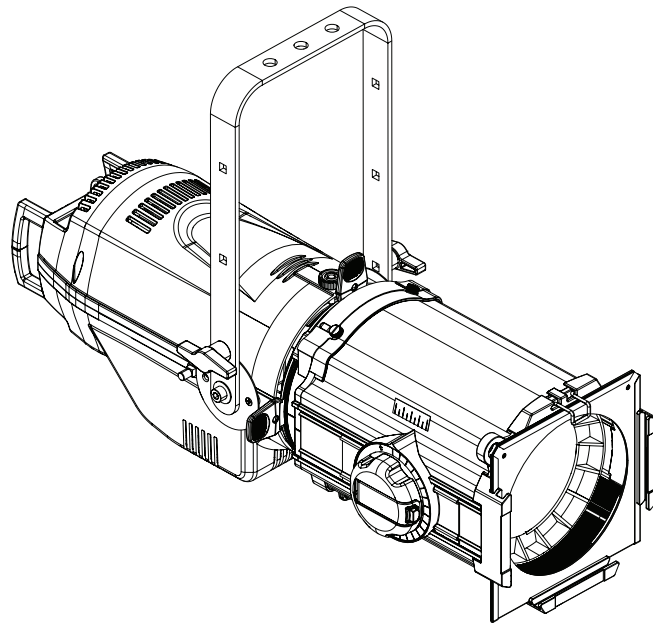


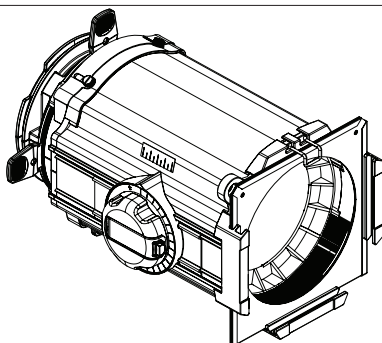


PROLiGHTS

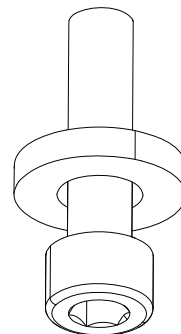
GUIDELINE FOR MOUNTING ECLLZ OPTICS ON ECLCTPLUS, ECLFS AND ECLFW

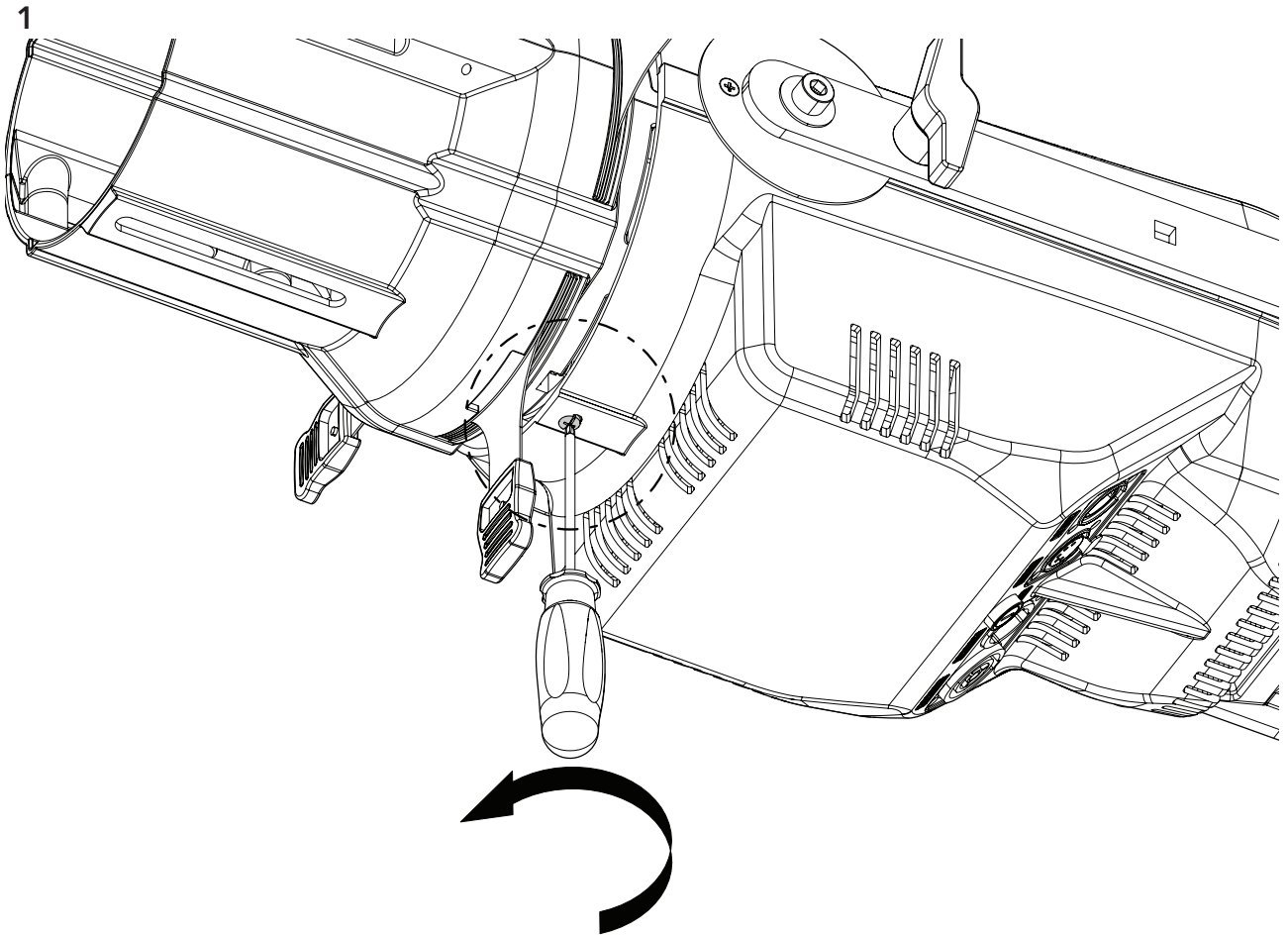


ECLLZ



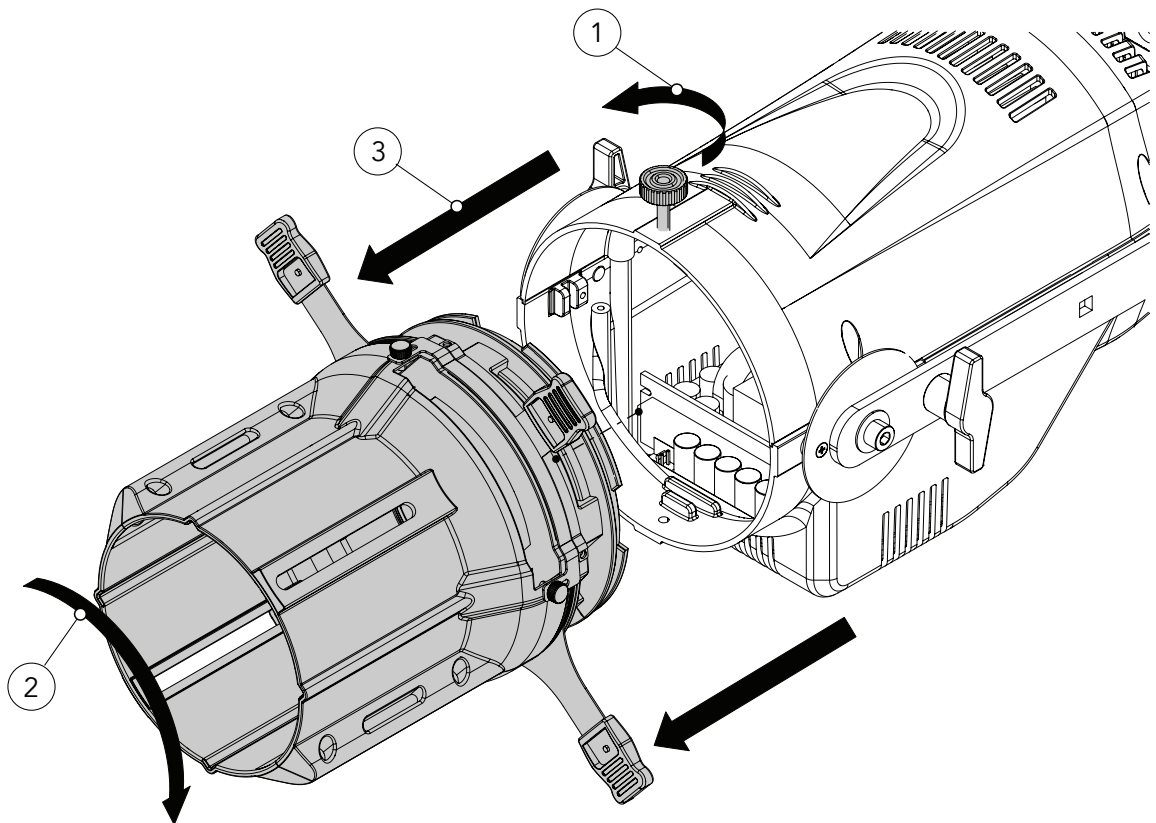
ECLLZLLKA



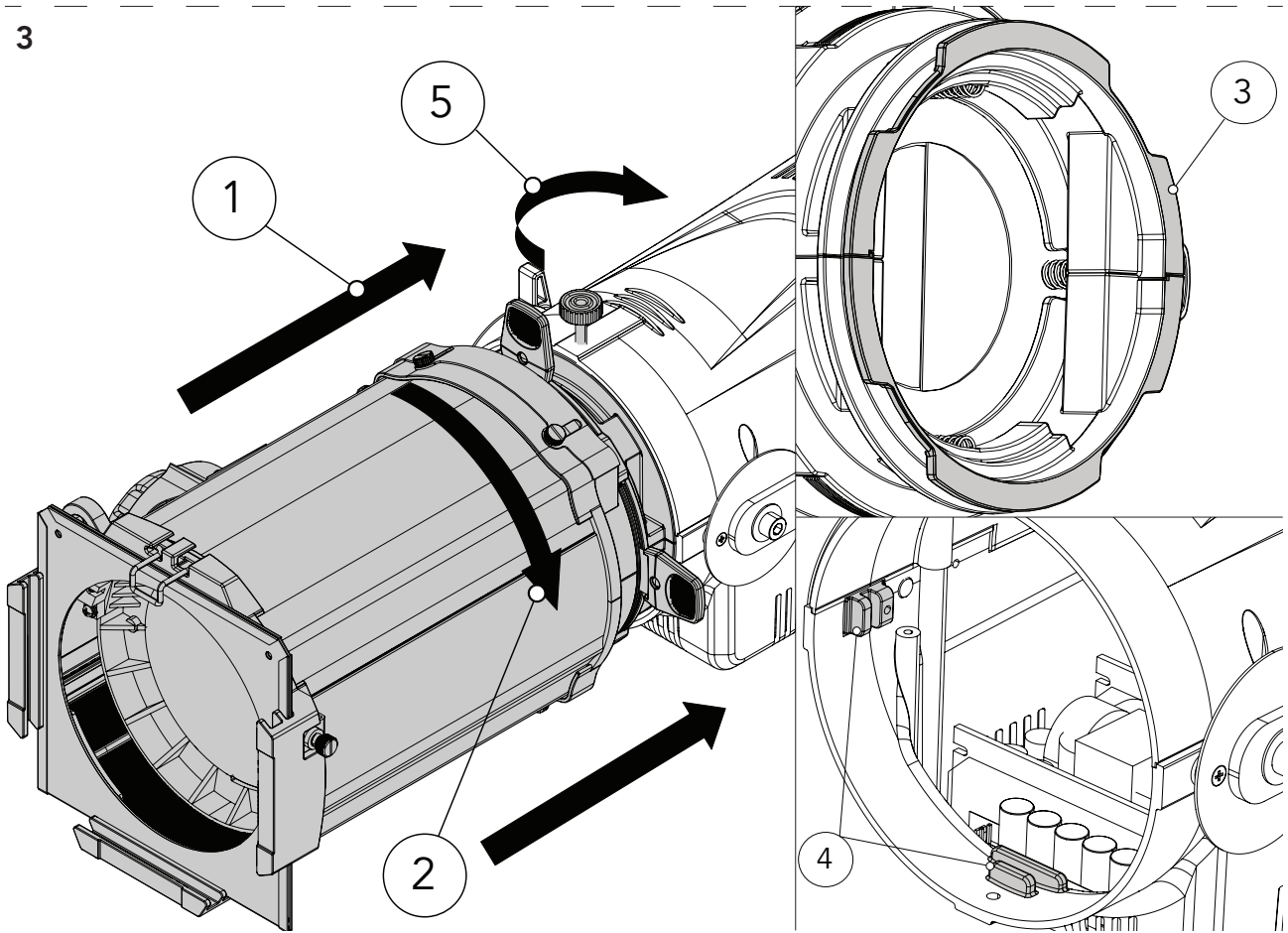


Loosen and remove the marked screw, available on the unit.

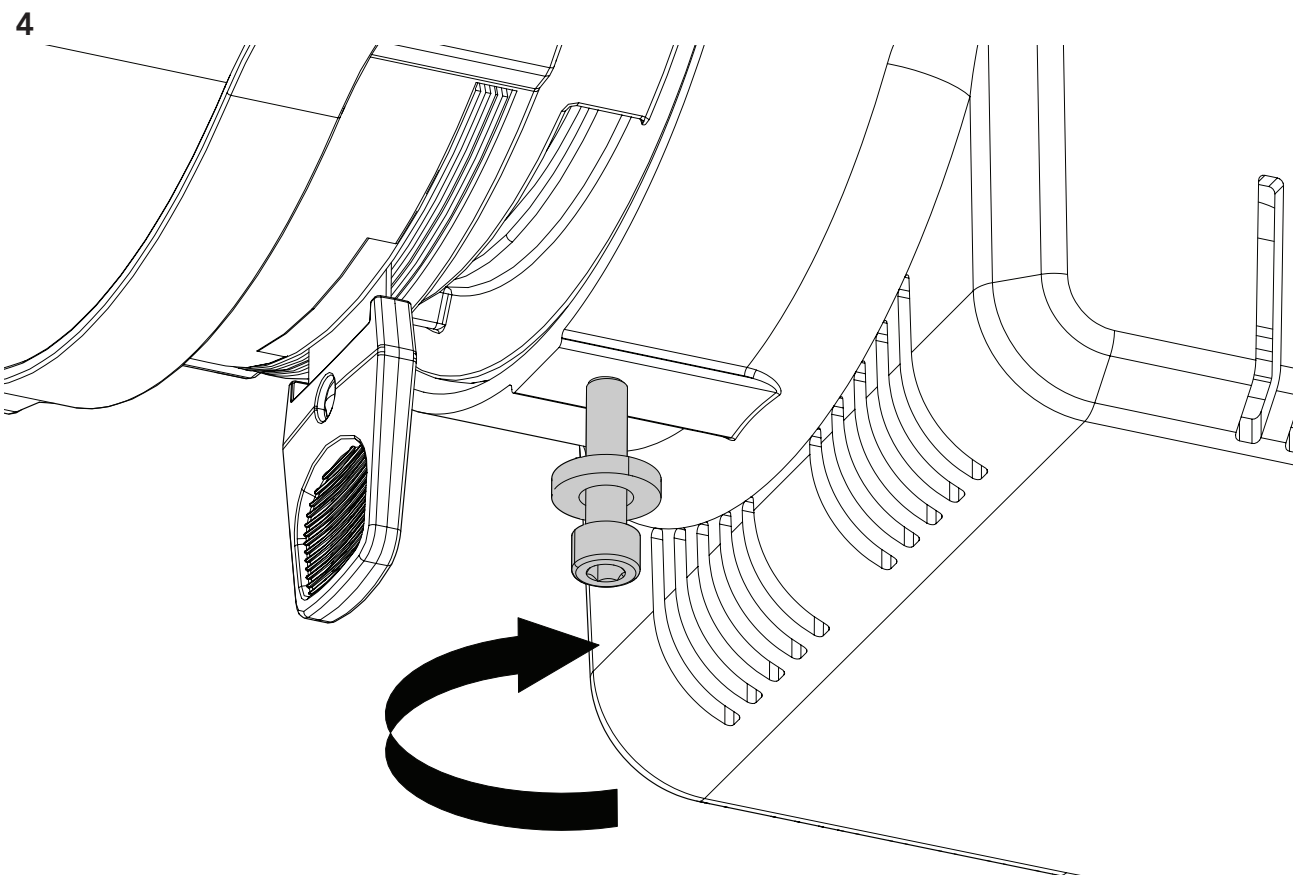
2



Remove the lock knob on the top of the unit (1). Then rotate (2) and remove the middle part (3).



Insert the optic, code ECLLZ, (1) and rotate it (2) so the grooves (3) of the optic coincides with the four slots of the unit (4). Then insert the lock knob on the top of the unit (5).



Insert and tighten the market screw and the washer (code ECLLZLLKA).