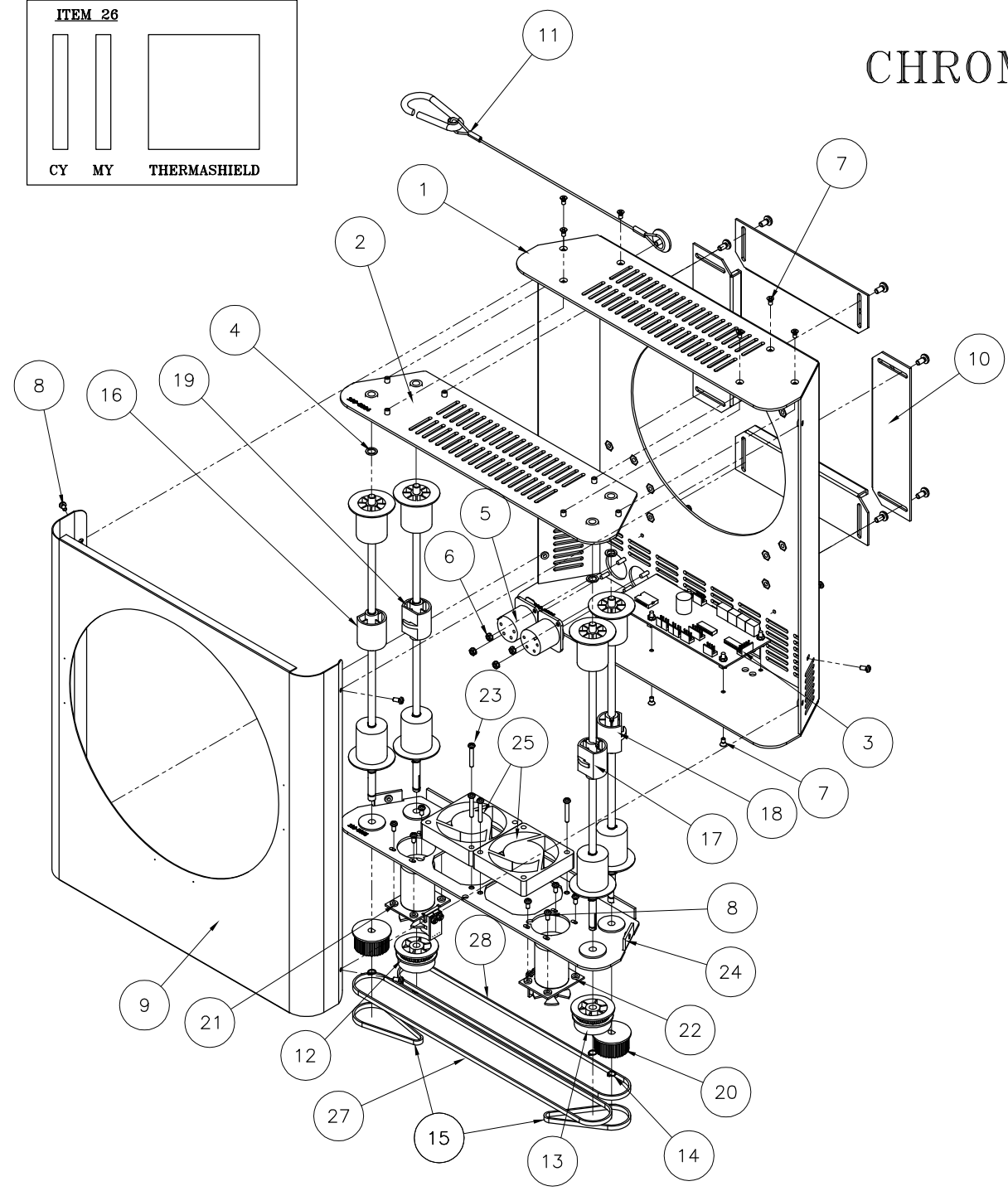
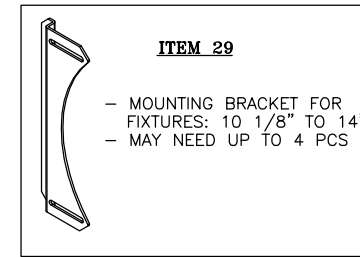


CHROMA-Q CASCADE



29	BRACKET MNTG 10"-14"	110-059	1
28	BELT TIMING T2.5-540	900-0662	1
27	BELT TIMING T2.5-600	900-0675	1
26	GEL KIT CASCADE	109-0033	1
25	FAN ASSY 1X 60x60	900-1203	2
24	MOTOR SHELF C/W BEARINGS	109-0028	1
23	SCREW M3x20 PH PLPS Bik	900-0043	4
22	S/A MOTOR RH	109-0025	1
21	S/A MOTOR LH	109-0022	1
20	PULLEY TIMING 36 TEETH	107-0005	2
19	S/A SPRING SHAFT BACK	109-0019	1
18	S/A FIXED SHAFT BACK	109-0018	1
17	S/A SPRING SHAFT FRT	109-0017	1
16	S/A FIXED SHAFT FRT	109-0016	1
15	BELT TIMING T2.5-160	900-0676	2
14	RET RING EXT 6mm	900-0501	4
13	S/A SPRING LH	109-0029	1
12	S/A SPRING RH	109-0030	1
11	SAFETY CHAIN ASSY KIT	900-0657	1
10	UNIVERSAL MNTG BRKT KIT	110-0143	2
9	COVER CASCADE	109-0026	1
8	SCREW M3x6 PH PLPS Bik	900-0017	22
7	SCREW M3x6 FH PLPS Bik	900-0004	10
6	NUT HEX M3 COMBI Bik	900-0307	4
5	XLR ASSY	900-0705	1
4	WASHER FLAT 0.260"ID Ni	900-0224	4
3	PCB COMPLETE CASCADE SMT	109-0036	1
2	TOP SHELF C/W BUSHING	109-0004	1
1	CHASSIS	109-0001	1
ITEM	DESCRIPTION	PART#	QTY

Parts List