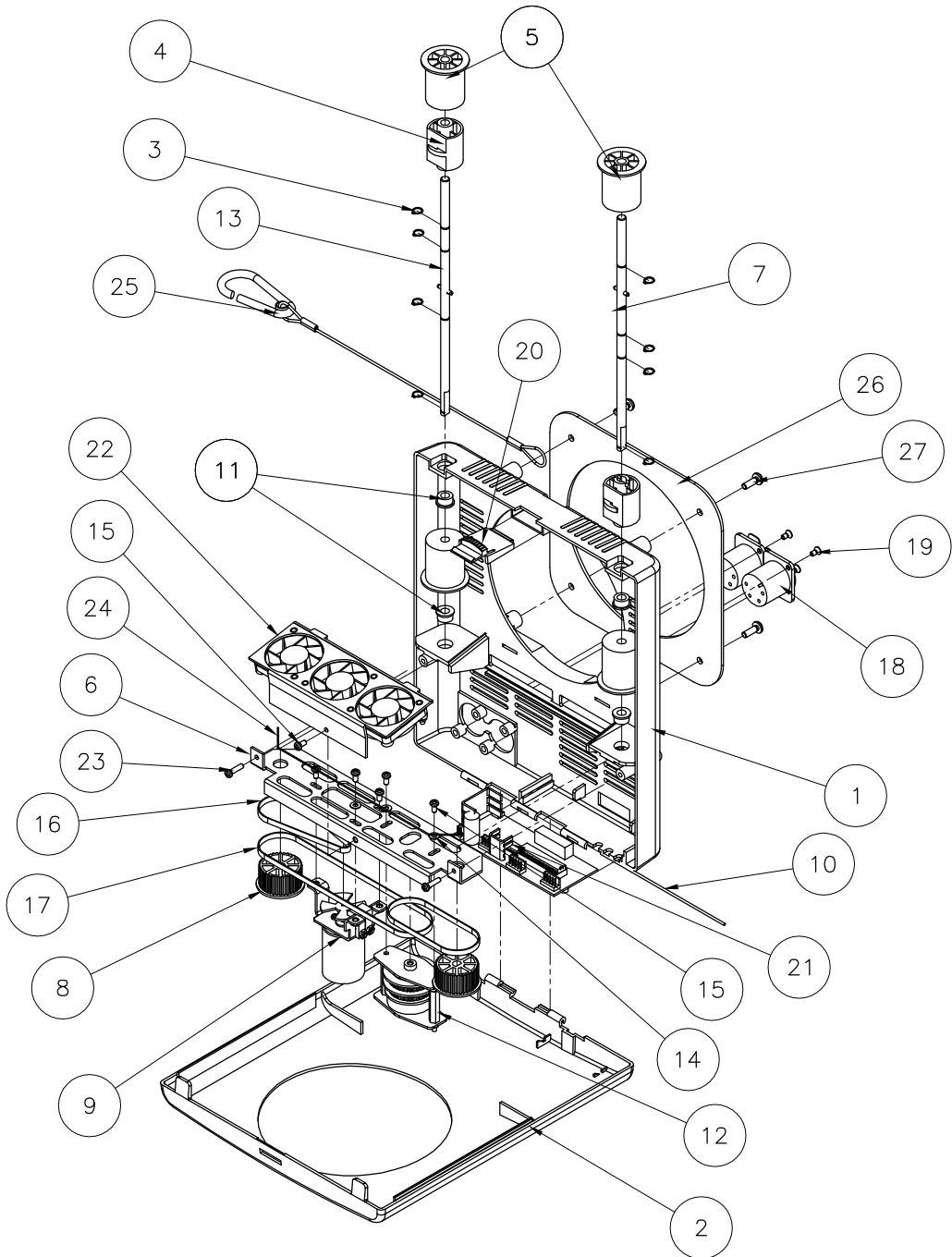


# CHROMA-Q BROADWAY



27	SCREW M4x12 PH PLPS Blk	900-0019	4
26	PLATE MNTG MP-10	110-0119	1
25	SAFETY CHAIN ASSY	900-0657	1
24	STATIC WIRE DISCHARGE CL7	107-0018	1
23	SCREW M3x12 PH PLPS Blk	900-0040	2
22	ASSY 3 FANS BROADWAY	900-1214	1
21	PCB MAIN	900-0911	1
20	LATCH BROADWAY	107-0008	1
19	SCREW M3x6 FH PLPS Blk	900-0004	4
18	ASSY XLR	100-0003	1
17	BELT TIMING 4T2.5-330	900-0681	1
16	BELT TIMING 4T2.5-177.5	900-0680	2
15	SCREW M3x6 PH PLPS Blk	900-0017	6
14	WASHER FLAT M3 Zn	900-0202	3
13	S/A DRIVE SHAFT - LEFT	107-0025	1
12	TENSIONER S/A	107-0024	1
11	BUSHING 6mm	107-0009	4
10	PIN HINGE 1/16"x4 1/2"	900-0404	1
9	MOTOR ASSY	107-0023	1
8	PULLEY TIMING 36 TEETH	107-0005	2
7	S/A DRIVEN SHAFT - RIGHT	107-0026	1
6	PLATE DRIVE MODULE	107-0020	1
5	HUB GEL REEL FLANGE	107-0006	4
4	ANCHOR GEL REEL	107-0007	2
3	RET RING EXT 6mm	900-0501	8
2	CASE FRONT BROADWAY	107-0002	1
1	CASE REAR BROADWAY	107-0001	1
ITEM	DESCRIPTION	PART#	QTY
Parts List			