



The Follow-Me Track-iT Weatherproof anchor is part of the Follow-Me Track-iT system, allowing for precise and real-time tracking of performers, even in outdoor settings. Place multiple anchors throughout the performance area, which receive continuous information from the Follow-Me Track-iT tags on the performer. This product is IP65 compliant, designed to enhance tracking capabilities in outdoor environments, making it an ideal solution for events, concerts, and installations exposed to the elements. Its EtherCON connectors are used to connect and power the anchors over a PoE switch, and the anchors can be daisy chained.

SPECIFICATIONS

- Ultra-Wideband transceiver
- IP65 Compliant*
- Integrated omni-directional UWB antenna
- Integrated Motion Processing Unit
- Integrated 10/100 Managed switch
- Identified remotely with LED indicators

Connectivity:

- 2x EtherCON TOP
- Daisy-chain (up to 8) Standard Chainable POE 802.3af

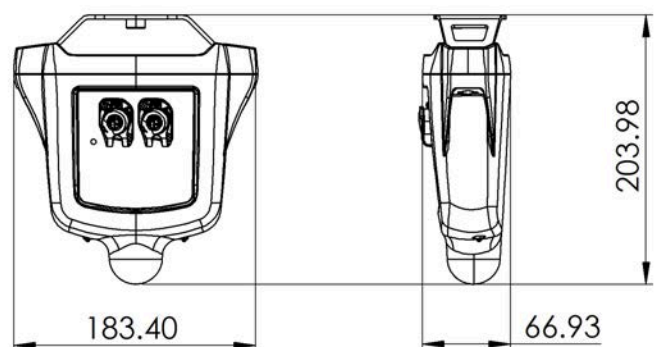
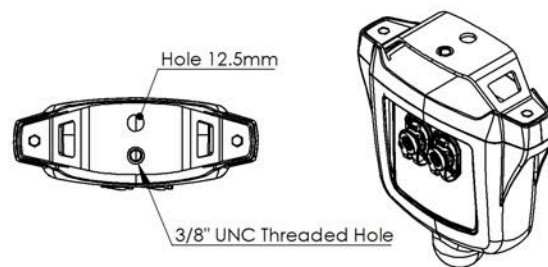
Mounting:

- 12.5mm hole
- 3/8 inch UNC threaded hole

- Weight: 0.63kg
- Weight boxed: 0.74kg

- FCC certified
- CE marked

* IP integrity is maintained using Ethercon TOP series cables.



Dimension unit: millimetre

INDEPENDENT • FLEXIBLE • SCALABLE

FOLLOW-ME
TRACKING SOLUTIONS