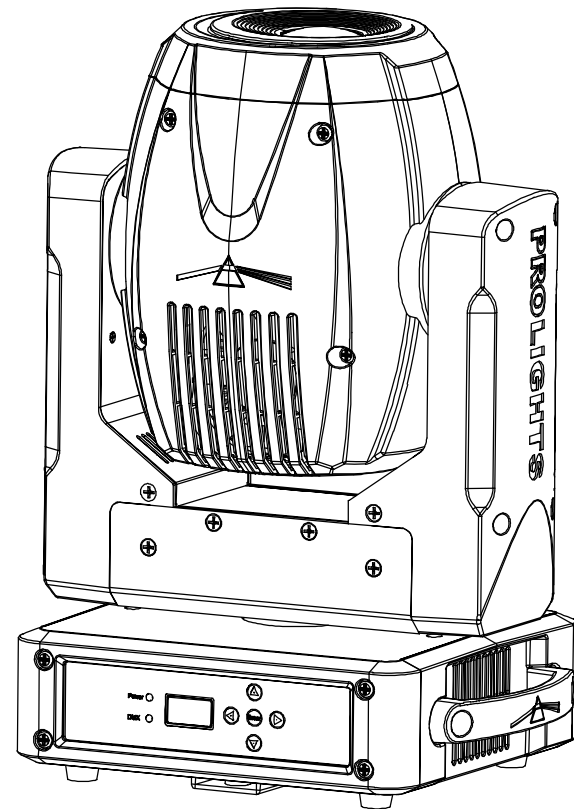


All dimensions are in mm/in



		Drawing number	
Title PIXIESPOT		Draw description	
Date 26-08-2017	Revision N. 001	Sheet 01	of 01
Checked			
Duplication of this drawing, either full or in part, is strictly prohibited without prior written authorization of Prolights			