



The Follow-Me Camera Set includes the Follow-Me Camera Box, camera and 3 lenses. This is used to provide a live camera image into Follow-Me 3D system. The Follow-Me Camera Box is a sturdy case that allows you to keep your camera in the truss. The camera can be easily mounted on top of the camera box, with the 360° ball joint head.

The back of the camera box can fit two cables, one PowerCON in, as well as an XLR-5 specifically for remote camera menu control in Follow-Me 3D via the Follow-Me Rack server.

SPECIFICATIONS

Set includes:

- Follow-Me Camera Box + camera + lenses
- Lenses: 2.3mm / 2.8mm / 4mm
- Two lens locking rings

Connectivity:

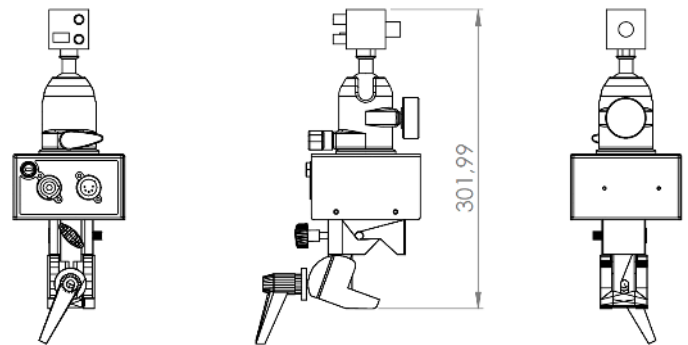
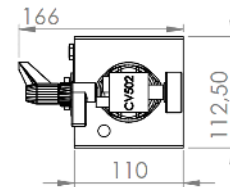
- XLR-5
- PowerCON
- SDI (for Camera)
- Input voltage: VAC: 90V AC to 264V AC
- Output voltage: 12V
- Max output power: 25W
- Weight: 2.20kg
- Weight boxed: 2.35kg
- Operating temperature range: -20 to 60°C (non-condensing)



XLR-5

PowerCON

Dimensions in mm



INDEPENDENT • FLEXIBLE • SCALABLE

FOLLOW-ME
TRACKING SOLUTIONS