

8 7 6 5 4 3 2 1

F

F

E

E

D

D

C

C

B

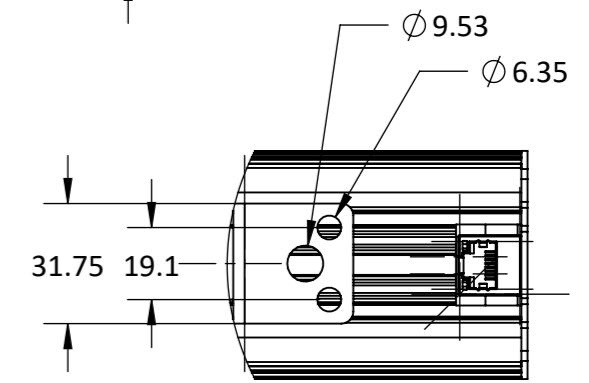
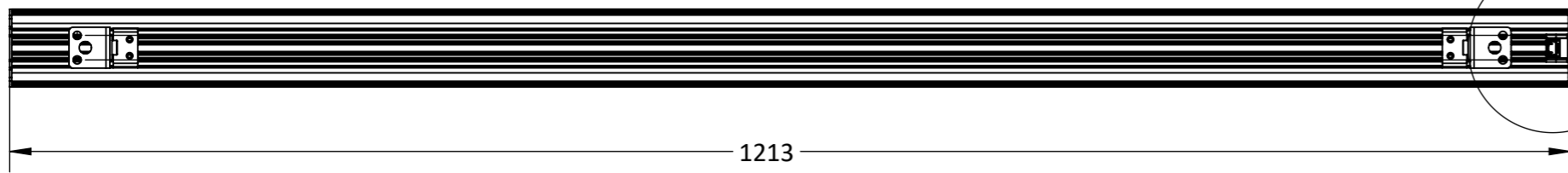
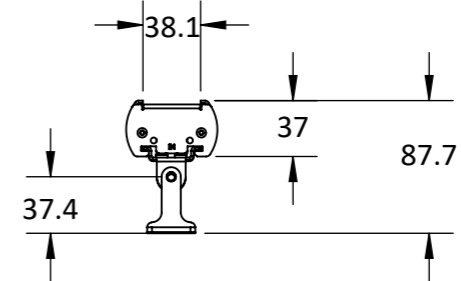
B

A

A



SLIDING LEGS



DETAIL A  
SCALE 1 : 2

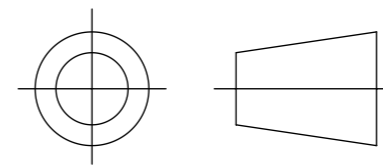


ALL INFORMATION CONTAINED IN THIS DOCUMENT IS PROPERTY OF CHROMA-Q AND MAY NOT BE REPRODUCED IN WHOLE OR PART WITHOUT PERMISSION OF CHROMA-Q

UNLESS OTHERWISE SPECIFIED ALL DIMENSIONS ARE IN MM [INCHES]

TITLE:  
**COLOR SPAN 2 L01.2**

THIRD ANGLE PROJECTION



SIZE <b>A3</b>	PART NO. <b>633-1001</b>	REV -
-------------------	-----------------------------	----------

SCALE: 1:5	WEIGHT:	SHEET 1 OF 1
------------	---------	--------------

8 7 6 5 4 3 2 1