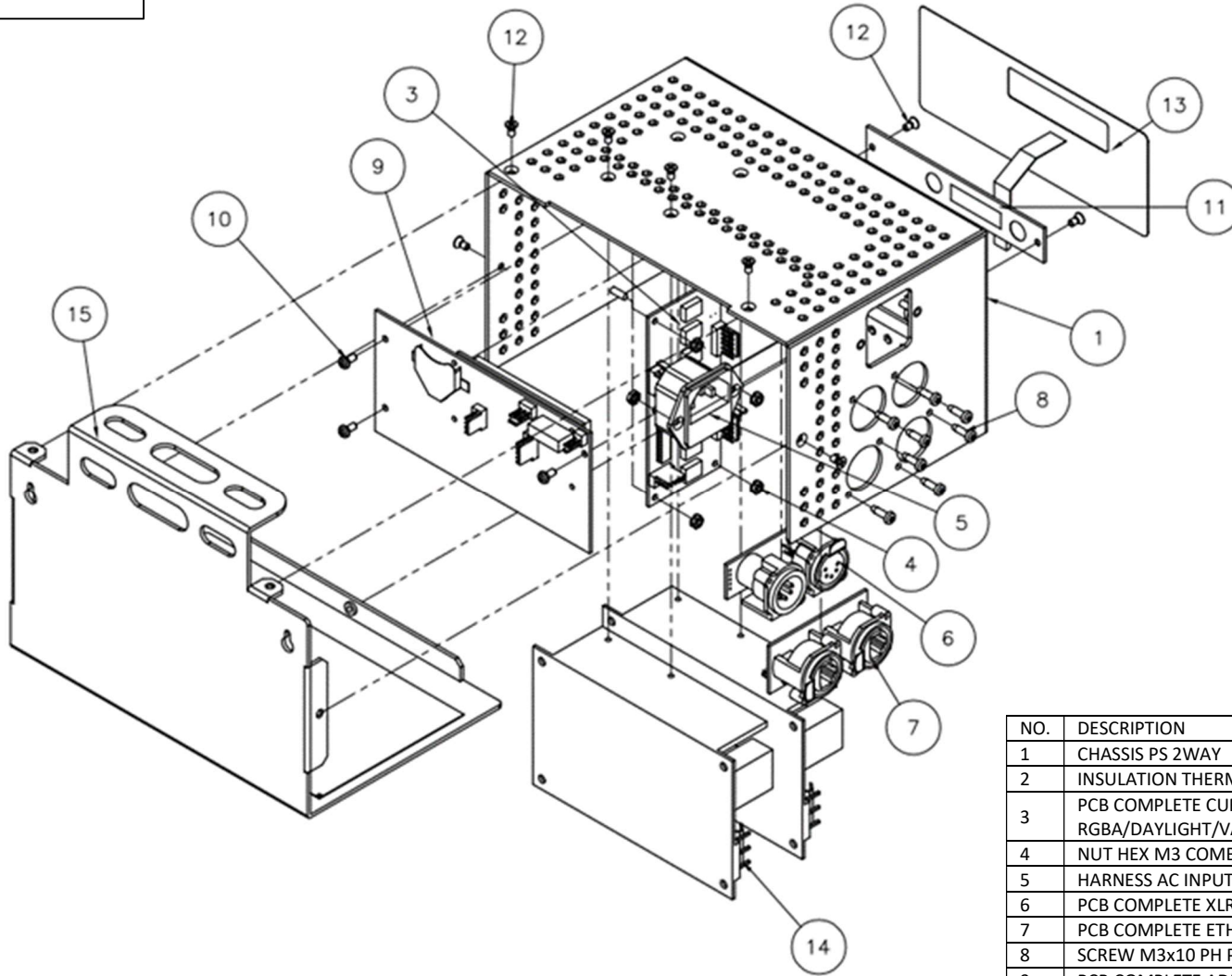


REV B



## COLOR SPAN PS 02

NO.	DESCRIPTION	P/N	QTY.
1	CHASSIS PS 2WAY	617-0027	1
2	INSULATION THERMALLY CONDUCTIVE 150mm WIDE, 2"	900-2013	1
3	PCB COMPLETE CURRENT CONTROL RGBA/DAYLIGHT/VARIABLE/UV	617-00XX 41/42/43/50	1
4	NUT HEX M3 COMBI Blk	430-3203-0	8
5	HARNESS AC INPUT PS-05B	100-0056	1
6	PCB COMPLETE XLR5 PS02 COLOR SPAN	617-0036	1
7	PCB COMPLETE ETHERCON/STRIP	617-0009	1
8	SCREW M3x10 PH PLPS BLK Plastite	429-1208-9	8
9	PCB COMPLETE ADDRESSING PSU STRIP	617-0013	1
10	SCREW M3x6 PH PLPS Blk	430-1206-0	3
11	PCB COMPLETE CAP SENSE	617-0022	1
12	SCREW M3x6 FH PLPS Blk	430-1106-0	9
13	OVERLAY PSU STRIP	617-0014	1
14	POWER SUPPLY UNIT 16V (Brown O-ring)/ 32V (Orange)/ 48V (Yellow)	900-XXXX 1078/2026 /0642	2
15	COVER PS 2WAY	617-0028	1
16	FUSE 5/20MM 3A GMA	900-0909	2
17	JUMPER ETHERCON TO CUR_CTRL 15"	617-0024	1
18	JUMPER ETHERCON TO CUR_CTRL 10"	617-0025	1
19	HARNESS POWER STAGE SWITCH 9"	100-0042	1
20	GROUND CHASSIS TO COVER PSU-08	139-0013	1
21	JUMPER INTERCONNECT PS02	100-0039	1