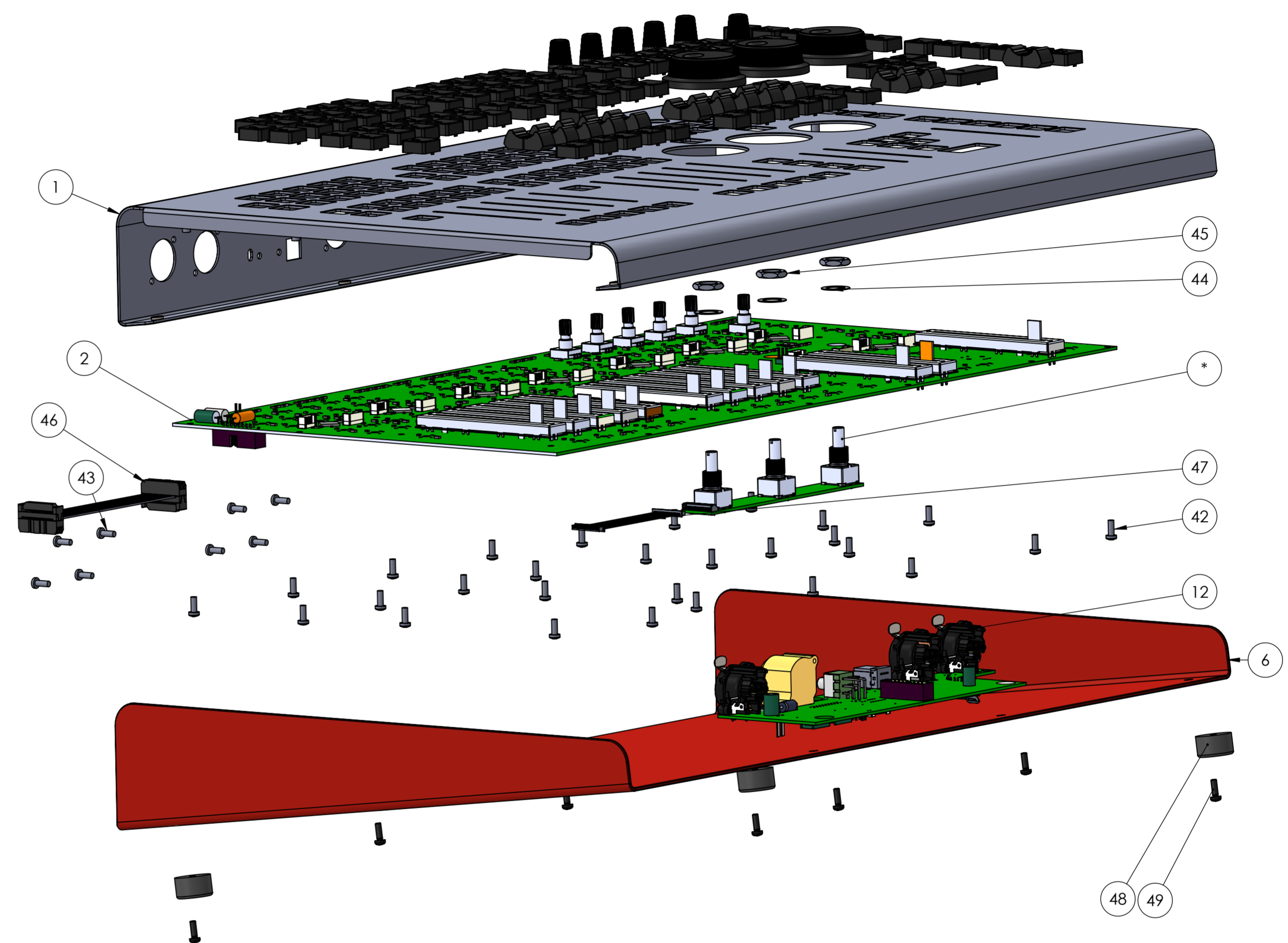
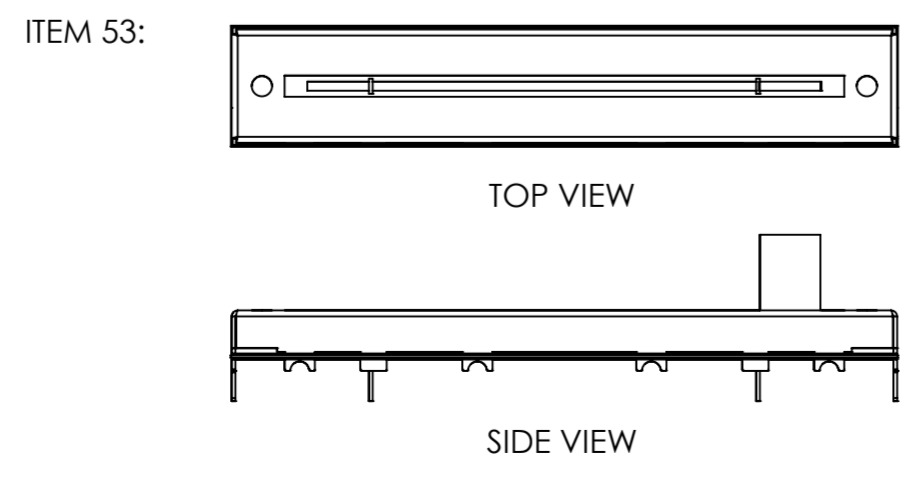
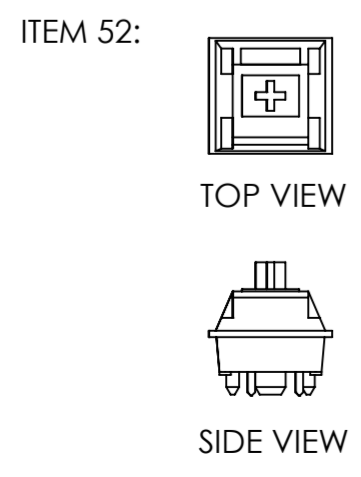


| ITEM NO. | PART NUMBER | DESCRIPTION | Revision | QTY. |
|----------|-------------|---|----------|------|
| 1 | 676-0501 | SUB-ASSEMBLY CHASSIS COVER & OVERLAY FR VISTA EX | B | 1 |
| 2 | 676-0202 | COMPLETE, FRONT PANEL, VISTA EX | A | 1 |
| 3 | 987-0014 | WORK FOR 676-0103, ENCODER BOARD, VISTA EX | A | 1 |
| 4 | 1922-0010 | SW CAP, CHERRY MX CUSTOM, VISTA3 SELECT | A | 20 |
| 5 | 1922-0009 | SW CAP, CHERRY MX CUSTOM, VISTA3 PLAY | A | 20 |
| 6 | 676-0002 | CHASSIS BASE, VISTA EX, CONSOLE | F | 1 |
| 7 | 1922-0005 | SW CAP, CHERRY MX CUSTOM, VISTA3 ASTERISK | A | 21 |
| 8 | 1922-0007 | SW CAP, CHERRY MX CUSTOM, VISTA3 UP ARROW | A | 4 |
| 9 | 1922-0006 | SW CAP, CHERRY MX CUSTOM, VISTA3 DOWN ARROW | A | 4 |
| 10 | 1922-0037 | SW CAP, CHERRY MX CUSTOM, VISTA3 INFO | A | 2 |
| 11 | 1922-0034 | ENC KNOB VISTA3 SMALL | A | 6 |
| 12 | 676-0201 | COMPLETE, CPU BOARD, VISTA EX | B | 1 |
| 13 | 1922-0008 | SW CAP, CHERRY MX CUSTOM, VISTA3SOLID SQUARE | A | 12 |
| 14 | 1922-0012 | SW CAP, CHERRY MX CUSTOM, VISTA3 EXPAND | A | 1 |
| 15 | 1922-0011 | SW CAP, CHERRY MX CUSTOM, VISTA3 MENU | A | 1 |
| 16 | 1922-0013 | SW CAP, CHERRY MX CUSTOM, VISTA3 LEFT ARROW | A | 1 |
| 17 | 1922-0014 | SW CAP, CHERRY MX CUSTOM, VISTA3 RIGHT ARROW | A | 1 |
| 18 | 1922-0035 | ENC KNOB VISTA3 LARGE | A | 3 |
| 19 | 1922-0001 | SW CAP, CHERRY MX CUSTOM, VISTA3 MODIFIER RED | A | 1 |
| 20 | 1922-0002 | SW CAP, CHERRY MX CUSTOM, VISTA3 MODIFIER YELLOW | A | 1 |
| 21 | 1922-0003 | SW CAP, CHERRY MX CUSTOM, VISTA3 MODIFIER GREEN | A | 1 |
| 22 | 1922-0004 | SW CAP, CHERRY MX CUSTOM, VISTA3 MODIFIER BLUE | A | 1 |
| 23 | 1922-0021 | SW CAP, CHERRY MX CUSTOM, VISTA3 F1 | A | 1 |
| 24 | 1922-0022 | SW CAP, CHERRY MX CUSTOM, VISTA3 F2 | A | 1 |
| 25 | 1922-0023 | SW CAP, CHERRY MX CUSTOM, VISTA3 F3 | A | 1 |
| 26 | 1922-0024 | SW CAP, CHERRY MX CUSTOM, VISTA3 F4 | A | 1 |
| 27 | 1922-0025 | SW CAP, CHERRY MX CUSTOM, VISTA3 F5 | A | 1 |
| 28 | 1922-0026 | SW CAP, CHERRY MX CUSTOM, VISTA3 F6 | A | 1 |
| 29 | 1922-0027 | SW CAP, CHERRY MX CUSTOM, VISTA3 F7 | A | 1 |
| 30 | 1922-0028 | SW CAP, CHERRY MX CUSTOM, VISTA3 F8 | A | 1 |
| 31 | 1922-0029 | SW CAP, CHERRY MX CUSTOM, VISTA3 F9 | A | 1 |
| 32 | 1922-0030 | SW CAP, CHERRY MX CUSTOM, VISTA3 F10 | A | 1 |
| 33 | 1922-0031 | SW CAP, CHERRY MX CUSTOM, VISTA3 F11 | A | 1 |
| 34 | 1922-0032 | SW CAP, CHERRY MX CUSTOM, VISTA3 F12 | A | 1 |
| 35 | 1922-0016 | SW CAP, CHERRY MX CUSTOM, VISTA3 FAST FORWARD | A | 1 |
| 36 | 1922-0017 | SW CAP, CHERRY MX CUSTOM, VISTA3 FAST REWIND | A | 1 |
| 37 | 1922-0020 | SW CAP, CHERRY MX CUSTOM, VISTA3 STEALTH | A | 1 |
| 38 | 1922-0018 | SW CAP, CHERRY MX CUSTOM, VISTA3 STEP FORWARD | A | 1 |
| 39 | 1922-0019 | SW CAP, CHERRY MX CUSTOM, VISTA3 STEP BACKWARD | A | 1 |
| 40 | 1922-0015 | SW CAP, CHERRY MX CUSTOM, VISTA3 PAUSE | A | 1 |
| 41 | 1922-0033 | SW CAP, CHERRY MX CUSTOM, VISTA3 PLAY LARGE | A | 1 |
| 42 | 430-1208-0 | SCREW M3x8 PH PLPS BLK | | 28 |
| 43 | 429-6210-0 | SCREW SELF TAP PH PLPS BLK ST2.9x9.5 RoHS | N/A | 8 |
| 44 | 1929-0001 | MISC WASHER LOCK ID10MM OD15MM | N/A | 3 |
| 45 | 1929-0002 | MISC NUT MOUNTING ID10MM THICK3MM | N/A | 3 |
| 46 | 1915-0001 | HARN B2B F-F HM1516ATB1 16POS 2ROW 0100 4.52" VISTA3 CX FLATCABLE ZPL6347 | A | 1 |
| 47 | 1915-0008 | HARN B2B F-F 1252-14 14POS 0049 2.7" VISTA EX FRONT-ENCODER BOARD | A | 1 |
| 48 | 318-5375-8 | FLAT TOP RECESSED BUMPER, RBM-0718-01 | A | 4 |
| 49 | 430-1210-0 | SCREW M3x10 PH PLPS BLK | | 8 |
| 50 | 1910-0002 | POT KNOB FADER, 11mm, BLACK | A | 13 |
| 51 | 900-0699 | SILICONE RTV 6702, WHITE | N/A | 1 |
| 52 | 1922-0036 | SW TH CHERRY MX MX1A-G1NB | N/A | 111 |
| 53 | 1910-0001 | POT TH FADER RS60N1161A06 | N/A | 13 |

| REVISIONS | | | |
|-----------|---------------|------------|----------|
| REV. | DESCRIPTION | DATE | APPROVED |
| A | FIRST RELEASE | 06/28/2019 | ENG |



ADDITIONAL COMPONENTS:



Chroma-Q
BRILLIANT SOLUTIONS

ALL INFORMATION CONTAINED IN THIS DOCUMENT IS PROPERTY OF CHROMA-Q AND MAY NOT BE REPRODUCED IN WHOLE OR PART WITHOUT PERMISSION OF CHROMA-Q

UNLESS OTHERWISE SPECIFIED ALL DIMENSIONS ARE IN MM [INCHES]

THIRD ANGLE PROJECTION

SIZE
A2

SCALE: 1:2

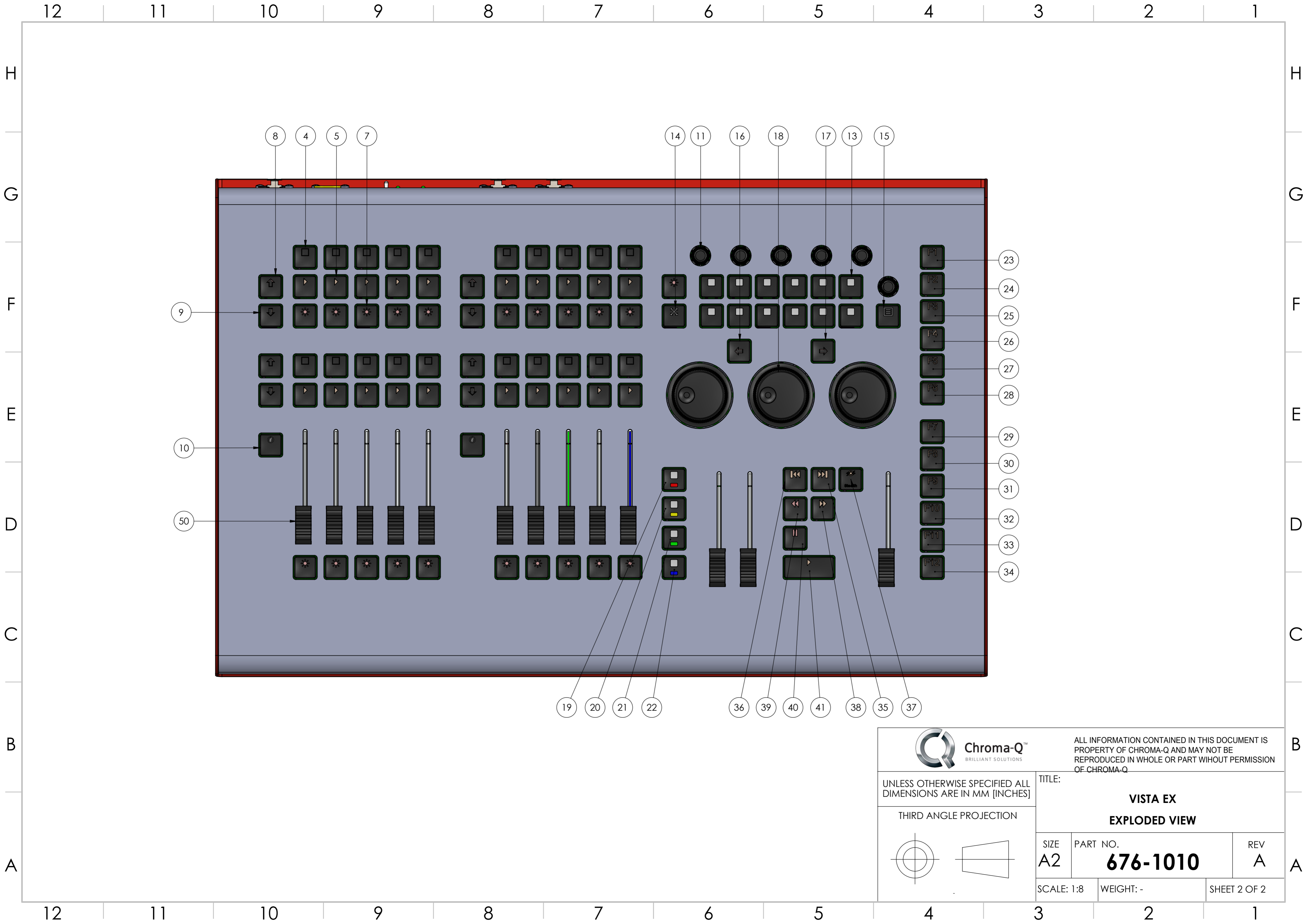
PART NO.
676-1010

WEIGHT: -

REV
A

SHEET 1 OF 2

TITLE:
**VISTA EX
EXPLODED VIEW**



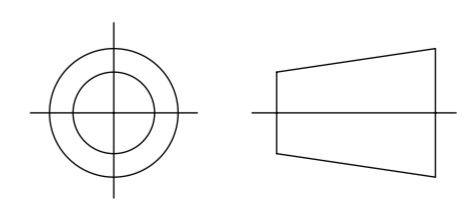
ALL INFORMATION CONTAINED IN THIS DOCUMENT IS PROPERTY OF CHROMA-Q AND MAY NOT BE REPRODUCED IN WHOLE OR PART WITHOUT PERMISSION OF CHROMA-Q

UNLESS OTHERWISE SPECIFIED ALL DIMENSIONS ARE IN MM [INCHES]

TITLE:

**VISTA EX
EXPLODED VIEW**

THIRD ANGLE PROJECTION



| | | |
|-------------------|-----------------------------|-----------------|
| SIZE A2 | PART NO. 676-1010 | REV A |
|-------------------|-----------------------------|-----------------|

SCALE: 1:8 WEIGHT: - SHEET 2 OF 2