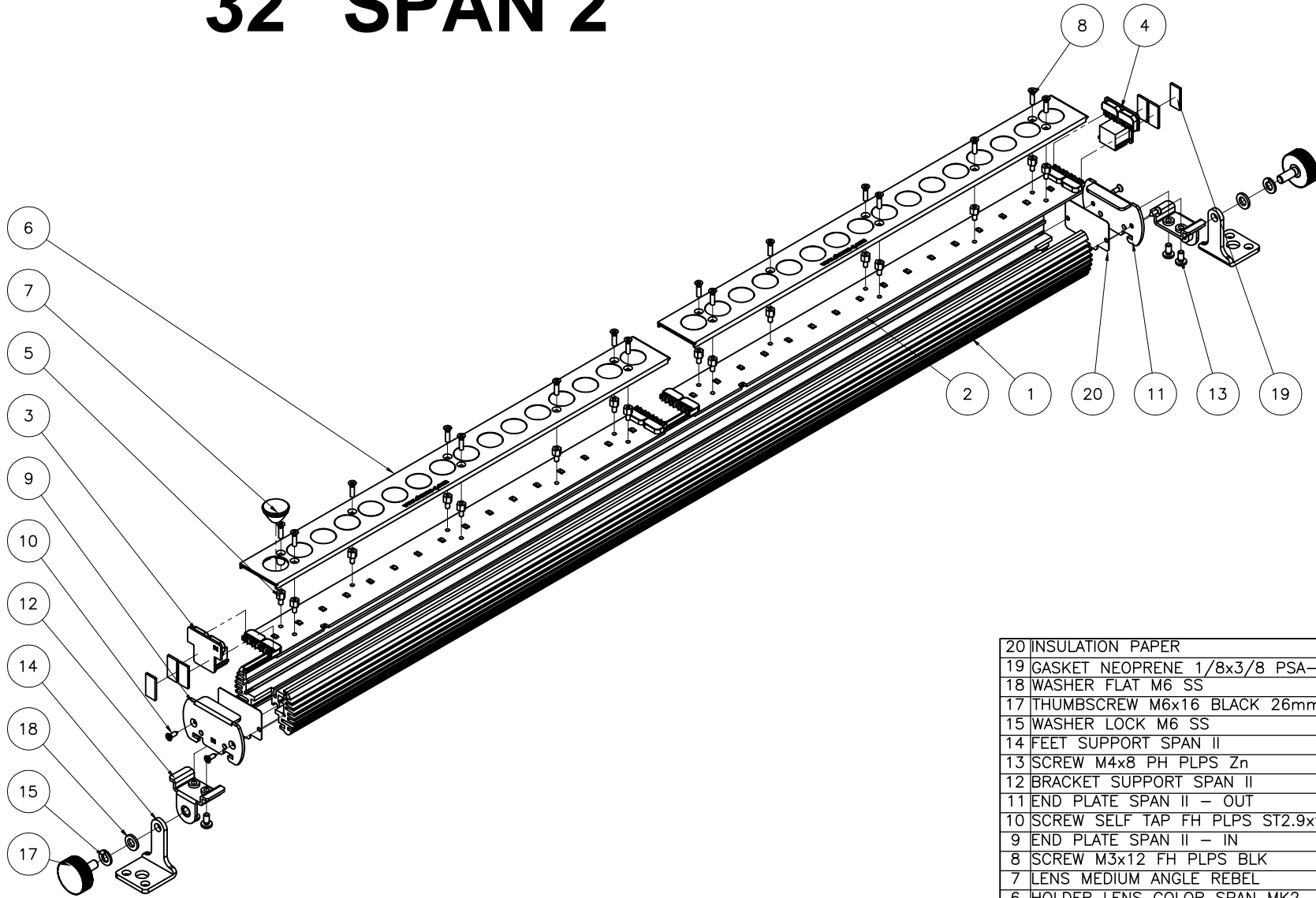


32" SPAN 2



DISCLAIMER: Dimensions and illustrative drawings contained herein are accurate to the company's knowledge at the time of printing, however specifications are subject to change without notice

20	INSULATION PAPER	633-0024	2
19	GASKET NEOPRENE 1/8x3/8 PSA- 3/4"	900-0663	6
18	WASHER FLAT M6 SS	460-2112-2	2
17	THUMBSCREW M6x16 BLACK 26mm DIA	900-0129	2
15	WASHER LOCK M6 SS	460-2812-2	2
14	FEET SUPPORT SPAN II	633-0006	2
13	SCREW M4x8 PH PLPS Zn	440-1208-1	4
12	BRACKET SUPPORT SPAN II	633-0005	2
11	END PLATE SPAN II - OUT	633-0007	1
10	SCREW SELF TAP FH PLPS ST2.9x9.5 SS	430-6110-2	4
9	END PLATE SPAN II - IN	633-0004	1
8	SCREW M3x12 FH PLPS BLK	430-1112-0	16
7	LENS MEDIUM ANGLE REBEL	200-0002	32
6	HOLDER LENS COLOR SPAN MK2	612-0050	2
5	STD OFF M3 NUTx5, SCREW M3x6	430-4105-1	16
4	PCB COMPLETE 612 OUT	612-0057	1
3	PCB COMPLETE 612 IN	612-0056	1
2	PCB COMPLETE LEDS SPAN II	633-0200	2
1	EXTRUSION SPAN II 32" SILVER	633-0015	1
ITEM	DESCRIPTION	PART#	QTY

Parts List