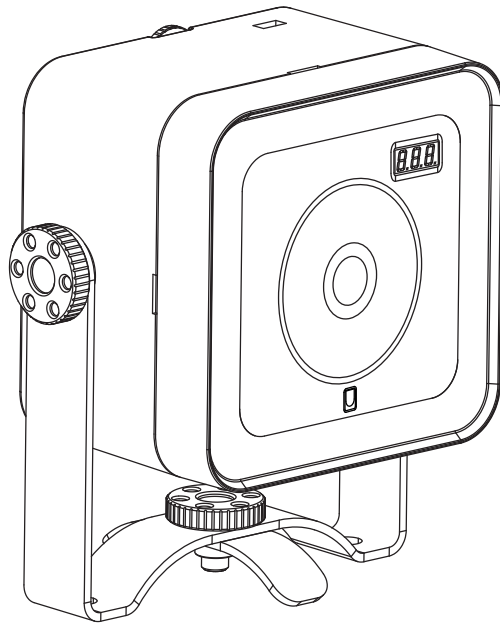


# DOTQPACK

PORTABLE BATTERY-POWERED  
UPLIGHTER



USER MANUAL

All rights reserved by PROLIGHTS No part of this instruction manual may be reproduced in any form or by any means for any commercial use.

In order to improve the quality of products, PROLIGHTS reserves the right to modify the characteristics stated in this instruction manual at any time and without prior notice.

All revisions and updates are available in the 'manuals' section on site [www.prolightsamerica.com](http://www.prolightsamerica.com)

**TABLE OF CONTENTS****Safety**

General instructions .....	2
Warnings and installation precautions .....	2

**1 Introduction**

1.1 Description .....	3
1.2 Technical specifications .....	3
1.3 Operating elements and connections .....	5

**2 Installation**

2.1 Mounting .....	6
--------------------	---

**3 Functions and settings**

3.1 Operation .....	7
3.2 Basic setup .....	7
3.3 Recharge .....	8
3.4 Menu structure .....	8
3.5 IR setup .....	8
3.6 Status display .....	10
3.7 Operation with WIFI .....	11
3.8 Lumenradio wireless DMX Pairing and reset .....	11
3.9 DMX channels .....	12
3.10 Remote device management .....	12

**4 Maintenance**

4.1 Maintenance and cleaning the unit .....	13
---	----




**WARNING! Before carrying out any operations with the unit, carefully read this instruction manual and keep it with care for future reference. It contains important information about the installation, usage and maintenance of the unit.**




## SAFETY

### General instruction

- The products referred to in this manual conform to the European Community Directives and are there-

fore marked with  and approved for the North American Market. 

- Supply voltage of this product is DC24V; never connect directly to AC220V. Leave servicing to skilled personnel only. Never make any modifications on the unit not described in this instruction manual, otherwise you will risk an electric shock.
- Connection of the power adapter must be made to a power supply system fitted with efficient earthing (Class I appliance according to standard EN 60598-1). It is, moreover, recommended to protect the supply lines of the units from indirect contact and/or shorting to earth by using appropriately sized residual current devices.
- The connection to the main network of electric distribution must be carried out by a qualified electrical installer. Check that the voltage correspond to those for which the unit is designed as given on the electrical data label.
- This unit is not for home use, only professional applications.
- Never use the fixture under the following conditions:
  - in places subject to vibrations or bumps;
  - in places subject to excessive humidity.
- Make certain that no inflammable liquids, water or metal objects enter the fixture.
- Do not dismantle or modify the fixture.
- All work must always be carried out by qualified technical personnel. Contact the nearest sales point for an inspection or contact the manufacturer directly.
- If the unit is to be put out of operation definitively, take it to a local recycling plant for a disposal which is not harmful to the environment. 

### Warnings and installation precautions

- If this device will be operated in any way different to the one described in this manual, it may suffer damage and the guarantee becomes void. Furthermore, any other operation may lead to dangers like short circuit, burns, electric shock, etc.
- Before starting any maintenance work or cleaning the projector, cut off power from the main supply.
- Always additionally secure the projector with the safety rope. When carrying out any work, always comply scrupulously with all the regulations (particularly regarding safety) currently in force in the country in which the fixture's being used.
- Install the fixture in a well ventilated place.
- Keep any inflammable material at a safe distance from the fixture.
- Shields, lenses or ultraviolet screens shall be changed if they have become damaged to such an extent that their effectiveness is impaired.
- The lamp (LED) shall be changed if it has become damaged or thermally deformed.
- Never look directly at the light beam. Please note that fast changes in lighting, e. g. flashing light, may trigger epileptic seizures in photosensitive persons or persons with epilepsy.
- Do not touch the product's housing when operating because it may be very hot.

## - 1 - INTRODUCTION

### 1.1 DESCRIPTION

DOTQPACK is a bundle composed by 6pcs of DOTQ, IR remote controller, accessories and charger for the whole set - all included in a sturdy ABS case.

DOTQ is an ultra-compact, wireless, battery, LED accent luminaire designed to complement uplighting both inside and outside a room. The compact form factor and chrome finish allow it to be used anywhere that needs a "little lift" to finish off the perfect event design.

Box content

6 x hanging bracket

12 x air suckers

6 x eye bolt

6 x magnetic frost filter

6 x top hat

1 x IR controller

1 x battery charger for 6 DOTQ

24 pcs rubber feet

adjustable foot support

### 1.2 TECHNICAL SPECIFICATIONS

#### LIGHT SOURCE

- Source:1x15 W RGBW LEDs
- Luminous Flux:203 lm
- Lux:467 lux @3m Full
- Source Life Expectancy: >50.000 h

#### OPTICS

- Beam Angle:15 °
- Field Angle:23 °
- Additional Optics:Magnetic Frost filter included for wider diffusion

#### COLOR SYSTEM

- Color Mixing: RGBW/FC
- White Presets:2800-9000 K
- Color Wheel: Virtual color wheel with presets
- Macros: Built-in white presets

#### DYNAMIC EFFECTS

- Static Color Mode: Selection of static color
- Manual Color Mode: Manual adjustment of color
- Auto Mode: Built-in programs with execution speed adjustment

#### BODY

- Hardware On-board:Frost, foots, IR, charger, bracket
- Tilt Angle: ° Adjustable foot support for tilt regulation (up to 20°)
- Body: Sturdy polycarbonate body

- Body Color: Mirror finishing

### CONTROL

- Protocols: DMX512, RDM
- Dmx Channels: 5/9 ch
- Wireless connectivity: Included, LumenRadio CRMX receiver
- Display: 3-Chars display
- IR: IR remote controller for simple control, addressing and settings

### ELECTRONICS

- Dimmer: Linear 0~100% electronic dimmer
- Strobe/Shutter: 1-25 Hz, electronic
- Operating Temperature: 0° ~ +35°
- Flicker: Flicker free operation

### ELECTRICAL

- Power Supply: 100-240V – 50/60Hz

### BATTERY

- Battery: 11,1 V Lithium
- Battery life incolor change mode, up to: 16 h
- Battery life in full-on, up to: 6 h
- Recharge Connection: Power cable
- Recharge Time: 3 h/max
- Battery Status: LED battery status indicator

### PHYSICAL

- IP: For temporary outdoor use - IP65 (front) - IP54 (bottom)
- Cooling: Natural cooling of the peculiar chassis and to absence of fans
- Suspension And Fixing: Hanging bracket suitable for safe hanging and for floor positioning
- Dimensions (WxHxD): 88x88x63 mm
- Weight: 0,6 Kg

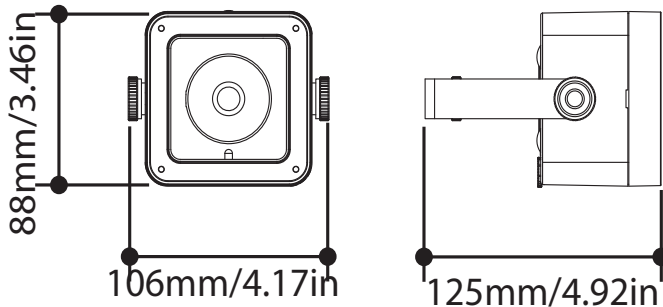


Fig.1

## 1.3 OPERATING ELEMENTS AND CONNECTIONS

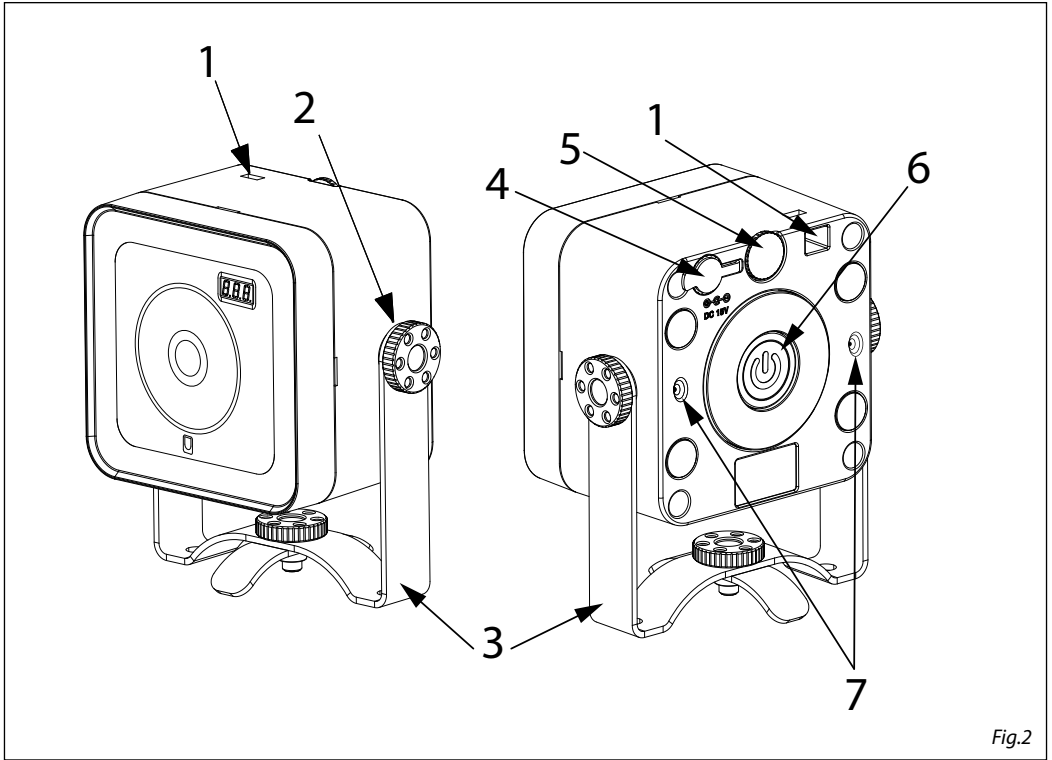


Fig.2

1. KENSINGTON KEY hole
2. LOCKING KNOB for the mounting bracket.
3. MOUNTING BRACKET
4. POWER IN
5. Adjustable foot support for tilt regulation
6. ON/OFF touch button.
7. M12 threaded hole

## - 2 - INSTALLATION

### 2.1 MOUNTING

DOTQ may be set up on a solid and even surface. The mounting place must be of sufficient stability and be able to support a weight of 10 times of the unit's weight.

When carrying out any installation, always comply scrupulously with all the regulations (particularly regarding safety) currently in force in the country in which the fixture's being used.

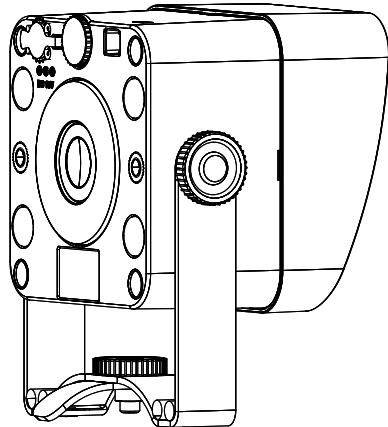


Fig. 3



## - 3 - FUNCTIONS AND SETTINGS

### 3.1 OPERATION

Switch on the DOTQ with the power switch. The unit is ready for operation and can be operated via a DMX controller or it independently performs its show program in succession. After operation, switch off the unit with the power switch.

### 3.2 BASIC SETUP

The DOTQ has a LED display used to DMX /RDM addressing and 3 status LEDs (p 3.6).

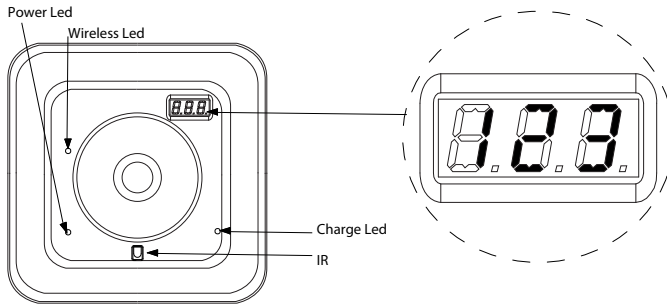


Fig. 4

### 3.3 RECHARGE

To recharge DOTQ:

- plug the power cable into a mains socket (100-240V ~ / 50-60Hz).
- connect the unit to the special battery charger through the lower connector
- If the light is connected to the charger, the CHARGE LED will turn on

NOTE - DOTQ's battery life is up to 16 h in color change mode and up to 6h in full-on white.  
Charging time: up to 3h.

### 3.4 MENU

To enter in the DOTQ's menu, use the IR controller included in the DOTQPACK.

With the IR controller you can:

- Power ON/OFF the light
- Setup the DMX address
- Setup the wireless DMX connection
- Select a static color
- Choose the dimmer of the light

### 3.5 CONTROLLER IR

Make sure to point the controller directly at the receiver on the product.

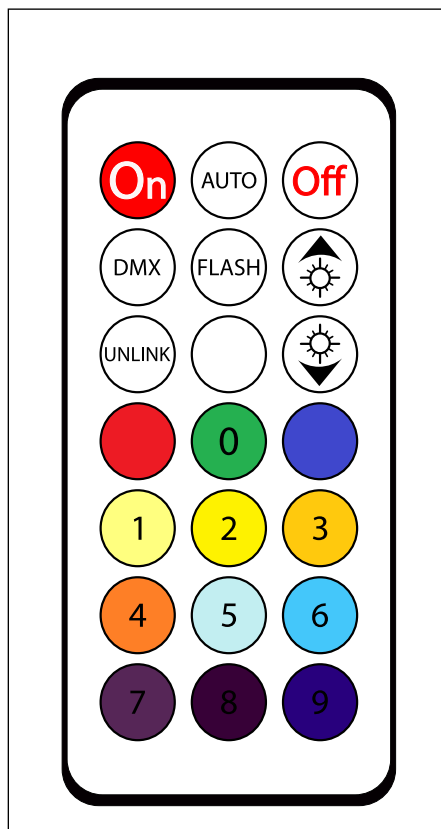


Fig. 5



Turn on the light  
Confirm DMX address.  
Confirm RDM\_ID.



Auto mode



Turn off the light.  
Exit DMX addressing.  
Exit RDM\_ID.



Press for 3 seconds to set a new  
DMX address



Strobe ON/OFF.  
Press for 3 seconds to modify  
the RDM\_ID



Dimmer UP.  
FLASH faster speed..  
AUTO MODE faster speed.



Press for 3 seconds to reset the  
Lumenradio integrated receiver.



White  
Full Color White



Dimmer DOWN.  
FLASH slower speed..  
AUTO MODE slower speed.



Red



Green  
Numeric keypad: 0



Blue



Light Yellow  
Numeric keypad: 1



Yellow  
Numeric keypad: 2



Dark Yellow  
Numeric keypad: 3



Amber  
Numeric keypad: 4



Light Blue  
Numeric keypad: 5



Sky Blue  
Numeric keypad: 6



Purple  
Numeric keypad: 7



Dark Purple  
Numeric keypad: 8



Dark Blue  
Numeric keypad: 9

### 3.6 STATUS DISPLAY

DOTQ has 3 status LEDs: Power LED for battery status, wireless LED for wireless connectivity status and Charge LED for recharge status.

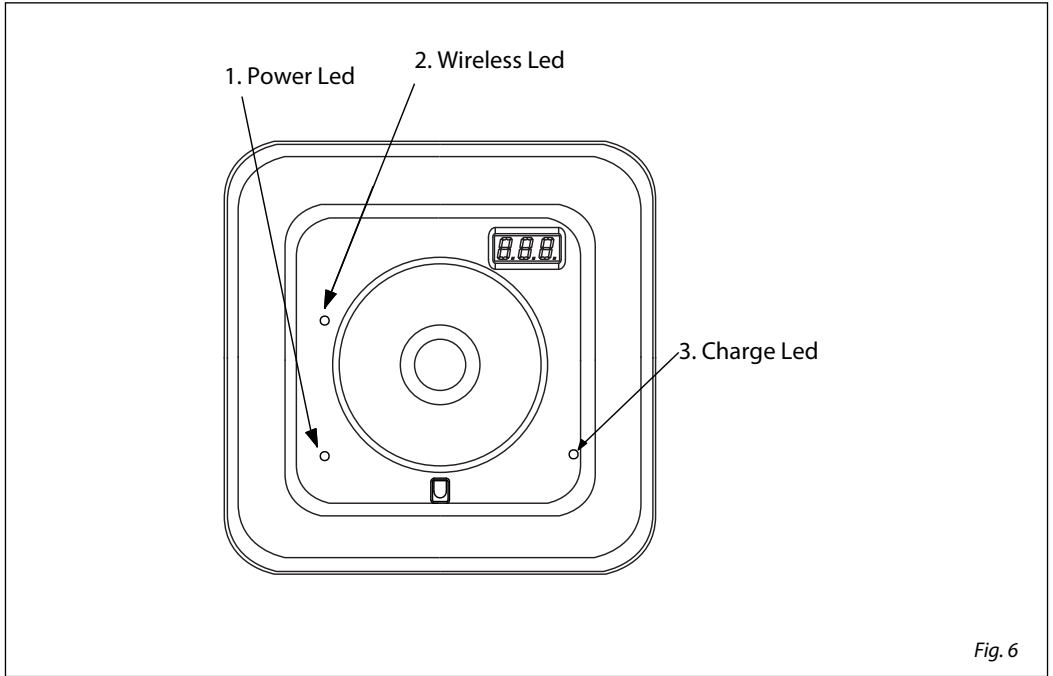


Fig. 6

#### 1. Power LED

Shows the battery status:



RED, battery < 30%



YELLOW, battery 30%~70%



GREEN, battery > 70%

#### 3. Charge LED



If the light is connected to the charger, the RED LED shows the battery status or is dark to indicate that charging has finished and the battery is full.

#### 2. Wireless LED

Shows the Lumenradio connection status:



LED OFF  
not assigned to a transmitter



SLOW FLASHING  
assigned to a transmitter, but no DMX present



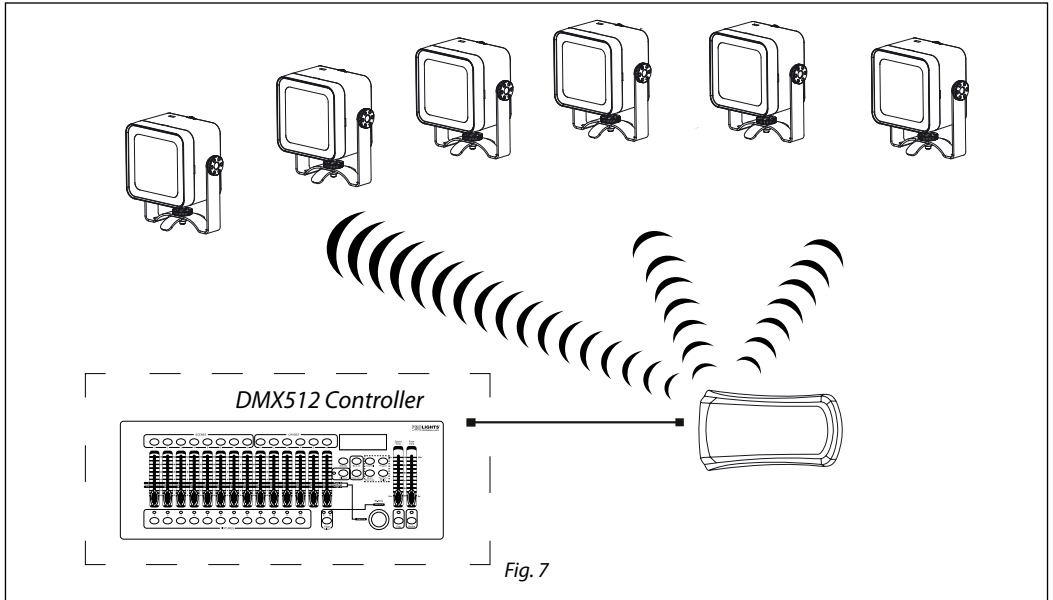
LED ON  
assigned to a transmitter and DMX present



FAST FLASHING  
link to transmitter lost or linking to transmitter

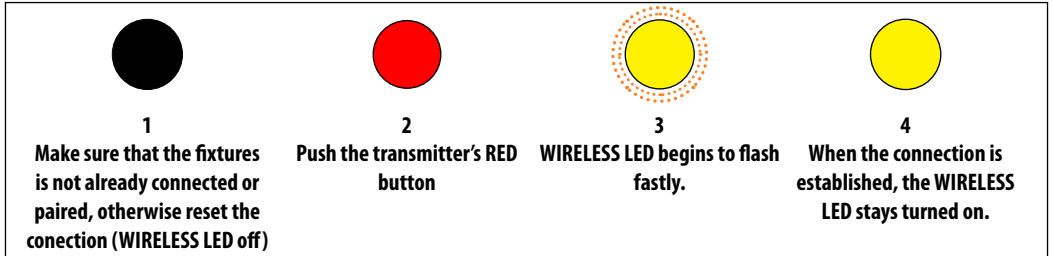
### 3.7 OPERATION WITH WIFI

This mode allows you to wirelessly connect more DOTQ units, all managed through a unit Lumenradio transmitter (sold separately).

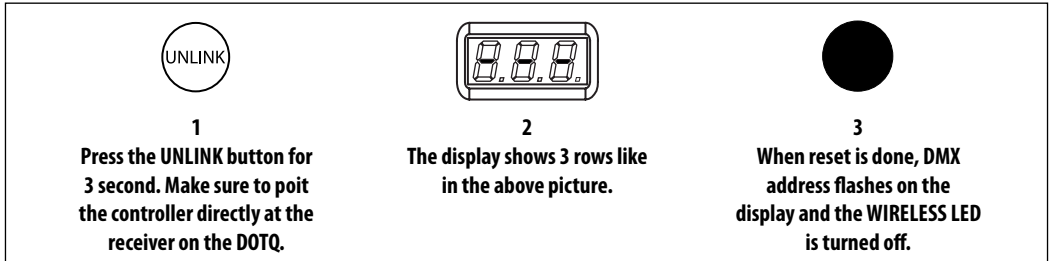


### 3.8 LUMENRADIO PAIRING AND RESET

Pairing with a Lumenradio transmitter:



Lumenradio receiver reset:



**3.9 CHANNELS DMX**

<b>STD 5ch</b>	<b>EXT 9ch</b>	<b>FUNCTION</b>	<b>DMX Value</b>
1	1	<b>DIMMER</b> 0~100%	000 - 255
2	2	<b>RED</b> 0~100%	000 - 255
3	3	<b>GREEN</b> 0~100%	000 - 255
4	4	<b>BLUE</b> 0~100%	000 - 255
5	5	<b>WHITE</b> 0~100%	000 - 255
	6	<b>MACRO</b> Black ~ Yellow	000 - 255
	7	<b>FADING</b> On Function Color Function Rainbow Rainbow (Plus White)	000 - 031 032 - 095 096 - 191 192 - 255
	8	<b>FADING SPEED</b> Speed slow to fast	000 - 255
	9	<b>SHUTTER</b> Strobe rate (slow to fast)	000 - 255

Default DMX mode: STANDARD 5ch - To change the DMX mode in EXTENDED 9ch use a RDM WIRELESS transmitter and a RDM controller. (info: support@musiclights.it)

**3.10 RDM - Remote Device Management**

This device is RDM ready. RDM stands for "Remote Device Management" and makes remote control of devices connected to the DMX-bus possible. Manual settings like adjusting the DMX starting address are no longer needed. This is especially useful when the device is installed in a remote area. If DMX splitters are used and RDM control is to be used, these splitters must support RDM. The number and type of RDM parameters depend on the RDM controller (not included) is used.

You can control DOTQ with RDM protocol using a RDM READY transmitter and a RDM controller or software.

## - 4 - MAINTENANCE

### 4.1 MAINTENANCE AND CLEANING THE UNIT

- Make sure the area below the installation place is free from unwanted persons during setup.
- Switch off the unit, unplug the main cable and wait until the unit has cooled down.
- All screws used for installing the device and any of its parts should be tightly fastened and should not be corroded.
- Housings, fixations and installation spots (ceiling, trusses, suspensions) should be totally free from any deformation.
- It is recommended to clean the front at regular intervals, from impurities caused by dust, smoke, or other particles to ensure that the light is radiated at maximum brightness. For cleaning, disconnect the main plug from the socket. Use a soft, clean cloth moistened with a mild detergent. Then carefully wipe the part dry. For cleaning other housing parts use only a soft, clean cloth. Never use a liquid, it might penetrate the unit and cause damage to it.

## Battery Guide

### New Lithium Battery Initialisation

---

Any new fixture containing a Lithium battery should be initialised when first purchased to maximise its battery life.

To do this:

1. Fully charge the unit for a minimum of 5 to 6 hours.
  2. Fully discharge, then fully recharge the battery.
  3. Repeat this cycle another 2 times for optimum battery life.
- 

### Maximizing Battery Performance

---

1. Lithium batteries perform best when in regular use. Long idle periods will reduce the battery life.
  2. Recharge the battery at the earliest opportunity, leaving batteries discharged for long periods will reduce battery life.
  3. Store units containing Lithium batteries at cool temperatures. High ambient temperatures significantly reduce the life of a Lithium battery.
  4. Disconnect power from the unit when charging is complete.
  5. Do not use fixtures whilst charging.
- 

### Long term storage

---

1. Charge your fixture's battery to around 50%. If you store a fixture with a fully discharged battery, it could fall into a deep discharge state. If you store it fully charged, the battery may lose some capacity, leading to shorter battery life.
2. Power down the device to avoid additional battery use.
3. Place your device in a cool, moisture-free environment that's less than 32° C (90° F).

