

8

7

6

5

4

3

2

1

F

F

E

E

D

D

C

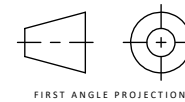
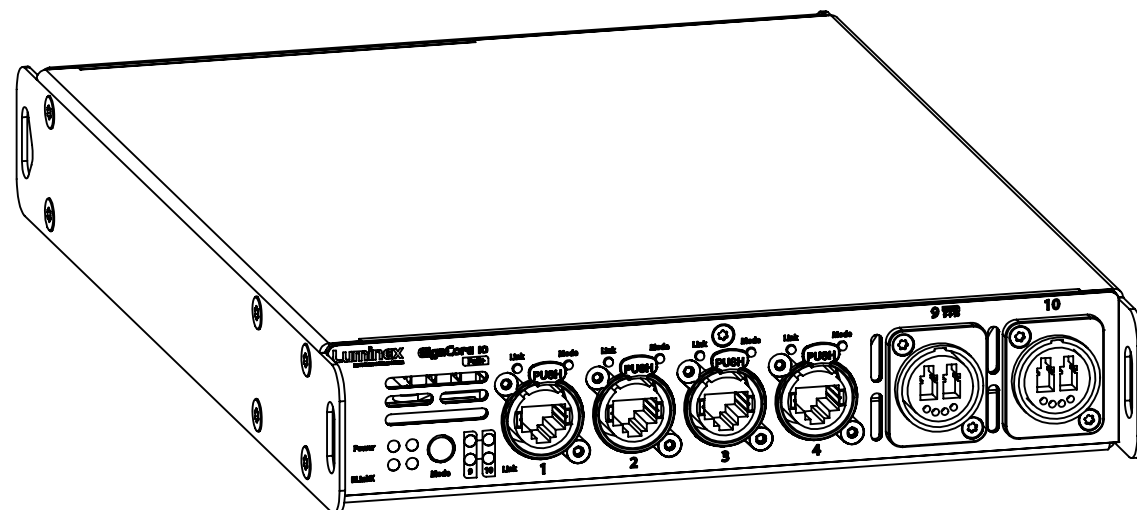
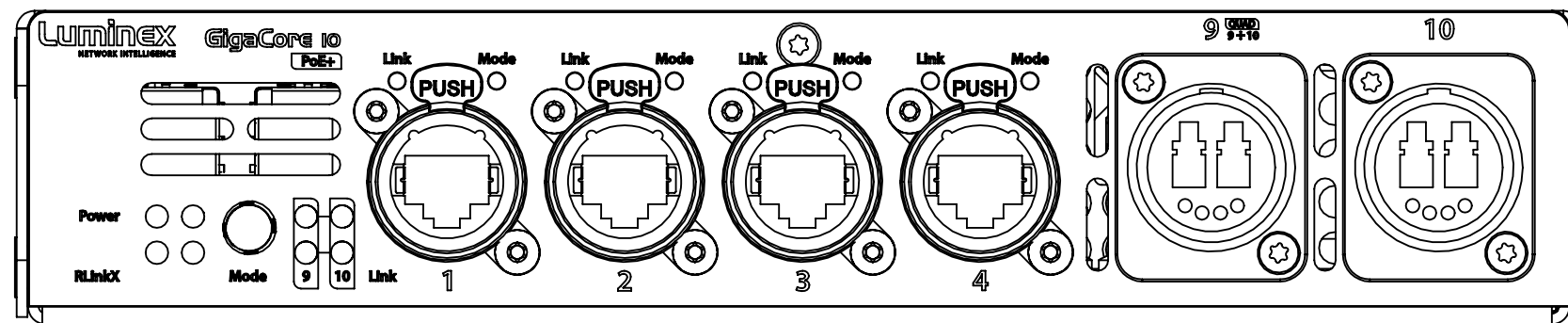
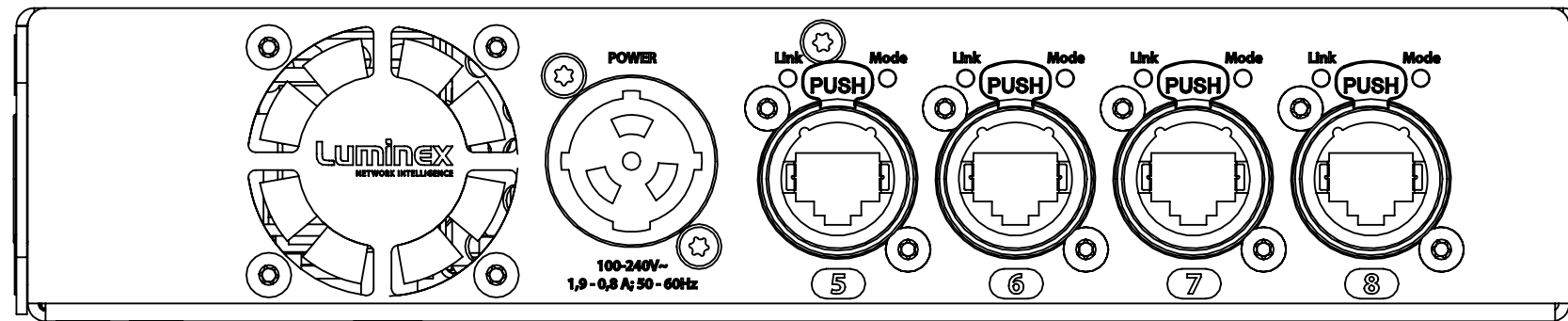
C

B

B

A

A



FIRST ANGLE PROJECTION

LU 01 00058

LUMINEX

Gigacore 10

SCALE: 1:1

units: mm [inch]

A3

8

7

6

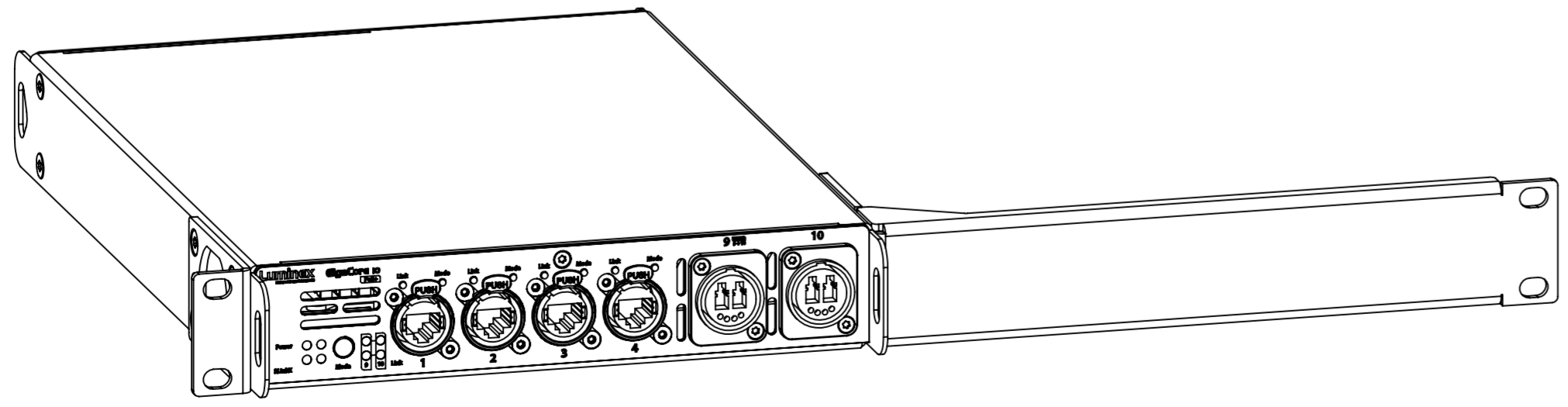
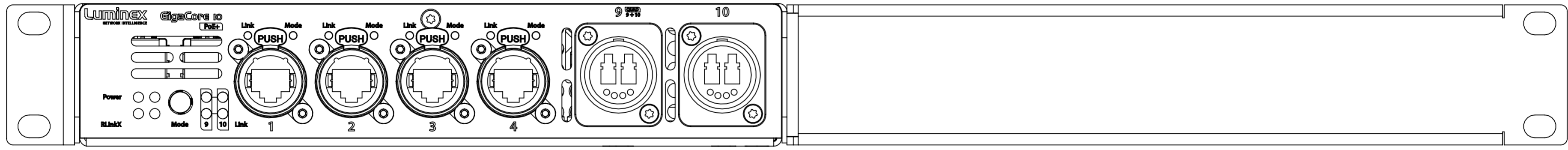
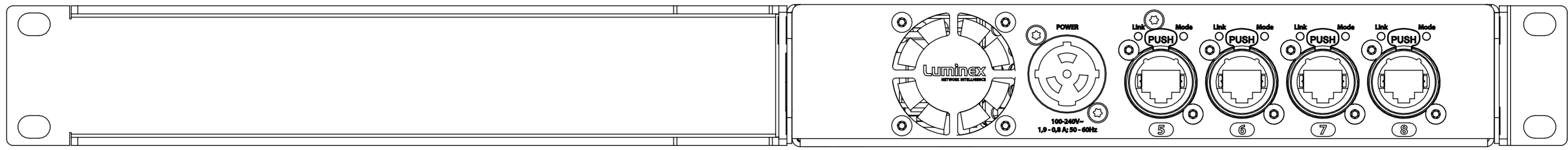
5

4

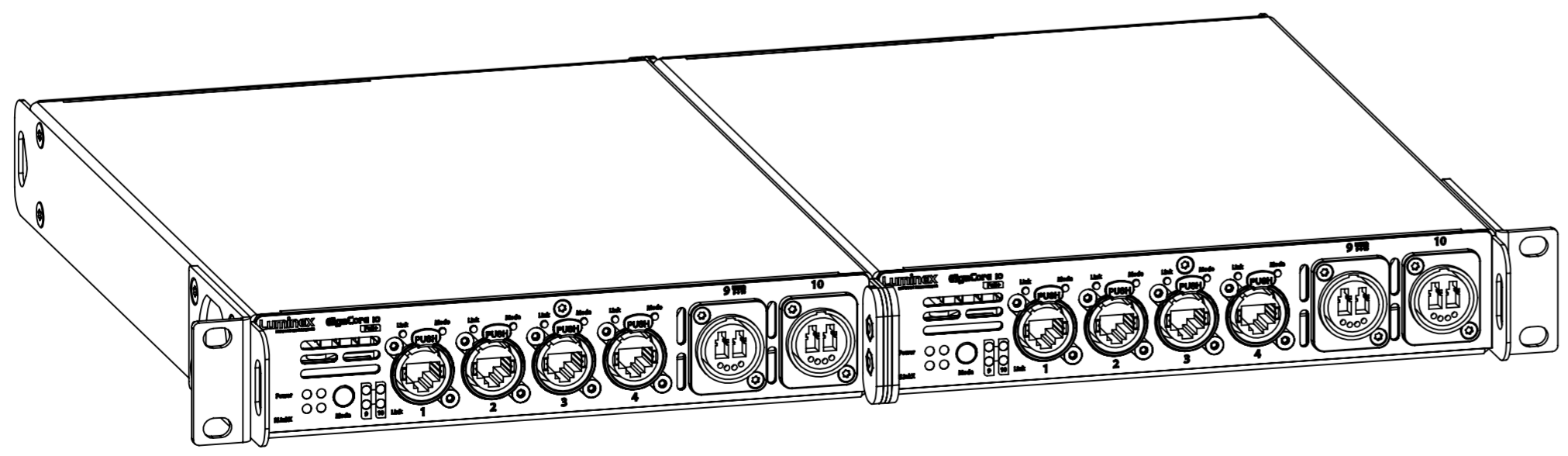
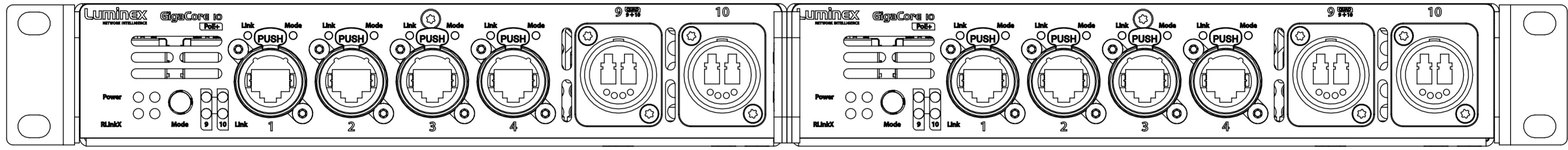
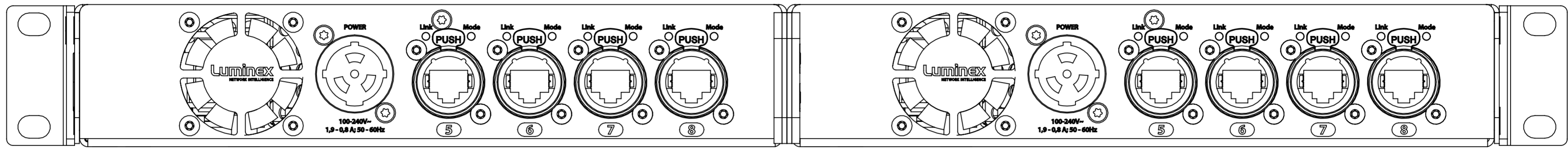
3

2

1



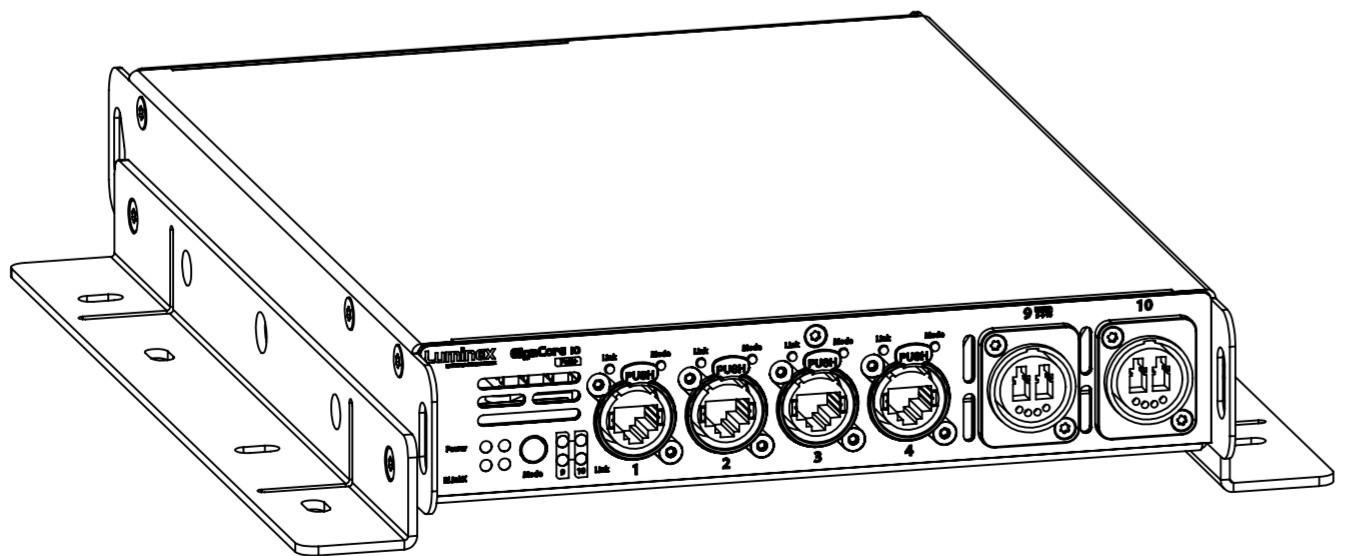
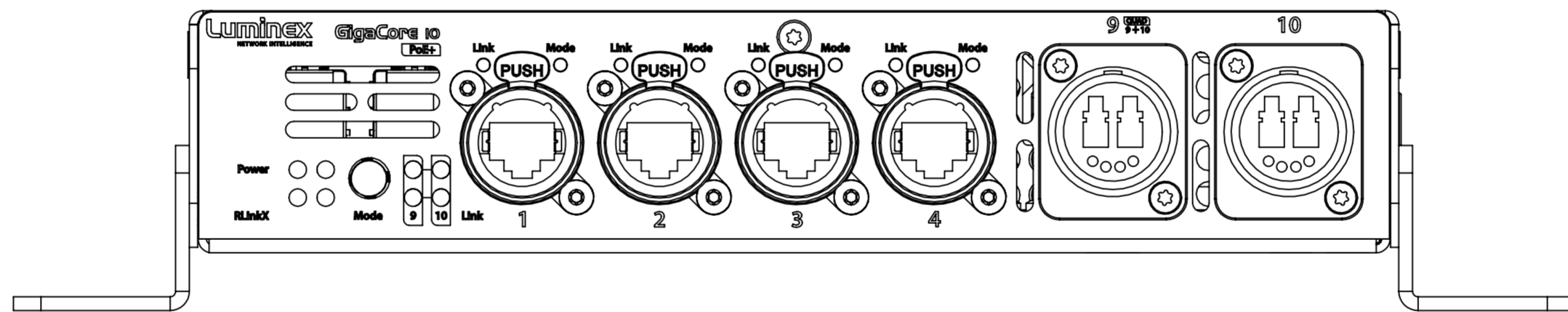
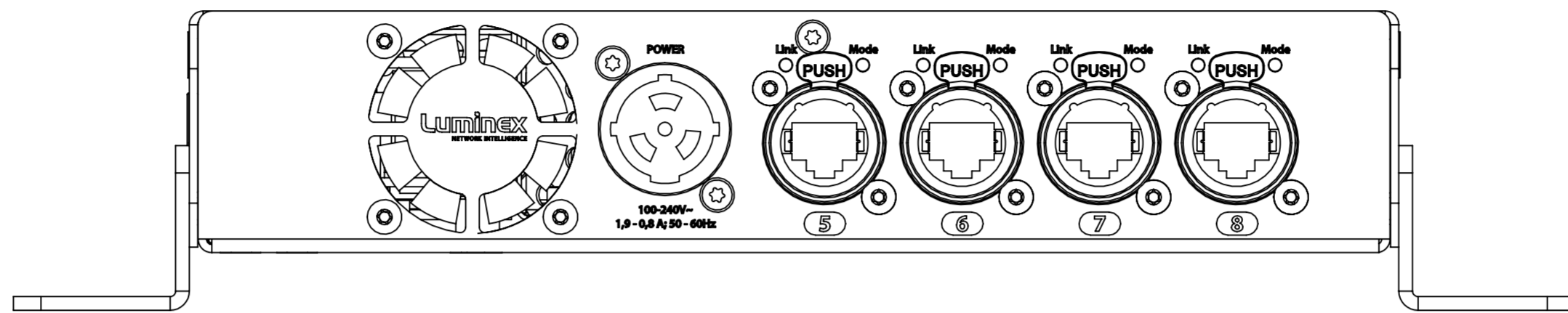
<p>FIRST ANGLE PROJECTION</p>	<p>LU 01 00058</p>	
<p>Gigacore 10</p>		
<p>SCALE: 1:1</p>	<p>units: mm [inch]</p>	<p>A 2</p>



<p>FIRST ANGLE PROJECTION</p>	<p>LU 01 00058</p>	
<p>Gigacore 10</p>		
<p>SCALE: 1:1</p>	<p>units: mm [inch]</p>	<p>A 2</p>

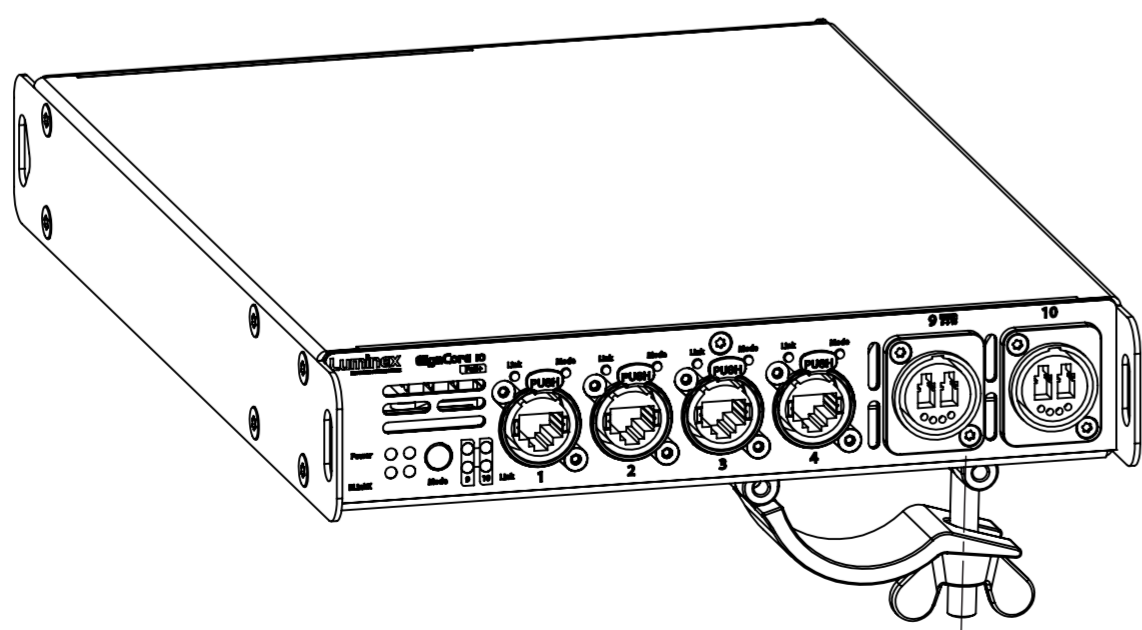
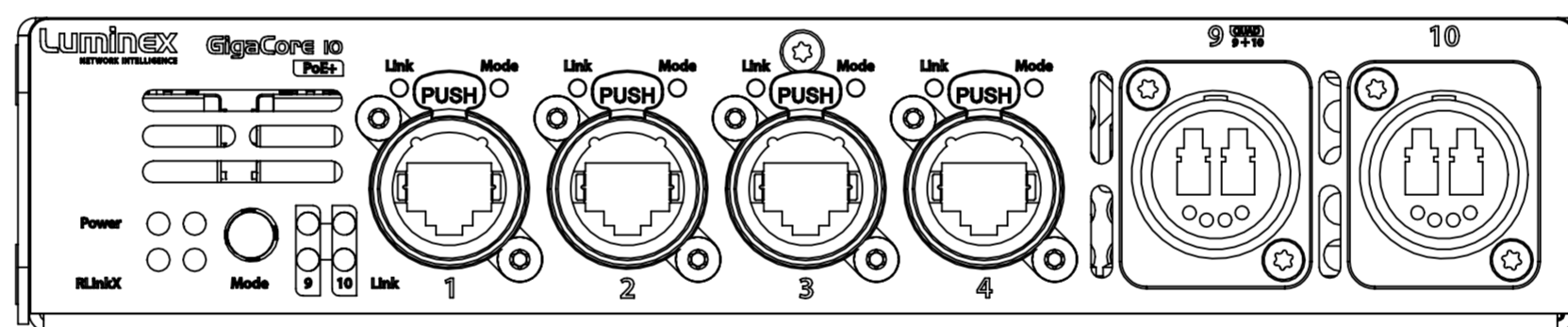
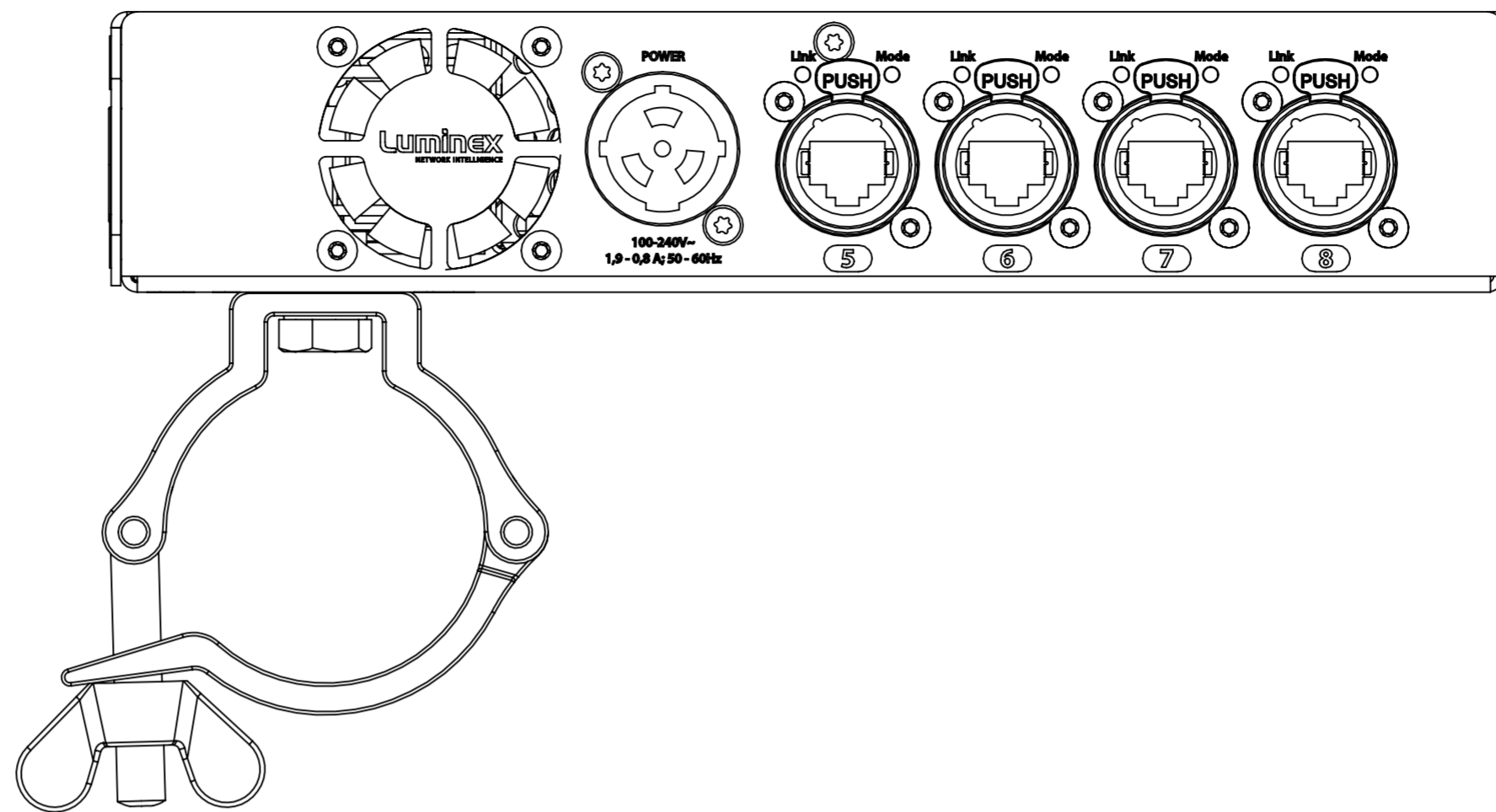
12 11 10 9 8 7 6 5 4 3 2 1

H
G
F
E
D
C
B
A

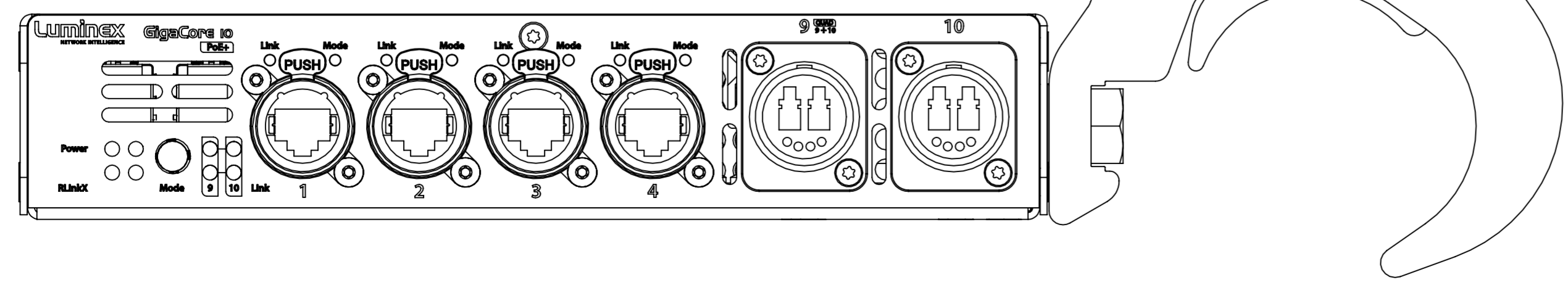
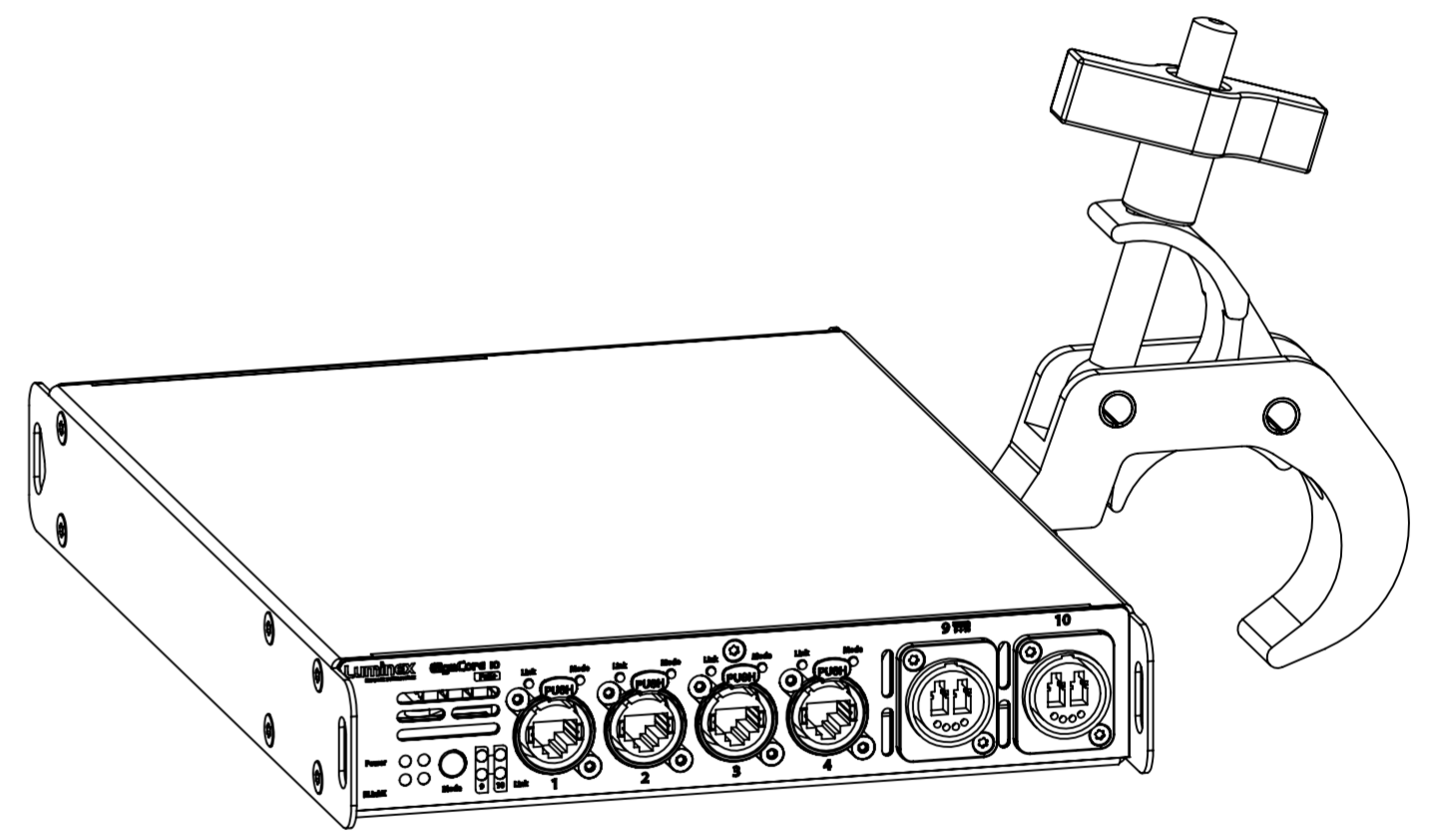
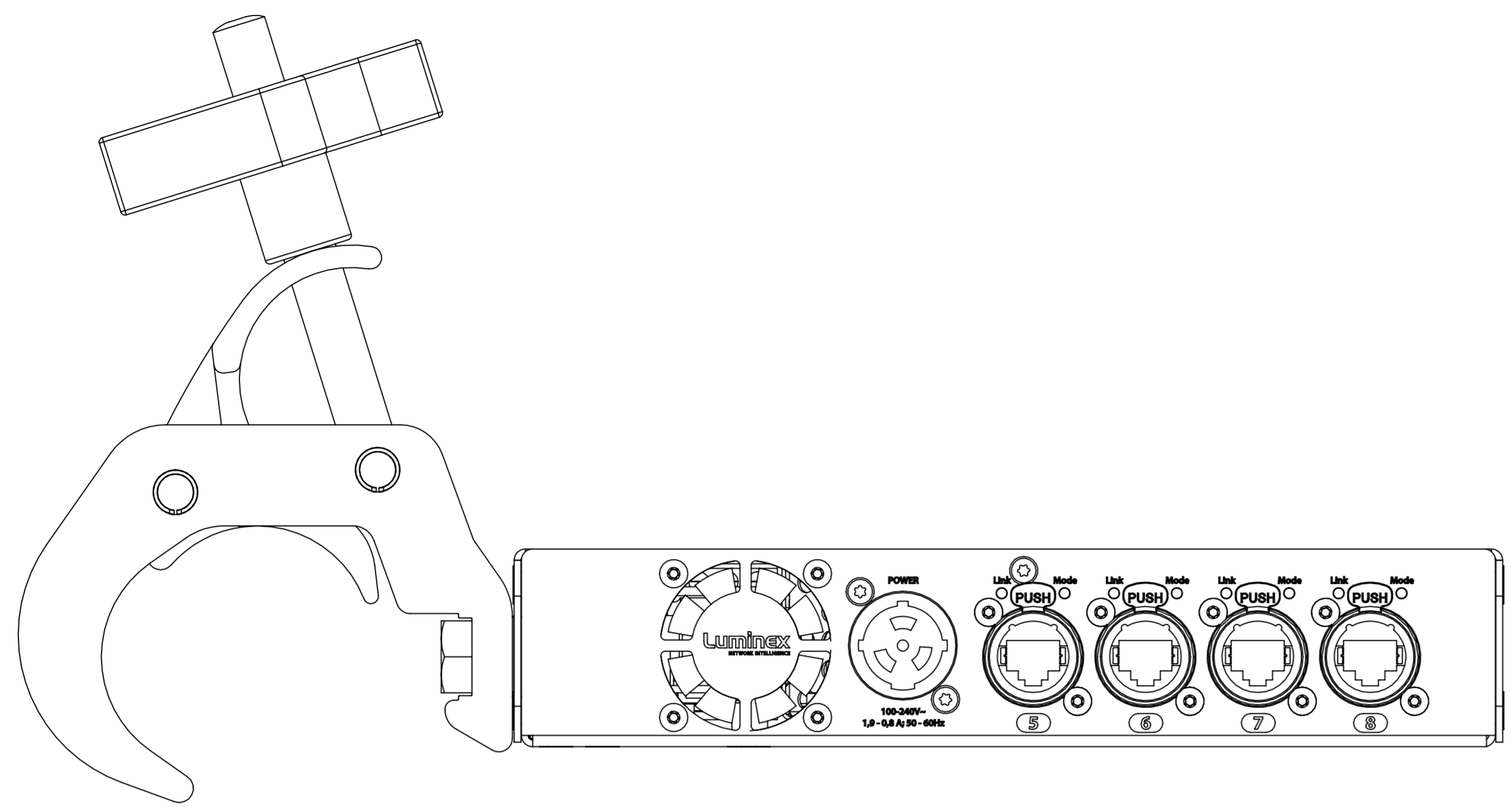


<p>FIRST ANGLE PROJECTION</p>	<p>LU 01 00058</p>	
<p>Gigacore 10</p>		
<p>SCALE: 1:1</p>	<p>units: mm [inch]</p>	<p>A 2</p>

12 11 10 9 8 7 6 5 4 3 2 1



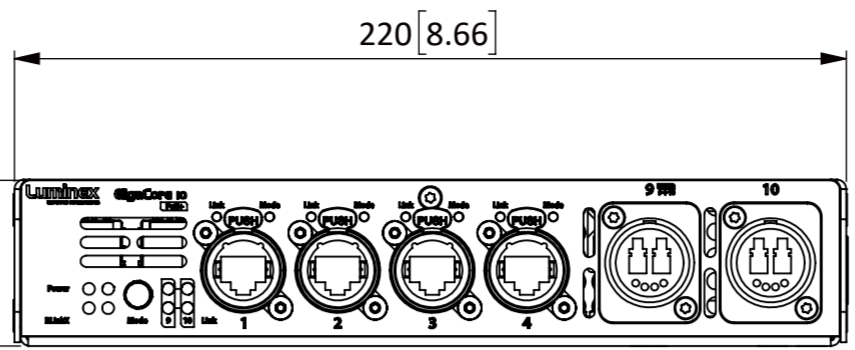
<p>FIRST ANGLE PROJECTION</p>	<p>LU 01 00058</p>	
<p>Gigacore 10</p>		
<p>SCALE: 1:1</p>	<p>units: mm [inch]</p>	<p>A 2</p>



<p>FIRST ANGLE PROJECTION</p>	<p>LU 01 00058</p>	
<p>Gigacore 10</p>		
<p>SCALE: 1:1</p>	<p>units: mm [inch]</p>	<p>A 2</p>

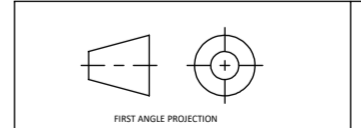
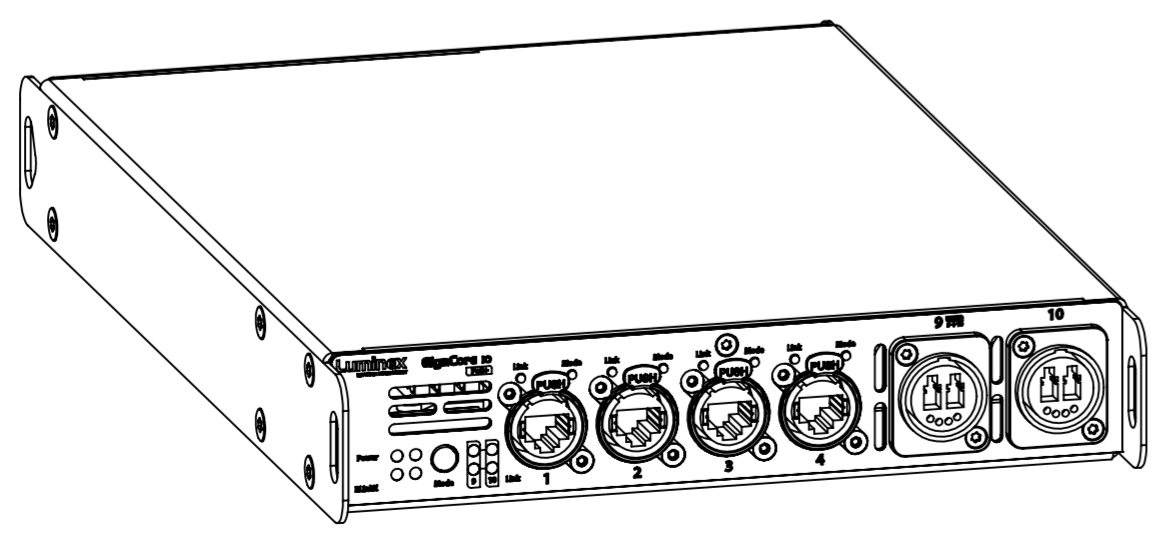
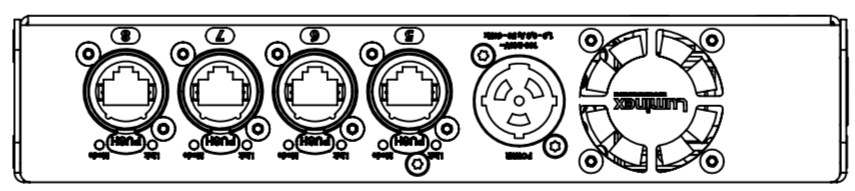
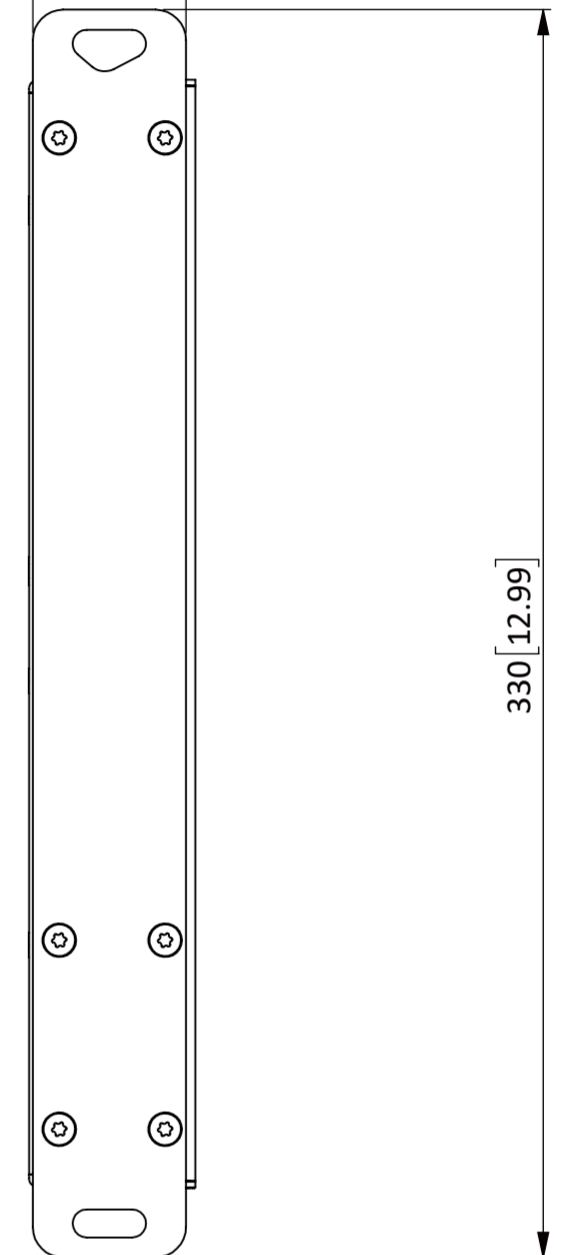
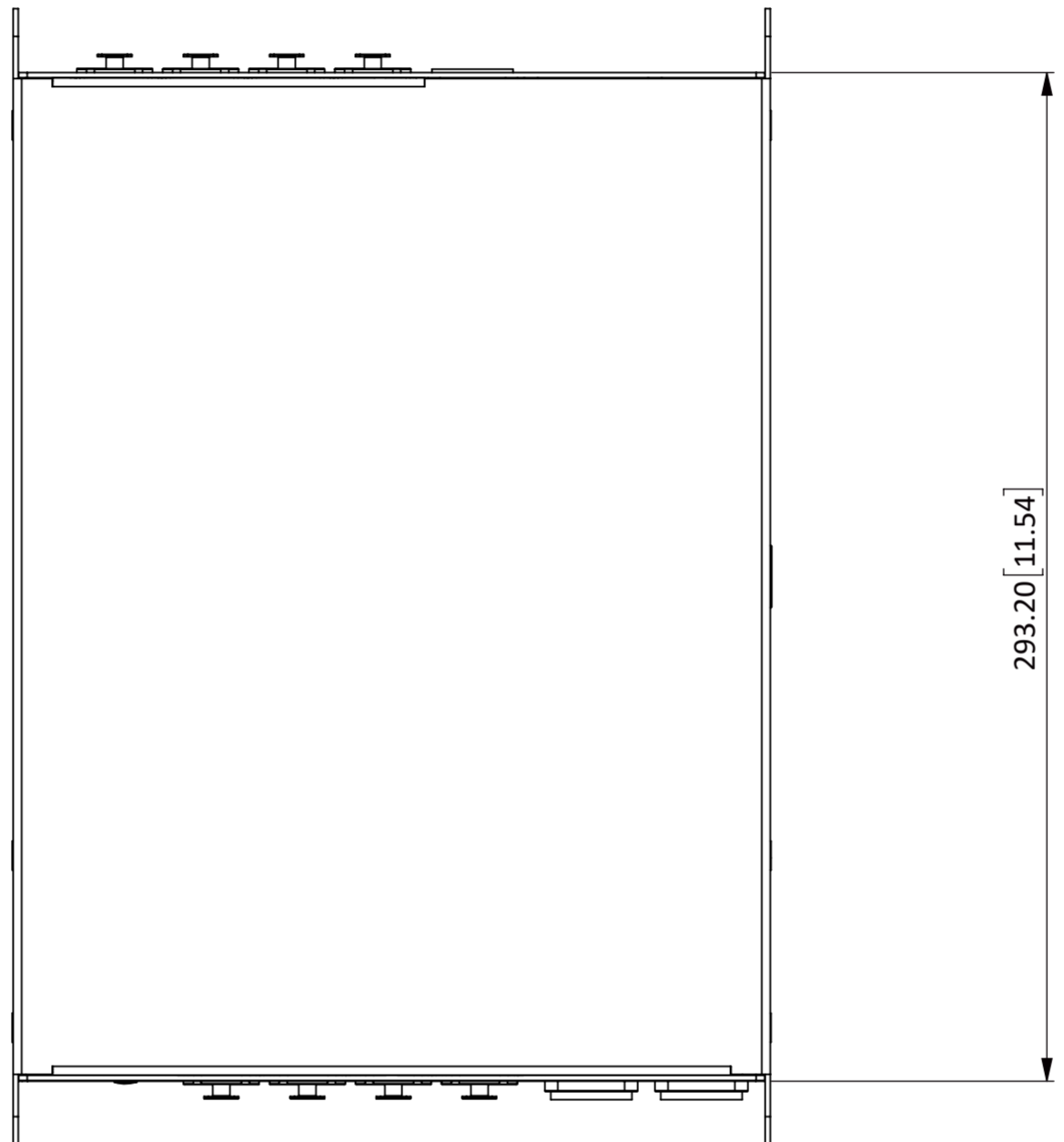
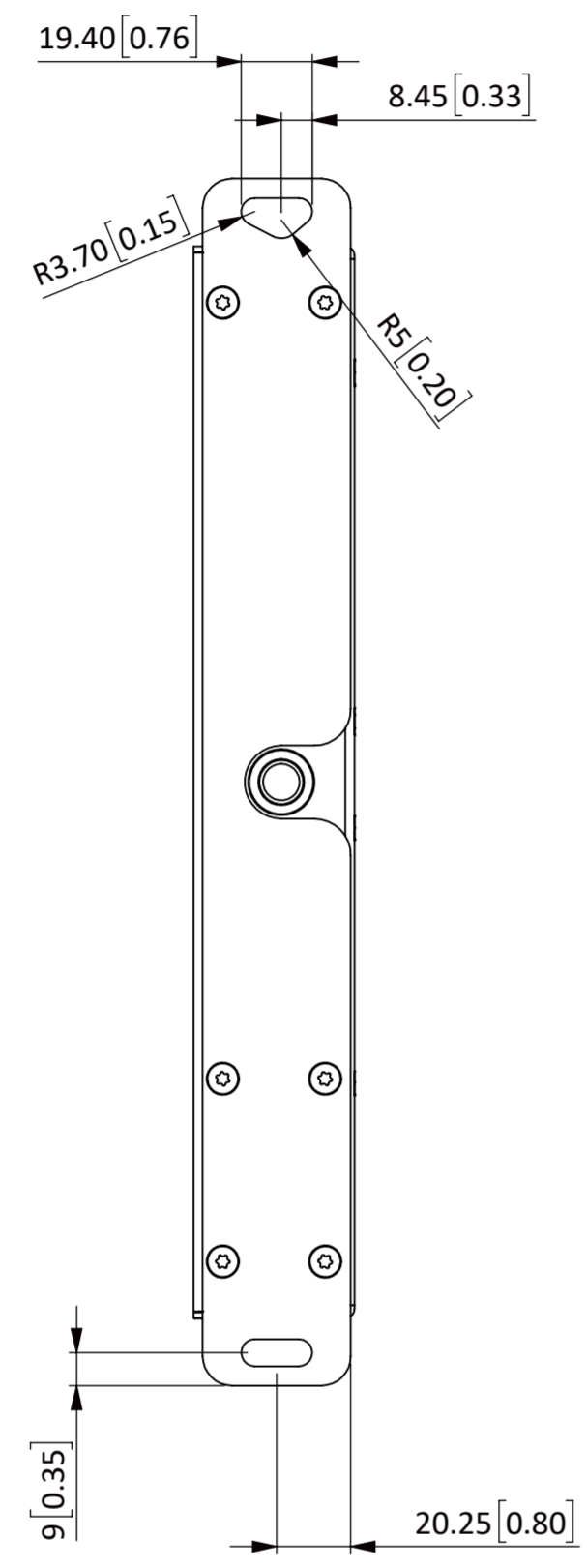
12 11 10 9 8 7 6 5 4 3 2 1

H G F E D C B A



43.80 [1.72]

40.51 [1.59]



LU 01 00058

LUMINEX

Gigacore 10

SCALE: 1:2

units: mm [inch]

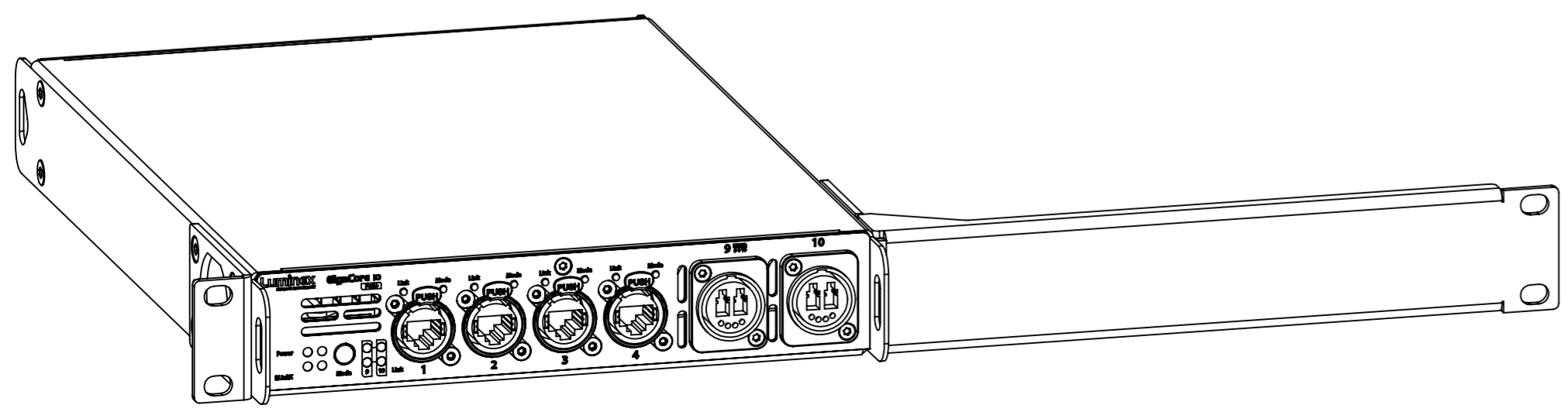
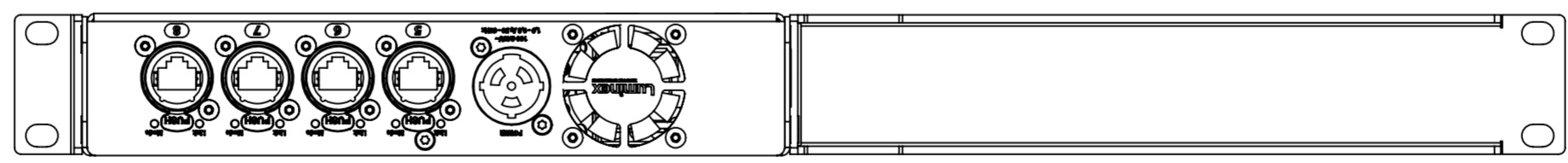
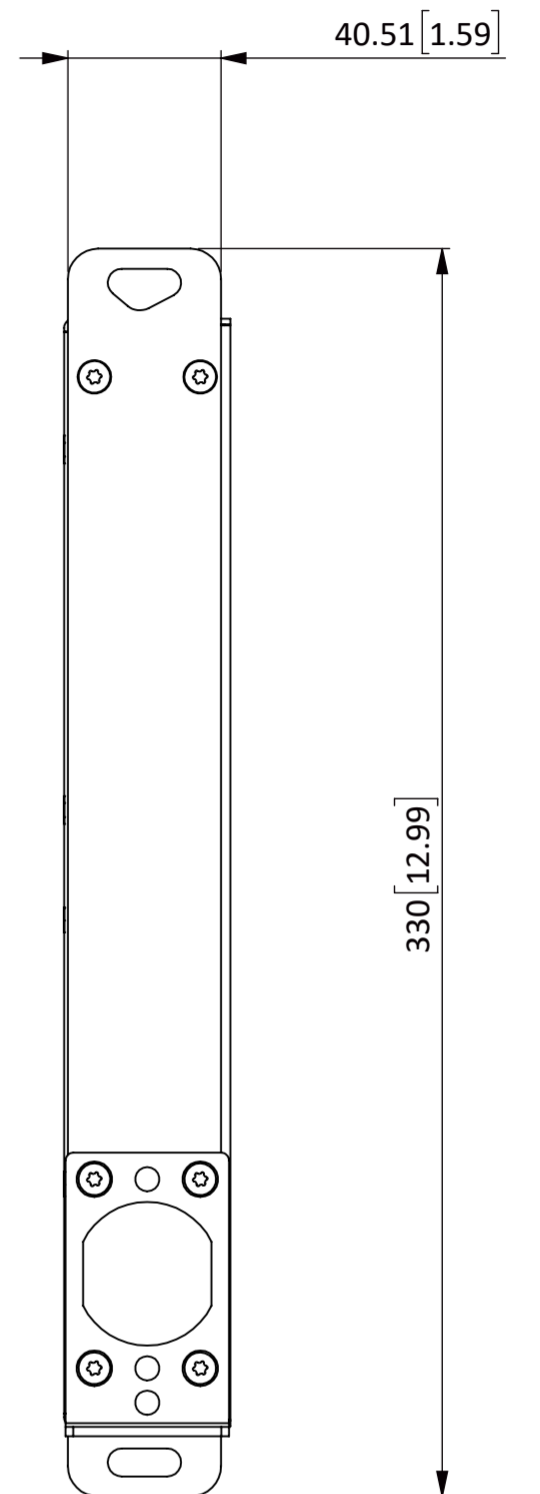
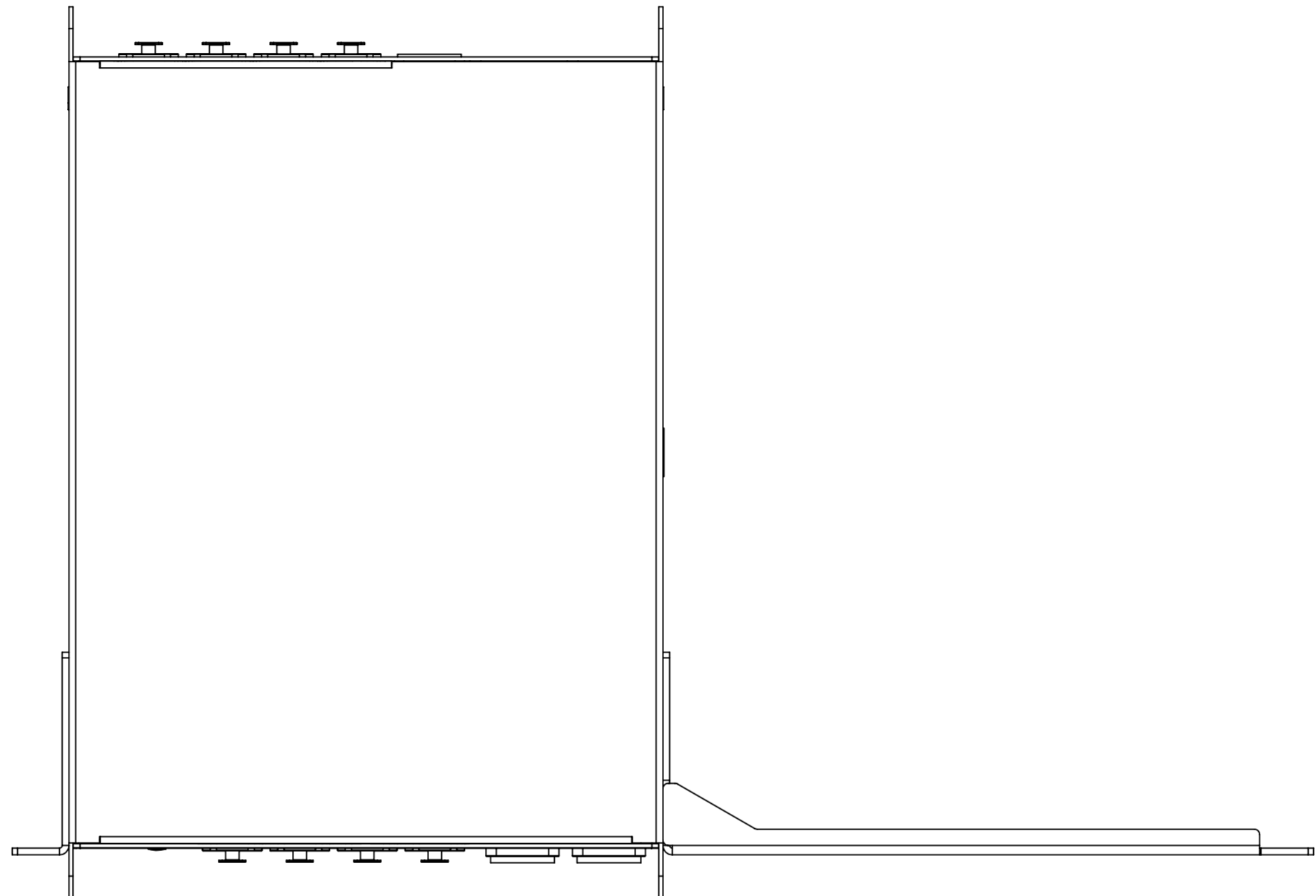
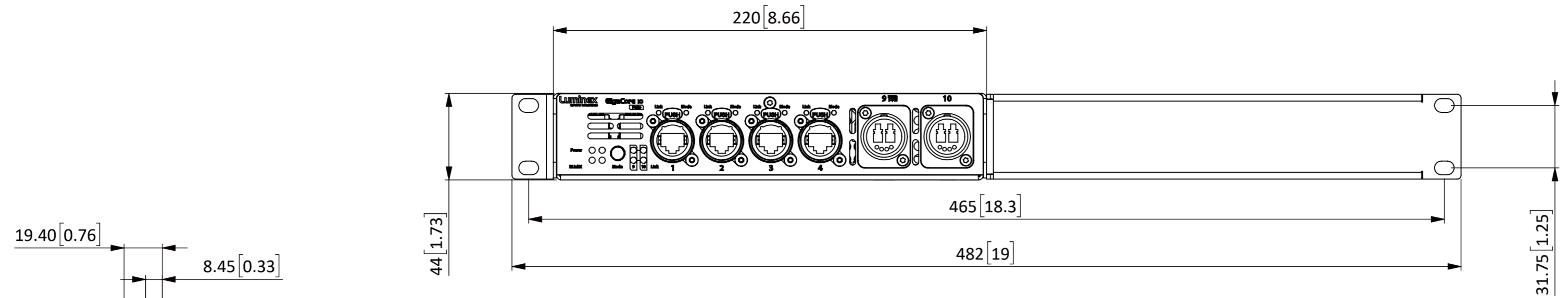
A 2

12 11 10 9 8 7 6 5 4 3 2 1

12 11 10 9 8 7 6 5 4 3 2 1

H
G
F
E
D
C
B
A

H
G
F
E
D
C
B
A



	<p>LU 01 00058</p>	
<p>Gigacore 10</p>		
<p>SCALE: 1:2</p>	<p>units: mm [inch]</p>	<p>A 2</p>

12 11 10 9 8 7 6 5 4 3 2 1

8

7

6

5

4

3

2

1

F

F

E

E

D

D

C

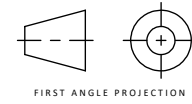
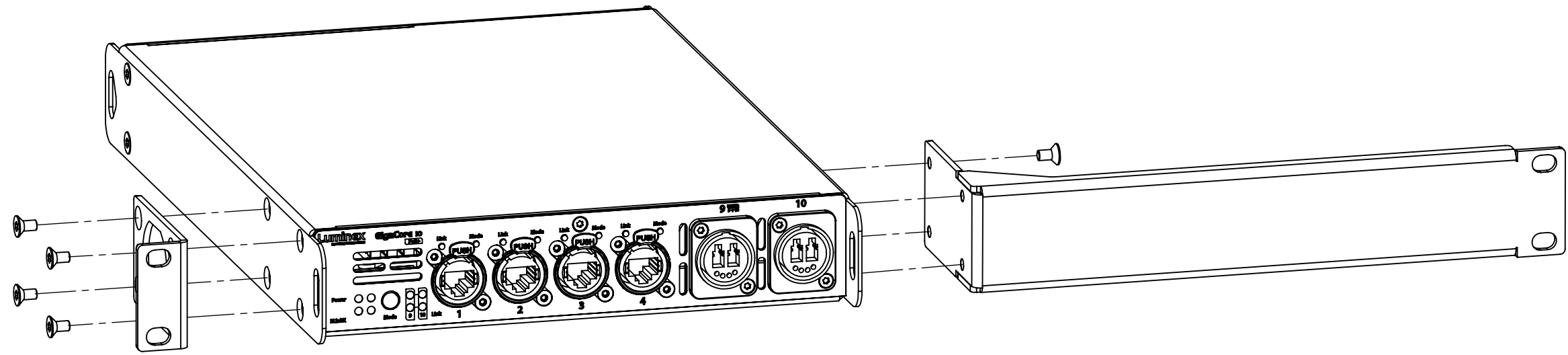
C

B

B

A

A



FIRST ANGLE PROJECTION

LU 01 00058



Gigacore 10

SCALE: 1:2

units: mm [inch]

A3

8

7

6

5

4

3

2

1

8

7

6

5

4

3

2

1

F

F

E

E

D

D

C

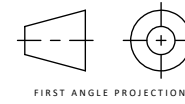
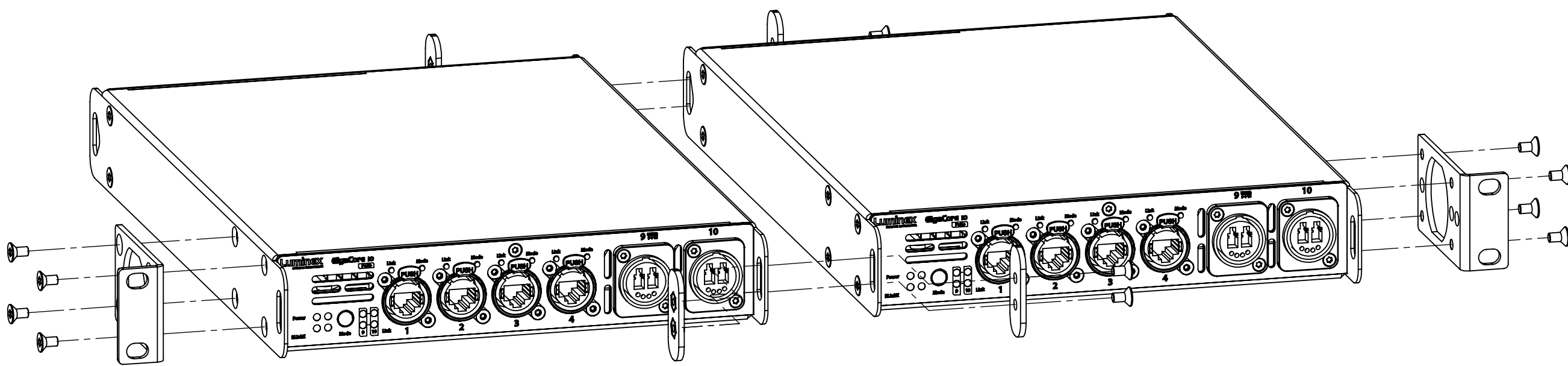
C

B

B

A

A



FIRST ANGLE PROJECTION

LU 01 00058

LUMINEX

Gigacore 10

SCALE: 1:2

units: mm [inch]

A3

8

7

6

5

4

3

2

1

8

7

6

5

4

3

2

1

F

F

E

E

D

D

C

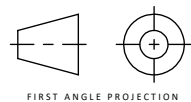
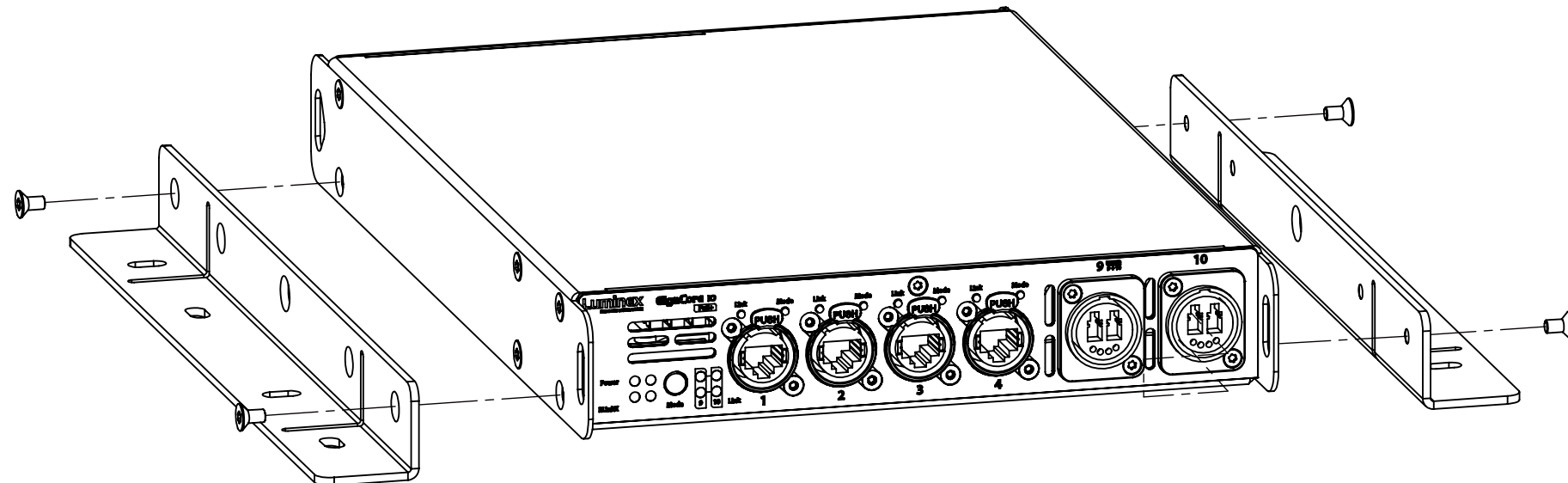
C

B

B

A

A



FIRST ANGLE PROJECTION

LU 01 00058

LUMINEX

Gigacore 10

SCALE: 1:2

units: mm [inch]

A3

8

7

6

5

4

3

2

1

8 7 6 5 4 3 2 1

F

F

E

E

D

D

C

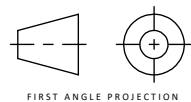
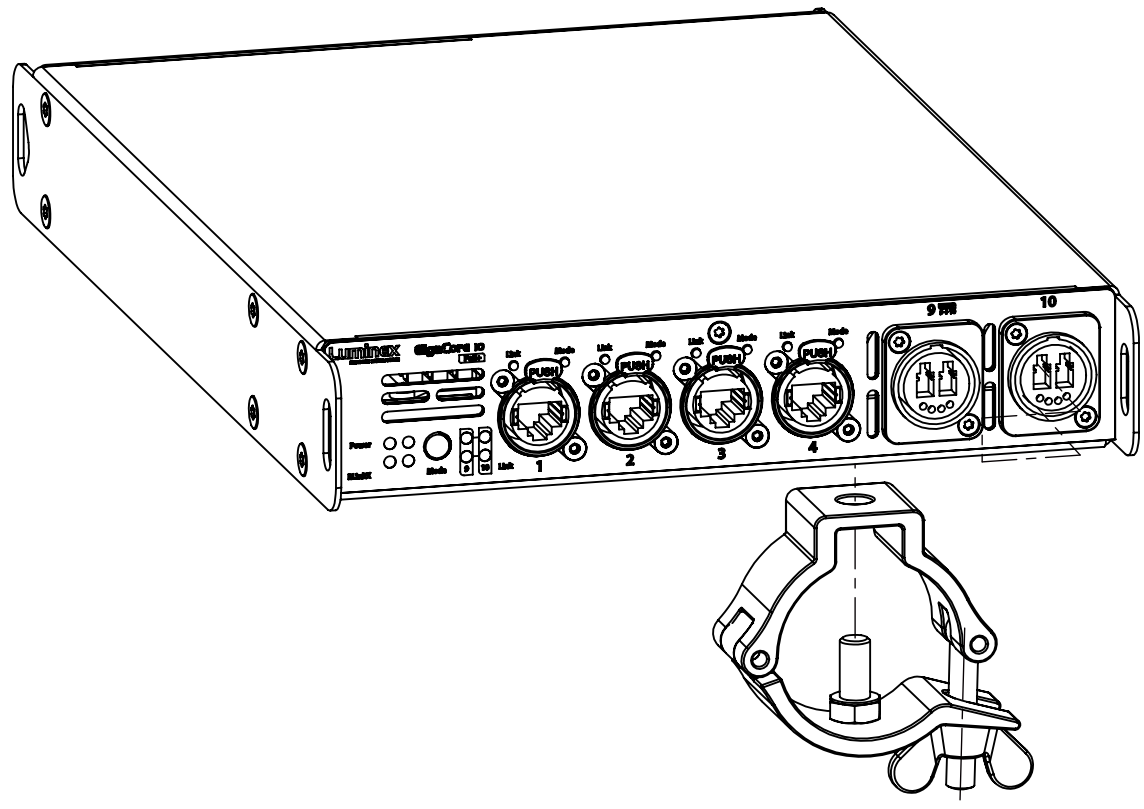
C

B

B

A

A



FIRST ANGLE PROJECTION

LU 01 00058



Gigacore 10

SCALE: 1:2

units: mm [inch]

A3

8 7 6 5 4 3 2 1

8

7

6

5

4

3

2

1

F

F

E

E

D

D

C

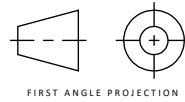
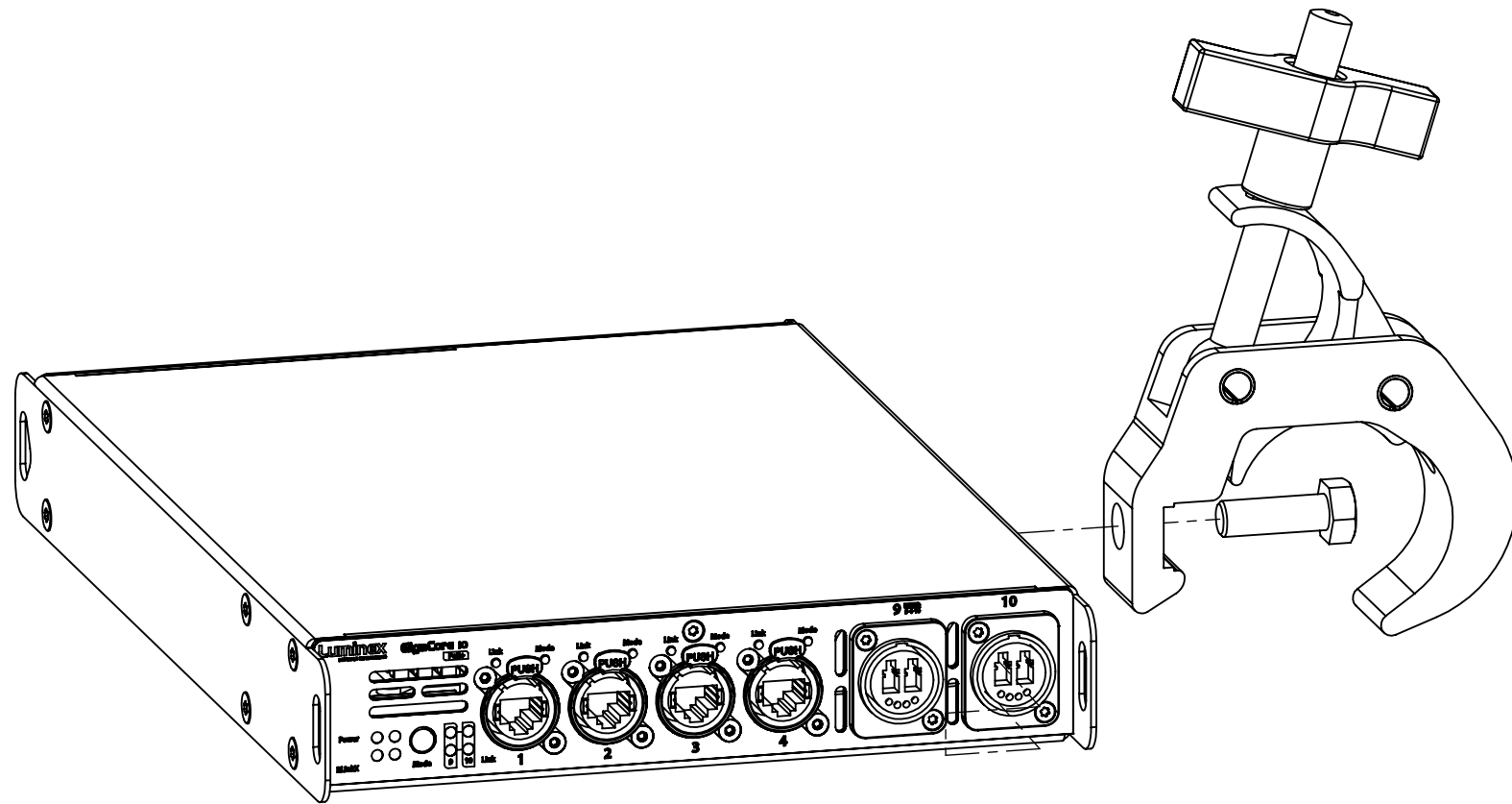
C

B

B

A

A



FIRST ANGLE PROJECTION

LU 01 00058

LUMINEX

Gigacore 10

SCALE : 1:2

units: mm [inch]

A3

8

7

6

5

4

3

2

1