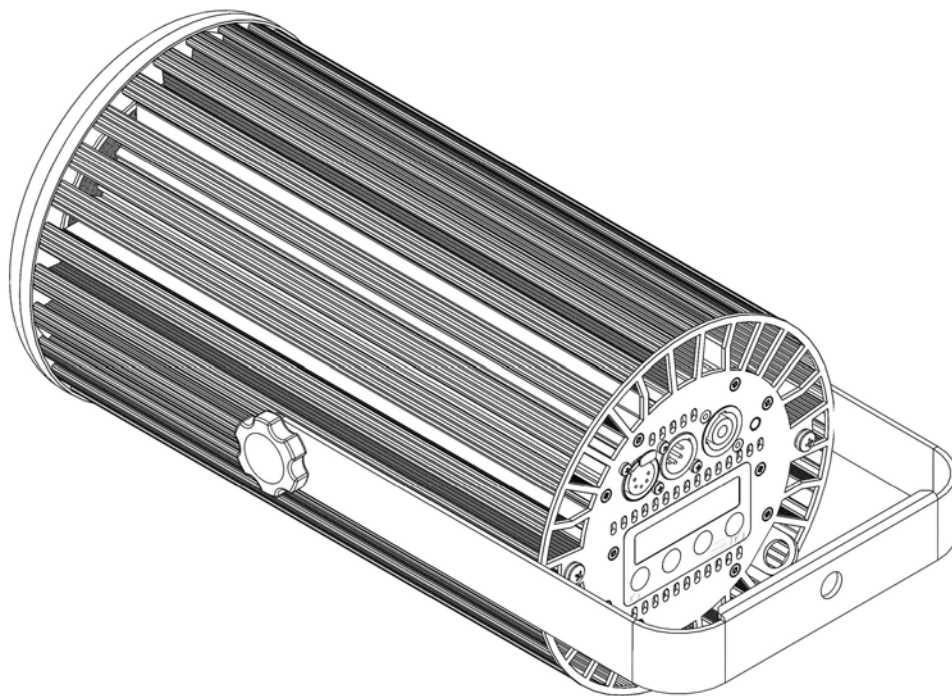


# Quick Start Guide

Chroma-Q®

Inspire™

Yoke Mount Kit



**Chroma-Q®**  
BRILLIANT SOLUTIONS

Part Number: CHINYK

Model: 632-9500

Version 1.1

## Approvals & Disclaimer



The information contained herein is offered in good faith and is believed to be accurate. However, because conditions and methods of use of our products are beyond our control, this information should not be used in substitution for customer's tests to ensure that Chroma-Q products are safe, effective, and fully satisfactory for the intended end use. Suggestions of use shall not be taken as inducements to infringe any patent. Chroma-Q sole warranty is that the product will meet the Chroma-Q sales specifications in effect at the time of shipment. Your exclusive remedy for breach of such warranty is limited to refund of purchase price or replacement of any product shown to be other than as warranted.

Chroma-Q reserves the right to change or make alteration to devices and their functionality without notice due to on-going research and development.

The Chroma-Q Inspire range has been designed specifically for the lighting industry. Regular maintenance should be performed to ensure that the products perform well in the entertainment environment.

If you experience any difficulties with any Chroma-Q products please contact your selling dealer. If your selling dealer is unable to help please contact [support@chroma-q.com](mailto:support@chroma-q.com). If the selling dealer is unable to satisfy your servicing needs, please contact the following for full factory service:

**Outside North America:**  
Tel: +44 (0)1494 446000  
Fax: +44 (0)1494 461024  
[support@chroma-q.com](mailto:support@chroma-q.com)

**North America:**  
Tel: +1 416-255-9494  
Fax: +1 416-255-3514  
[support@chroma-q.com](mailto:support@chroma-q.com)

For further information please visit the Chroma-Q website at [www.chroma-q.com](http://www.chroma-q.com).

Chroma-Q and Uploader are trademarks, for more information on this visit [www.chroma-q.com/trademarks](http://www.chroma-q.com/trademarks).

The rights and ownership of all trademarks are recognised.

### Installation Disclaimer:

1. Installation should be carried out by an experienced professional. The instructions below are provided for information only.
2. All work should be verified to meet Local and National Building Regulations, and Health and Safety Standards in particular.
3. Ensure that the specified torque is applied to fasten the Trim Ring and Angle Supports.
4. The Angle Supports of the Inspire fixture must be fastened to the ceiling with the appropriate load capacity.
5. The use of a safety chain or other arrest cable is strongly recommended as per standard rigging practice.

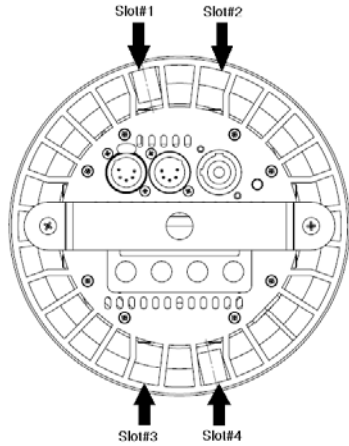
## 1. Items in the Kit

Items	Part Number	Quantity
Inspire Yoke	632-0140	1
Plastic Head Thumb Screw, Black Rosette M8-1.25 x 12MI	632-0600	2
Washer Flat Black / Green, 3/8"ID x 7/8"OD x 1/16" thick C4324	338-2187-5	2
High Hold Cone Point Set Screw 10-24 x 1"	900-1171	4
Sliding T-Nut Inspire Yoke Black	632-0141	2
T-Handle Hex Key 3/32"	900-1172	1

## 2. Tools Required

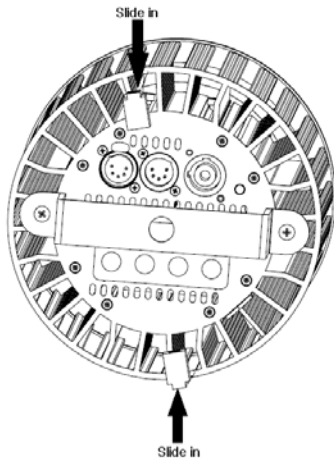
3/32" hex (Allen) key

### 3. Installation Guide

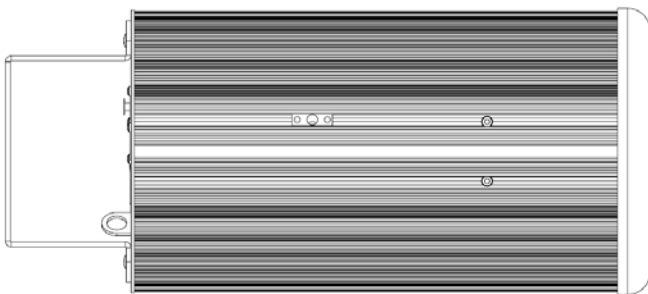


**Optional step:** The rear bracket can be kept as it is or can be removed as per the requirements of your installation. To remove the rear bracket, #1 Phillips Head (PH1) screw driver will be required.

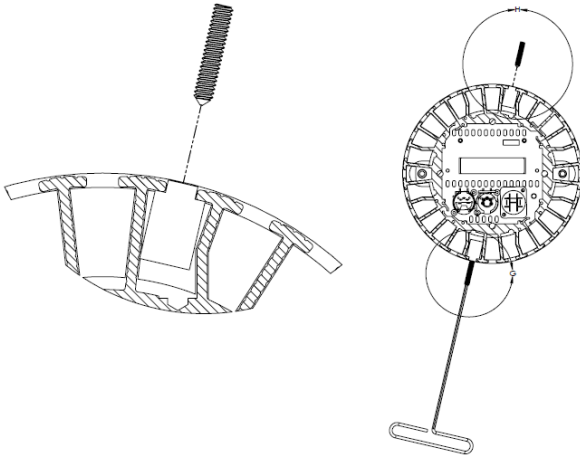
1. Place the Inspire™ fixture on a soft base to save the extrusion from scratches and damages.
2. The Sliding T-Nut Inspire Yoke Black can be installed in any of the slots shown in the figure.



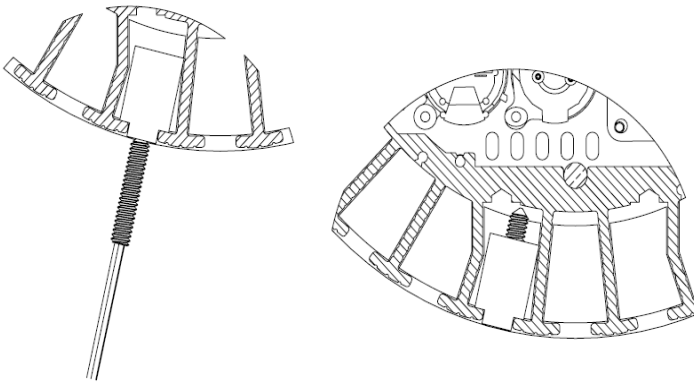
3. Slide the T-Nut Inspire Yoke Black into the slots. Make sure it is installed exactly the way it is shown in the fig. Install one side at a time.



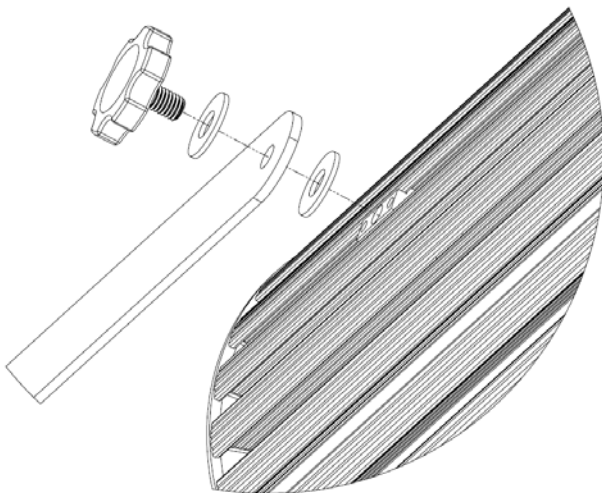
4. Insert one sliding t-nut. Slide to a position approx. 4" (102mm) from the rear of the fixture.



5. Insert the High Hold Cone Point Set Screw 10-24 x 1" using a 3/32" hex key.



6. Tighten in place using a 3/32" hex key. Repeat the above procedure for the T-nut installation on the other side of the fixture as well.



7. Holding the yoke in place, insert the washers between the yoke and the fixture body. Screw in place the two rosette thumb screws.

Congratulations, your fixture is ready to hang and focus!