

# Quick Start Guide

## Chroma-Q® Space Force™ Protective Lens Kit



**Chroma-Q®**  
BRILLIANT SOLUTIONS

For a full product manual please visit [www.chroma-q.com](http://www.chroma-q.com)  
Part Number: CHSPFPL, CQ647-9080, CQ1512-9080  
Model: 650-9080, 647-9080, 1512-9080

For use with  
Part Number: CHSPF[XXXX], CQ647-XXXX, CQ1512-XXXX  
Model: 650-XXXX, 647-XXXX, 1512-XXXX

## 1. Overview

The Chroma-Q® Space Force™ Protective Lens Kit protects the expensive diffuser from scratches, fingerprint, dirt. For a complete list of accessories please visit [www.chroma-q.com](http://www.chroma-q.com).

## 2. Kit Contents

Items	Model	Qty.
Protective Lens Acrylic	650-0208, 647-0601, 1512-0512	1
* Screw M3x10 Ultra Low HH Zn	430-1310-2	8

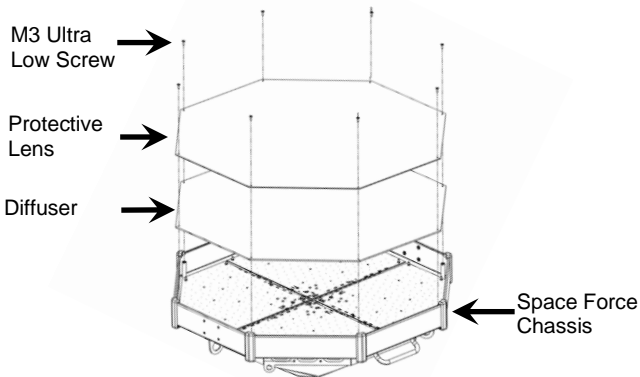
\* Available in only 650-9080 Kit (for Space Force™ octo, NOT included in 647-9080 (for Space Force onebytwo™) or 1512-9080 (for Space Force twobyfour™). Use the same screws that are installed in the Space Force onebytwo™ and Space Force twobyfour™ light fixture.

## 3. Tools Required

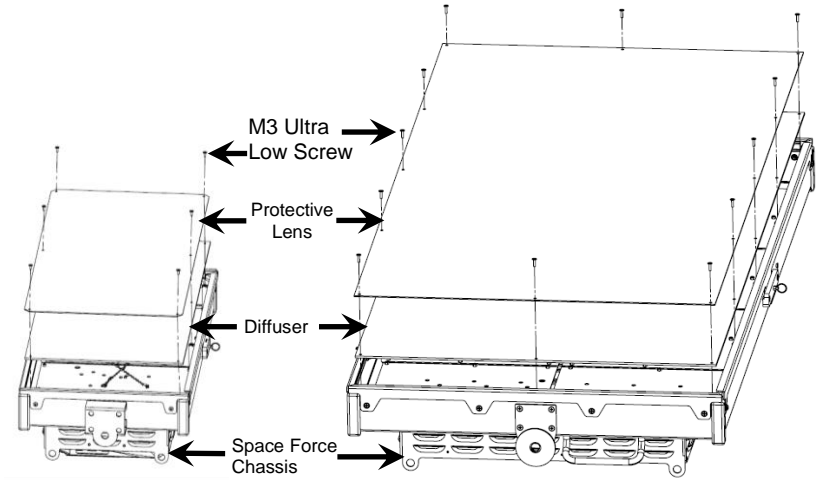
Torx T6 x 70mm Screwdriver (maximum torque: 0.62nm/5.5in.-lb.)

## 4. Procedure

1. Place the light fixture horizontally on a clean rigid surface.
2. Remove the screws that hold Diffuser and Protective Lens
  - i. For Space Force™ octo: Remove the existing 8 – M3x8 Ultra Low Torx Screws from Space Force™ unit using Torx T6 x 70mm screw driver. These screws will not be needed anymore.



- ii. For Space Force onebytwo™ and twobyfour™: Remove the M3x10 Ultra Low Torx Screws from Space Force™ unit using Torx T6 x 70mm screw driver. Keep them in a secure location. These screws will be used to install the new protective lens.



3. If a Protective Lens was already installed, remove the old Protective Lens. Keep the Space Force™ Diffuser Lens as it is; align the new Protective Lens to match the retaining screw holes.
4. Install the M3x10 ULTRA LOW HH ZN screws using Torx T6 x 70mm screw driver.

**Note:** DO NOT tighten the screws with high torque. This might damage the Protective Lens and/or the threads of the stand-off.

## 5. Further Information

Please refer to the Chroma-Q® Space Force™ manual for more detailed information. A copy of the manual can be found at the Chroma-Q® website – [www.chroma-q.com/support/downloads](http://www.chroma-q.com/support/downloads)

# Approvals & Disclaimer



The information contained herein is offered in good faith and is believed to be accurate. However, because conditions and methods of use of our products are beyond our control, this information should not be used in substitution for customer's tests to ensure that Chroma-Q® products are safe, effective, and fully satisfactory for the intended end use. Suggestions of use shall not be taken as inducements to infringe any patent. Chroma-Q® sole warranty is that the product will meet the Chroma-Q® sales specifications in effect at the time of shipment. Your exclusive remedy for breach of such warranty is limited to refund of purchase price or replacement of any product shown to be other than as warranted.

Chroma-Q® reserves the right to change or make alteration to devices and their functionality without notice due to on-going research and development.

The Chroma-Q® Space Force™ has been designed specifically for the lighting industry. Regular maintenance should be performed to ensure that the products perform well in the entertainment environment.

If you experience any difficulties with any Chroma-Q® products please contact your selling dealer. If your selling dealer is unable to help, please contact [support@chroma-q.com](mailto:support@chroma-q.com). If the selling dealer is unable to satisfy your servicing needs, please contact the following for full factory service:

Outside North America:  
Tel: +44 (0)1494 446000  
Fax: +44 (0)1494 461024  
[support@chroma-q.com](mailto:support@chroma-q.com)

North America:  
Tel: +1 416-255-9494  
Fax: +1 416-255-3514  
[support@chroma-q.com](mailto:support@chroma-q.com)

For further information please visit the Chroma-Q® website at [www.chroma-q.com](http://www.chroma-q.com).

Chroma-Q® is a trademark, for more information on this visit [www.chroma-q.com/trademarks](http://www.chroma-q.com/trademarks).

The rights and ownership of all trademarks are recognized

