

180 W moving spot with zoom and CMY.


LIGHT SOURCE

180 W
high-power
White LED


BEAM ANGLE

8° - 40°
motorised
linear zoom


CONNECTIVITY

DMX512, RDM,
W-DMX, Lumen
Radio TiMo


IP RATING

20

JETSPOT4Z is a 180 W 6.800 K LED spotlight designed to replace a 700 W discharge fixture in theatres, concert halls and a host of other venues. The compact size allows for the use of this luminaire in venues with low ceilings without resorting to zoom. Its custom optical system delivers a consistent output with a flat-field and crisp gobo projection right through the massive 8° to 40° zoom range.

FEATURES

- Full CMY colour mixing system combined with a colour wheel.
- Rotating and static gobo wheels, plus prism, iris and linear frost.
- HD dimming

TECHNICAL SPECIFICATION
LIGHT SOURCE

Source:	180 W high-power White LED
CT:	6.800 K
CRI:	68
Luminous flux:	7'518 lm
Lux:	(8°) - 25,200 lx / (40°) - 3,250 lx @3 m

OPTICS

Zoom:	8° - 40° motorised linear zoom
Focus:	motorised

COLOUR SYSTEM

Colour mixing:	CMY colour system on 3 gradually fading colour wheels
CTC:	on wheel 2500 K and 3200 K + CTB
Colour wheel:	6 dichroic filters + open on 3 independent colour wheels

DYNAMIC EFFECTS

Rotating gobos:	7 rotating gobos + open, interchangeable, indexing
Fixed gobos:	8 fixed gobos + open
Circular prism:	3 f with bi-directional rotation, indexing
Frost:	linear 0 - 100% frost filter
Iris:	5 - 100% motorised linear iris

BODY

Pan angle:	540°
Tilt angle:	270°

CONTROL

Protocols:	DMX512, RDM, W-DMX
DMX channels:	23 / 25 / 27 channel
W-DMX:	included, Lumen Radio TiMo receiver

ELECTRONICS

Dimmer:	linear 0 ~ 100% electronic dimmer
Strobe / shutter:	1 - 30 Hz, electronic

ELECTRICAL

Power consumption (at 230 V):	250 W
Power consumption (at 120 V):	252 W

PHYSICAL

Signal connection:	Amphenol XLR 3p + 5p IN/OUT connectors
Power connection:	Neutrik powerCON TRUE1 IN/OUT connectors
IP rating:	20
Dimensions (WxHxD):	332x555x230 mm / 13.07"x21.85"x9.06"
Weight:	18,6 kg / 41.01 lbs

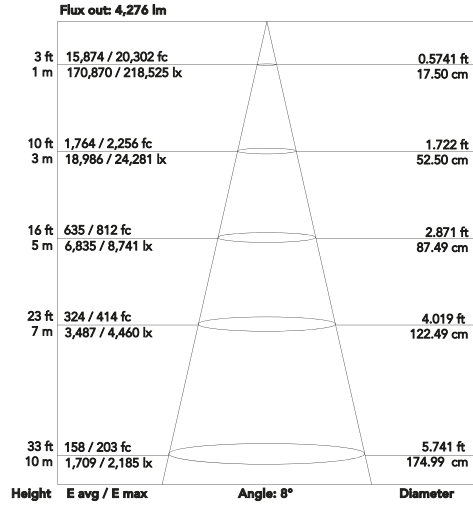
PHOTOMETRIC DATA

JetSpot4z - FULL (8°)

180 W moving spot with zoom and CMY.



Photometrics Diagram

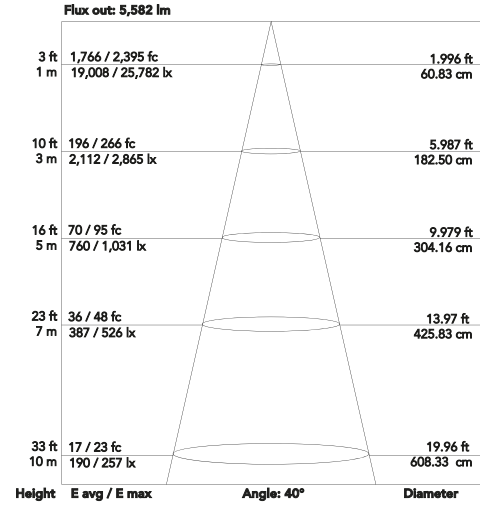


JetSpot4z - FULL (40°)

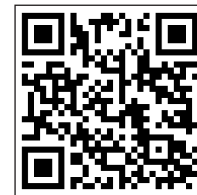
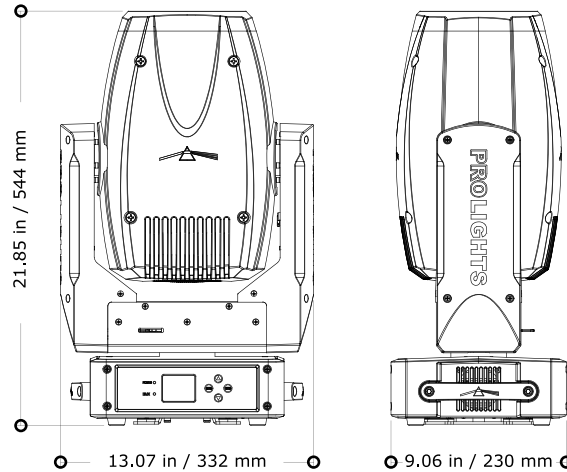
180 W moving spot with zoom and CMY.



Photometrics Diagram



TECHNICAL DRAWING



prolightsamerica.com