

Quick Start Guide

Chroma-Q[®]

Space Force[™]

Manual Yoke Installation



Chroma-Q[®]
BRILLIANT SOLUTIONS

For a full product manual please visit www.chroma-q.com
Part Number: CHSFPV
Model: 650-9010

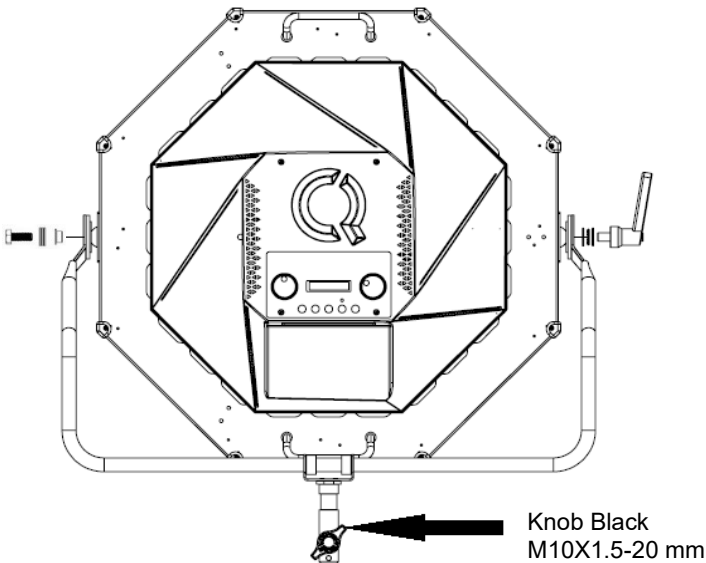
1. Items in the Kit: Space Force Offset Yoke (650-9010)

Items	Part Number	Qty.
Space Force Yoke Bracket M12 Blk	650-0035	2
Yoke Offset	650-0055	1
Knob M10x1.5 - 20mm Black	648-0113	1
Spigot for Yoke	900-0621	1
Adjustable Handle Offset Yoke	900-0672	1
Friction Disc 12mm ID, 63mm OD	900-0613	1
Friction Disc 16mm ID, 63mm OD	900-0595	1
Thrust Bearing 12mm ID, 26mm OD, 9mm thick (set of 3)	900-0614	2
Bushing Flanged 12mm ID, 25mm Blk	412-5012-0	1
Washer Spring 12mm ID	412-2822-0	1
Screw M12X40 SHCS Blk	412-1440-0	1
Bolt M12x30 Hex Head Blk	412-1930-0	1
Screw M4x8 FH Phillips Blk	440-1108-0	8
Washer Flat 1/2"	350-2114-4	1
Bag 4 x 6 Zip lock	900-0638	1

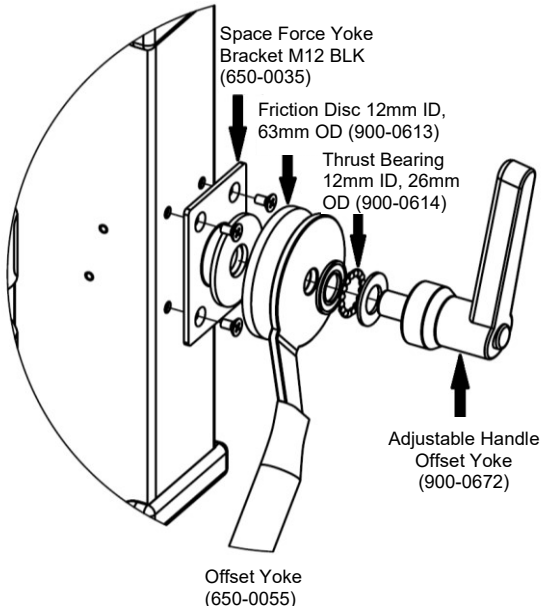
2. Tools Required

- Screwdriver PZ1 x 80mm for the Side Bracket screws (Minimum torque: 5.5 in.-lb.)
- 19 mm (or adjustable) wrench/spanner
- 10 mm Allen key

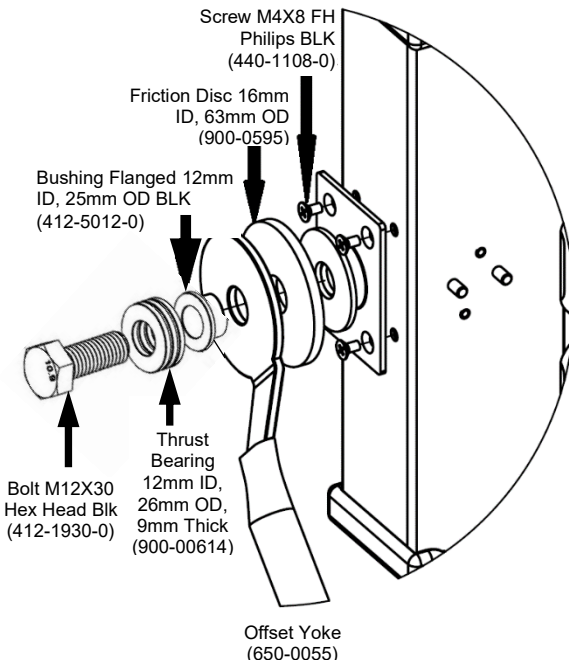
3. Installation Procedure



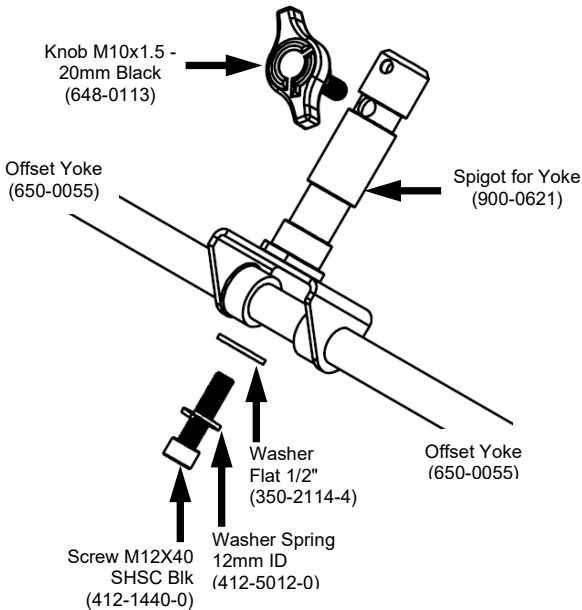
1. Install the Yoke Brackets (650-0035) on both sides of space force unit using PZ1 x 80mm screw driver. Tighten the screws (440-1108-0) to make a solid connection.
2. On the yoke arm with the 12mm hole, place the Friction Disc (900-0613) in between the Yoke (650-0055) and the Yoke Bracket (650-0035). Place the Friction Disc in parallel to the Yoke Bracket and then place the Yoke opposite and in line with it.
3. Place the Thrust Bearing set (900-0614) on outer side of the Yoke, and then install the Adjustable Handle (900-0672).
4. Press and spin clockwise the Adjustable Handle to allow the threaded screw to go into the threaded hole of the Yoke Bracket. Rotate until the joint is tightened.

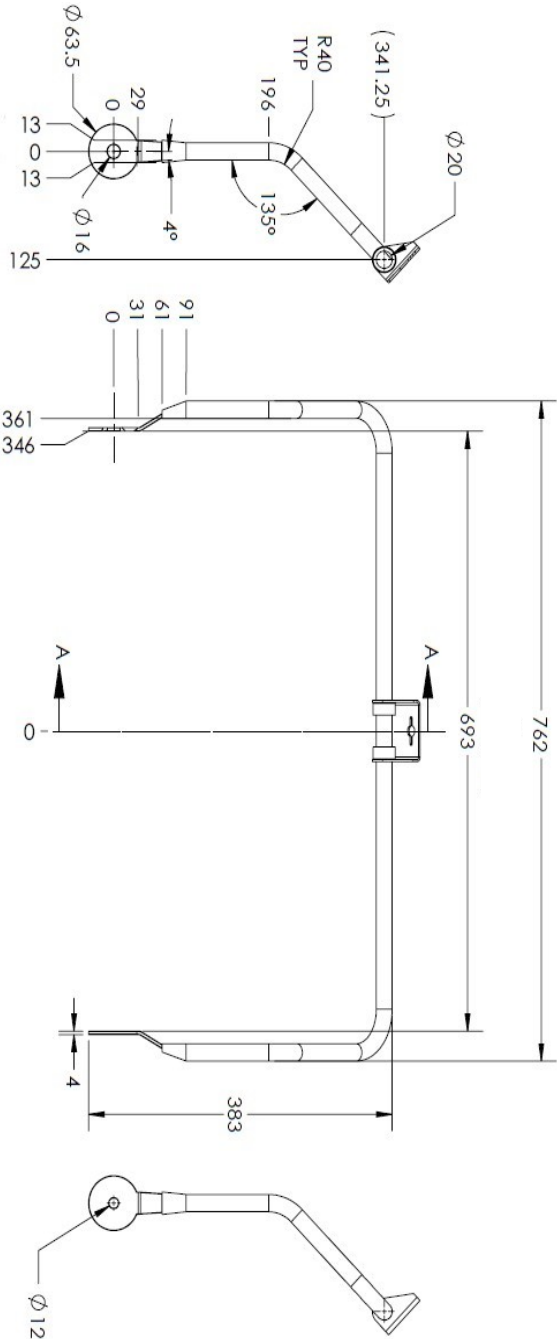


6. On the yoke arm with the 16 mm diameter hole, place the Friction Disc (900-0595) in between Yoke Bracket and the Yoke, then slide the Bushing Flanged 12MM BLK (412-5012-0) in slot, insert the M12X30 Bolt (412-1930-0) with the 2nd Thrust Bearing (900-0614) between Bushing and Bolt using a wrench. Tighten the Bolt completely to make a solid connection.



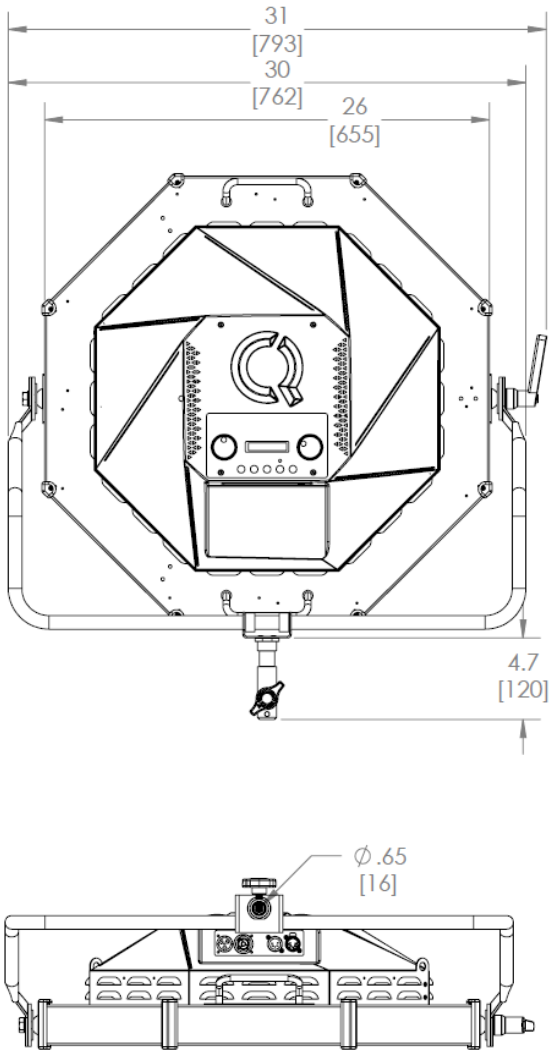
- Attach the Spigot to the Yoke using the M12X40 SHSC Screw, placing the 1/2" washer and 12 mm spring washer in between. Use appropriate Allen key to tighten the M12X40 Screw to make a solid connection. Attach the Knob to the spigot.

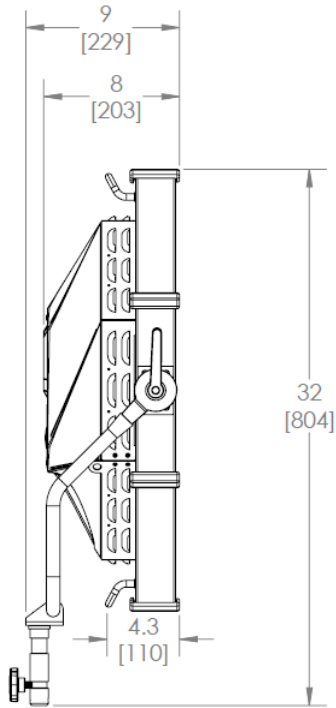




Offset Yoke (650-0055)

Chroma-Q Space force with Offset Yoke Accessory





Disclaimer

Dimensions and illustrative drawings contained herein are accurate to the company's knowledge at the time of printing, however specifications are subject to change without notice.

Further Information

Please refer to the Chroma-Q Space Force™ manual for more detailed information. A copy of the manual can be found at the Chroma-Q website –

<http://www.chroma-q.com/support/downloads.asp>

Approvals & Disclaimer



The information contained herein is offered in good faith and is believed to be accurate. However, because conditions and methods of use of our products are beyond our control, this information should not be used in substitution for customer's tests to ensure that Chroma-Q products are safe, effective, and fully satisfactory for the intended end use. Suggestions of use shall not be taken as inducements to infringe any patent. Chroma-Q sole warranty is that the product will meet the Chroma-Q sales specifications in effect at the time of shipment. Your exclusive remedy for breach of such warranty is limited to refund of purchase price or replacement of any product shown to be other than as warranted.

Chroma-Q reserves the right to change or make alteration to devices and their functionality without notice due to on-going research and development.

The Chroma-Q Space Force has been designed specifically for the lighting industry. Regular maintenance should be performed to ensure that the products perform well in the entertainment environment.

If you experience any difficulties with any Chroma-Q products please contact your selling dealer. If your selling dealer is unable to help please contact support@chroma-q.com. If the selling dealer is unable to satisfy your servicing needs, please contact the following for full factory service:

Outside North America: North America:
Tel: +44 (0)1494 446000 Tel: +1 416-255-9494
Fax: +44 (0)1494 461024 Fax: +1 416-255-3514
support@chroma-q.com support@chroma-q.com

For further information please visit the Chroma-Q website at www.chroma-com.

Chroma-Q is a trademark, for more information on this visit www.chroma-q.com/trademarks.

The rights and ownership of all trademarks are recognized.