

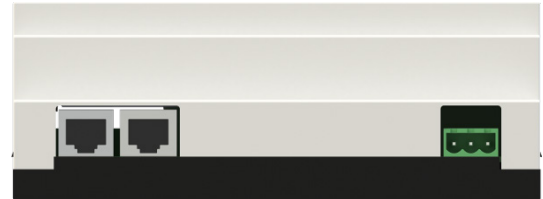
Ethernet-DinMX4

Specifications

Connectivity	
DMX	4 x three poles pluggable terminal block or 4 x RJ45 (on demand)
Network	2 x RJ45
Power	1 x three poles pluggable terminal block
Mounting	DIN Rail
DMX Features	
Supported Protocols	DMX512 (1986 & 1990), DMX512-A, RDM ANSI E1.20
DMX Port Direction	Input or output (configurable)
DMX Port Isolation	Optic and galvanic isolation per port
DMX Port Termination/Biasing	✓
DMX Timing	Framerate: 10/40fps / Break: 176-352 μ s
Ethernet Features	
Supported Protocols	Art-Net™, sACN ANSI E1.31
Port Speed	10/100Mbps
Port Sensing	Auto-negotiation, MDI /MDIX
Additional Features	
Merging Engine	✓
Softpatch	✓
Trigger System	✓
ReRoute	✓
Profile Manager	✓
Snapshot	✓
Monitoring Software	LumiNet Monitor V2
Status Report	
Ethernet Port Connection	Link and Activity LED
Power	LED indication
Power Input	
Power Input	24 VDC
Power Consumption	Maximum 10W
Power over Ethernet (PoE) support	✓ PD Type1 Class 0
Environmental	
Operating Temperature	0 to +60 °C
Storage Temperature	-10 to +70 °C
Humidity (non condensing)	5 to 95 % RH
Physical	
Enclosure	Standard DIN rail ABS enclosure
Dimensions (W x D x H)	156.3 x 57.8 x 86 mm 6.15" x 2.28" x 3.39"
Packaging	305 x 215 x 110 mm
Weight	0.27Kg
Approvals	
CE	✓
EN 55022	✓
EN 55024	✓
EN 60950-1	✓
RoHS Compliance	✓



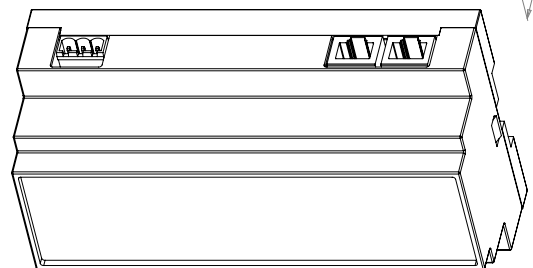
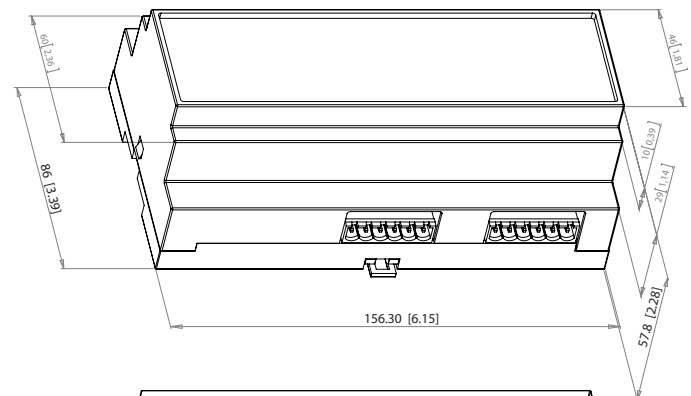
Front view



Top view



Bottom view



Luminex LCE operates a policy of continuous development. Luminex LCE reserves the right to make changes and improvements to any of the products described in this document above without prior notice. Specifications are subject to change without notice.