

1

2

3

4

5

E

E

D

D

C

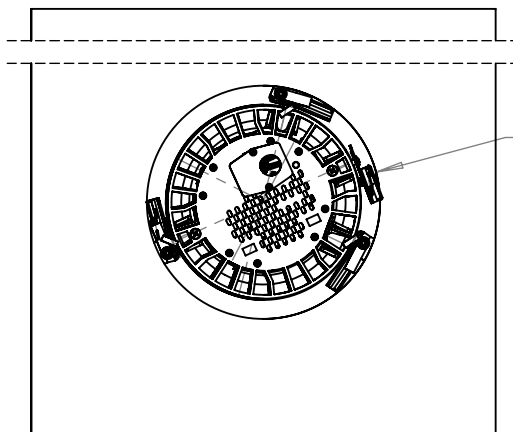
C

B

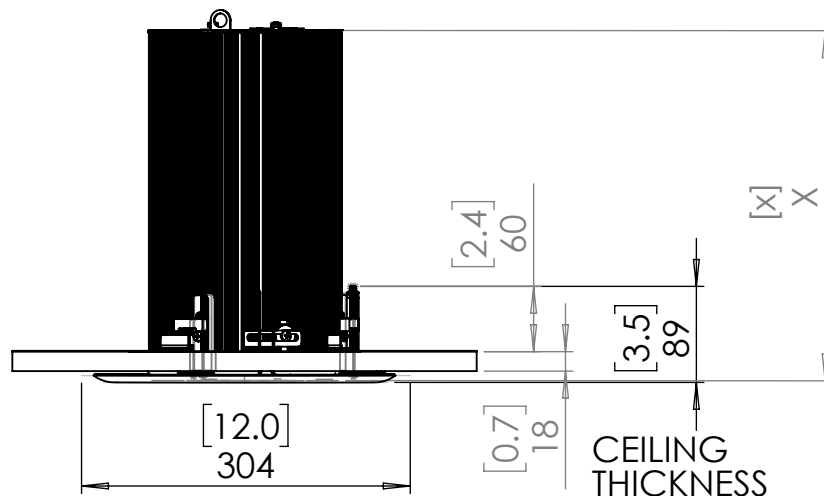
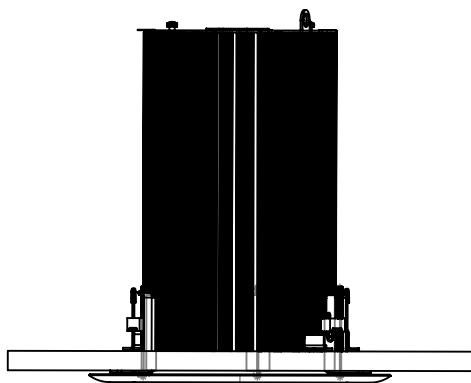
B

A

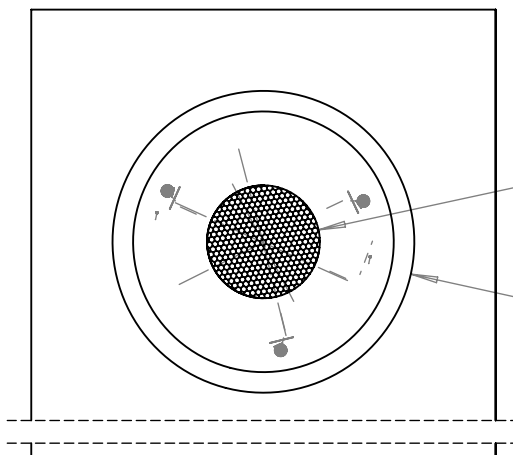
A




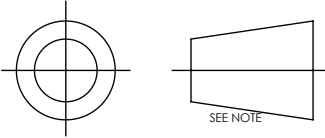
[4.3]  
R108  
CEILING CUT OUT



Overall Dimension Table		
INSPIRE	X (in)	[x] (mm)
MINI	6.8	172.7
REGULAR	12.8	325.1
MD	12.8	325.1
XT	18.8	477.9



[2.1]  
R52  
[5.5]  
R140

 <b>Chroma-Q™</b> BRILLIANT SOLUTIONS		ALL INFORMATION CONTAINED IN THIS DOCUMENT IS PROPERTY OF CHROMA-Q AND MAY NOT BE REPRODUCED IN WHOLE OR PART WITHOUT PERMISSION OF CHROMA-Q	
UNLESS OTHERWISE SPECIFIED ALL DIMENSIONS ARE IN MM [INCHES]		TITLE: <b>BLIND MOUNT KIT INSPIRE ACCESSORIES</b>	
THIRD ANGLE PROJECTION  SEE NOTE		SIZE <b>A</b>	PART NO. <b>632-9120</b>
		SCALE: 1:20	REV <b>A</b>
		WEIGHT: -	SHEET 1 OF 2

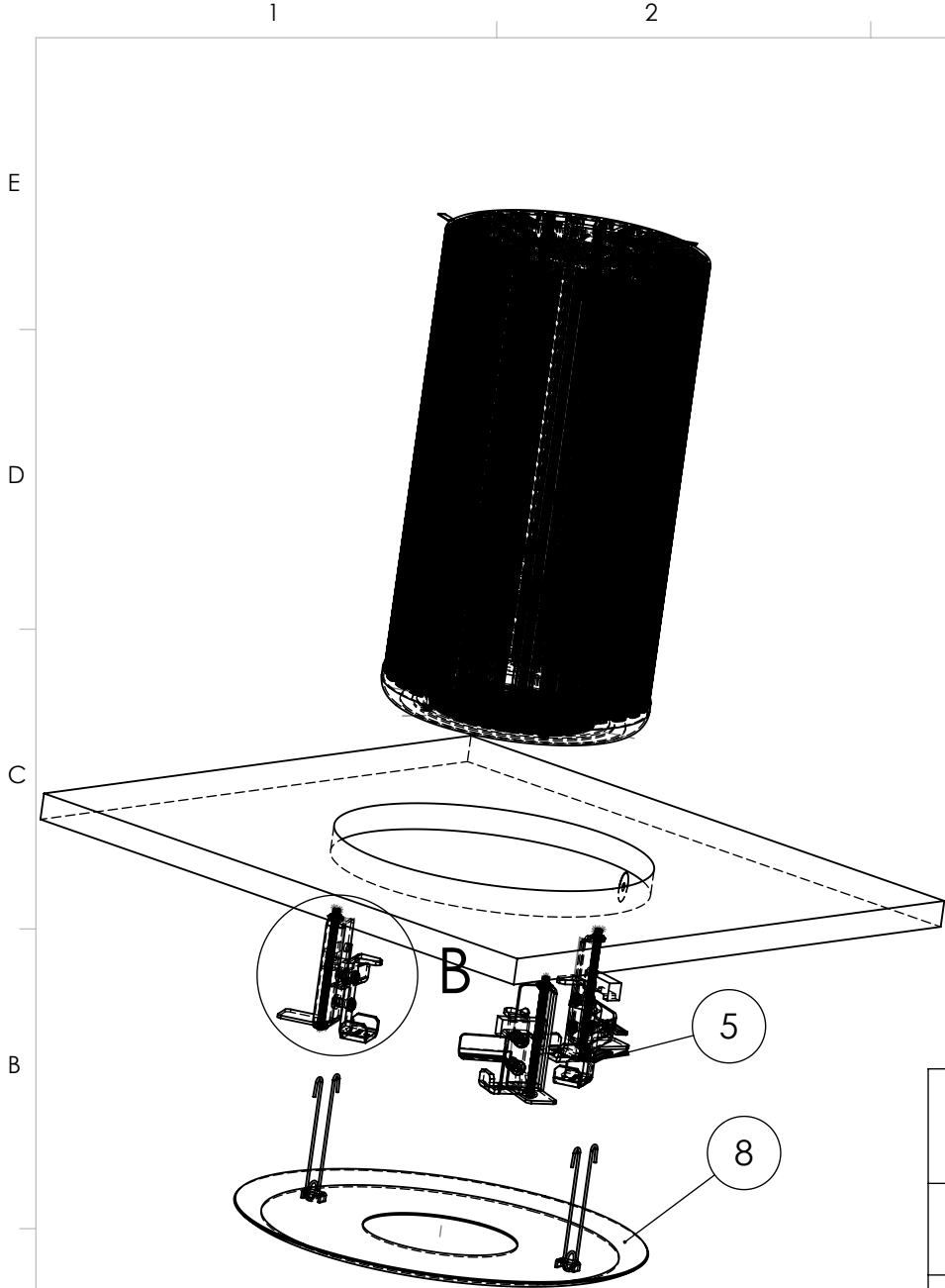
1

2

3

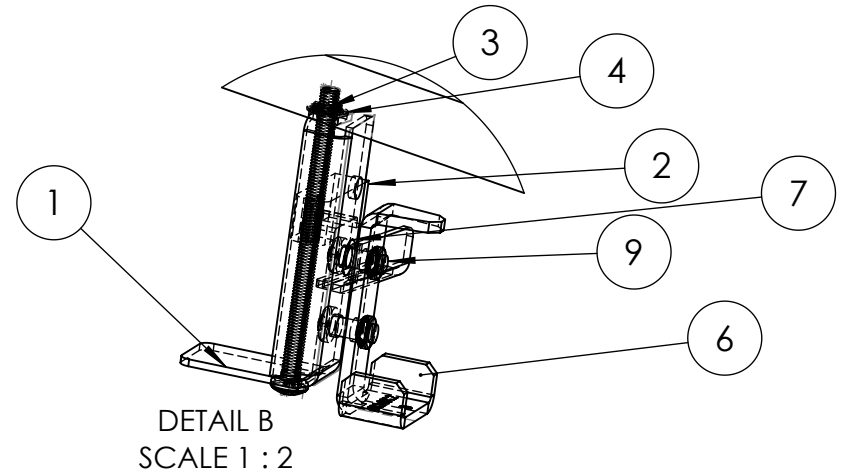
4

5



NOTE:  
USE DRAWING 632-9003 FOR CLARIFICATION

ITEM NO.	PART NUMBER	DESCRIPTION	QTY.
1	632-9001	BRACKET BLIND MOUNT CLAMPING	3
2	632-9002	FLAG BLIND MOUNT CLAMPING	3
3	450-1280-1	SCREW M5 PH 80MM ZN	3
4	450-3401	PUSH NUT M5 THICKNESS1MM	3
5	632-9004	BRACKET TRIMRING MOUNT INSPIRE	1
6	632-0012	BRACKET HOOK	4
7	450-2420-1	WASHER M5 20MM OD	4
8	632-9005	TRIM RING BLIND MOUNT 632	1
9	450-1212-0	SCREW M5x12 PH PLPS BLK	7



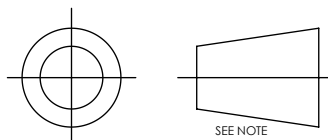
ALL INFORMATION CONTAINED IN THIS DOCUMENT IS PROPERTY OF CHROMA-Q AND MAY NOT BE REPRODUCED IN WHOLE OR PART WITHOUT PERMISSION OF CHROMA-Q

UNLESS OTHERWISE SPECIFIED ALL DIMENSIONS ARE IN MM [INCHES]

TITLE:

**BLIND MOUNT KIT  
INSPIRE ACCESSORIES**

THIRD ANGLE PROJECTION



SIZE  
A

PART NO.

632-9120

REV  
A

SCALE: 1:20

WEIGHT: -

SHEET 2 OF 2