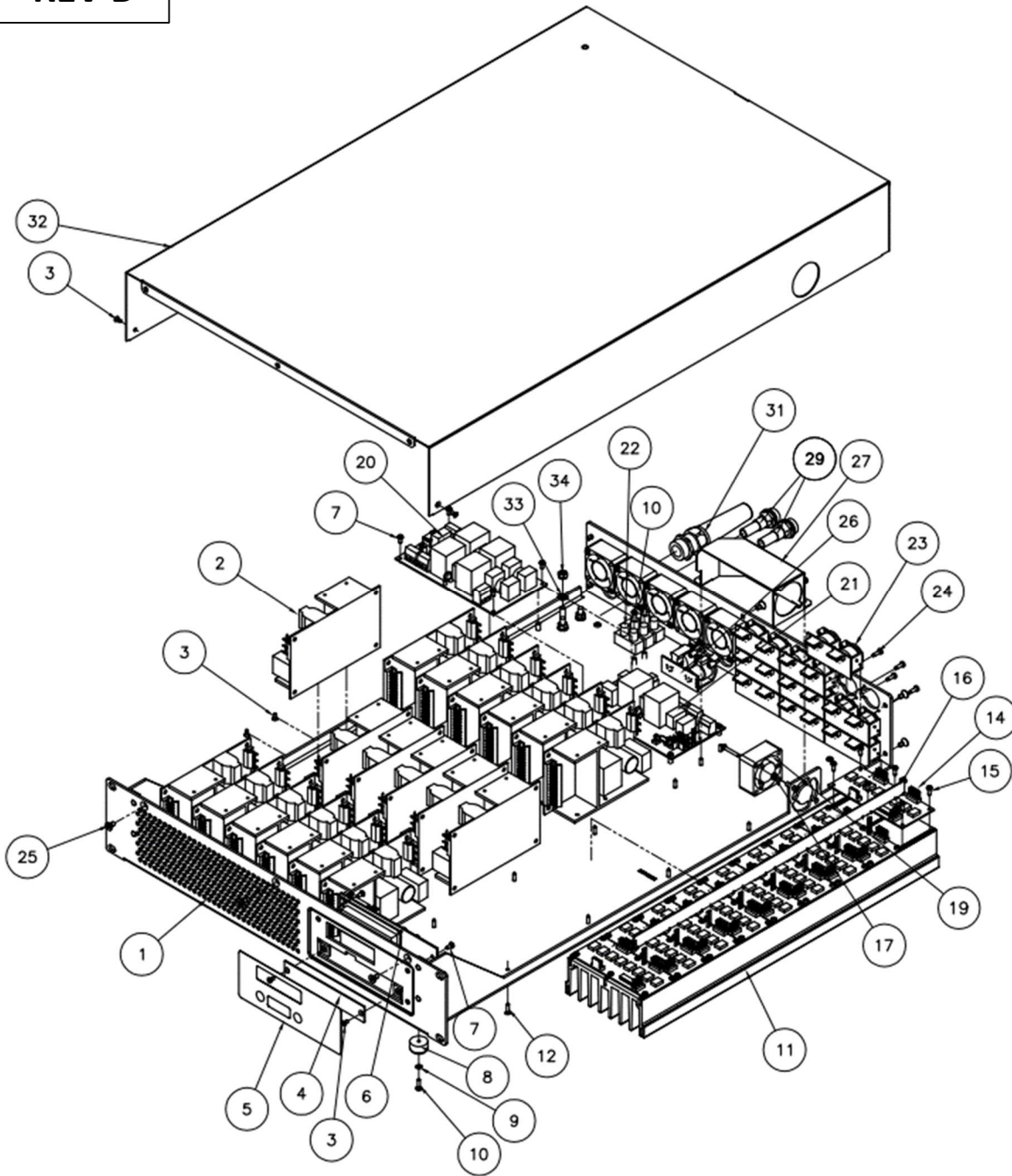


**REV B**



**COLOR SPAN PS18**

No.	DESCRIPTION	Part Number	Qty.
1	CHASSIS PSU18	617-0001	1
2	POWER SUPPLY UNIT 16V (Brown O-ring)/ 32V (Orange)/ 48V (Yellow)	900-XXXX 1078/2026 /0642	18
3	SCREW M3x6 FH PLPS Blk	430-1106-0	40
4	PCB COMPLETE CAP SENSE	617-0022	1
5	OVERLAY PSU STRIP	617-0014	1
6	PCB COMPLETE ADDRESSING PSU STRIP	617-0013	1
7	SCREW M3x6 PH PLPS Blk	430-1206-0	11
8	BUMPER RECESSED RBW-0718-01	312-5372-8	4
9	WASHER LOCK M3 Blk	430-2806-4	4
10	SCREW M3x10 PH PLPS Blk	430-1210-0	6
11	HEATSINK 16.5" BLK	617-0010	1
12	SCREW SELF TAP FH PZDV BLK ST2.9x13	429-6113-9	8
13	INSULATION THERMALLY CONDUCTIVE 150mm	900-2013	1
14	PCB COMPLETE CURRENT CONTROL RGBA/DAYLIGHT/VARIABLE/UV	617-00XX 41/42/43/50	9
15	SCREW SELF TAP SS PH PLPS ST2.9x9.5	429-6210-2	54
16	PCB COMPLETE INTERCONNECT 18	617-0007	1
17	ORING 4.1mm NBR70 1.6mm W	440-5516-8	12
18	SCREW M3x20 PH PLPS BLK	430-1220-0	12
19	FAN ASSEMBLY 602	100-0033	6
20	PCB COMPLETE FILTER/STAGE SWITCH	602-0071	1
21	PCB COMPLETE FILTER PSU 6	617-0016	1
22	SCREW TERM 10Ga 3 POSITION	900-0907	1
23	PCB COMPLETE ETHERCON/STRIP	617-0009	9
24	SCREW M3x10 PH PLPS BLK Plastite	429-1208-9	40
25	SCREW M4x8 FH PLPS BLK	440-1108-0	8
26	PCB COMPLETE XLR5 PSU STRIP	617-0020	1
27	BRACKET FUNNEL	617-0019	1
28	NUT HEX M3 COMBI Blk	430-3203-0	2
29	FUSE HOLDER 1/4x1&1/4" 20A	900-1022	2
31	STRAIN RELIEF SL-FLEX PG13	900-5123	1
32	COVER PSU18	617-0002	1
33	WASHER LOCK M5 EXT TOOTH Zn	450-2609-1	4
34	NUT HEX M5 COMBI Zn	450-3205-1	4
30	FUSE 3AG SB 20 A	900-1038	2
35	PSU18 AC IN (29.5")	100-0026	4
36	PSU18 AC IN (15.0")	100-0027	2
37	JUMPER ETHERCON TO CUR_CTRL PCB 20"	617-0023	6
40	JUMPER 2 PIN 10"LG	100-0020	2
41	HARNESS POWER STAGE SWITCH 27"	100-0021	1
44	HARNESS PSU-30 POWER IN (NA) / (EU)	602-00XX 72 / 47	1
45	GROUND CHASSIS TO COVER PSU-08	139-0013	1
38	JUMPER ETHERCON TO CUR_CTRL PCB 15"	617-0024	6
39	JUMPER ETHERCON TO CUR_CTRL PCB 10"	617-0025	6
42	HARNESS POWER STAGE SWITCH 22"	100-0022	1
43	HARNESS POWER STAGE SWITCH 17"	100-0023	1
46	HARNESS-BLK 602 FUSE TO TERM BLOCK	100-0052	1
47	HARNESS-WHITE 602 FUSE TO TERM BLOCK	100-0053	1
48	GROUND TERMINAL BLOCK PSU-30	100-0054	1