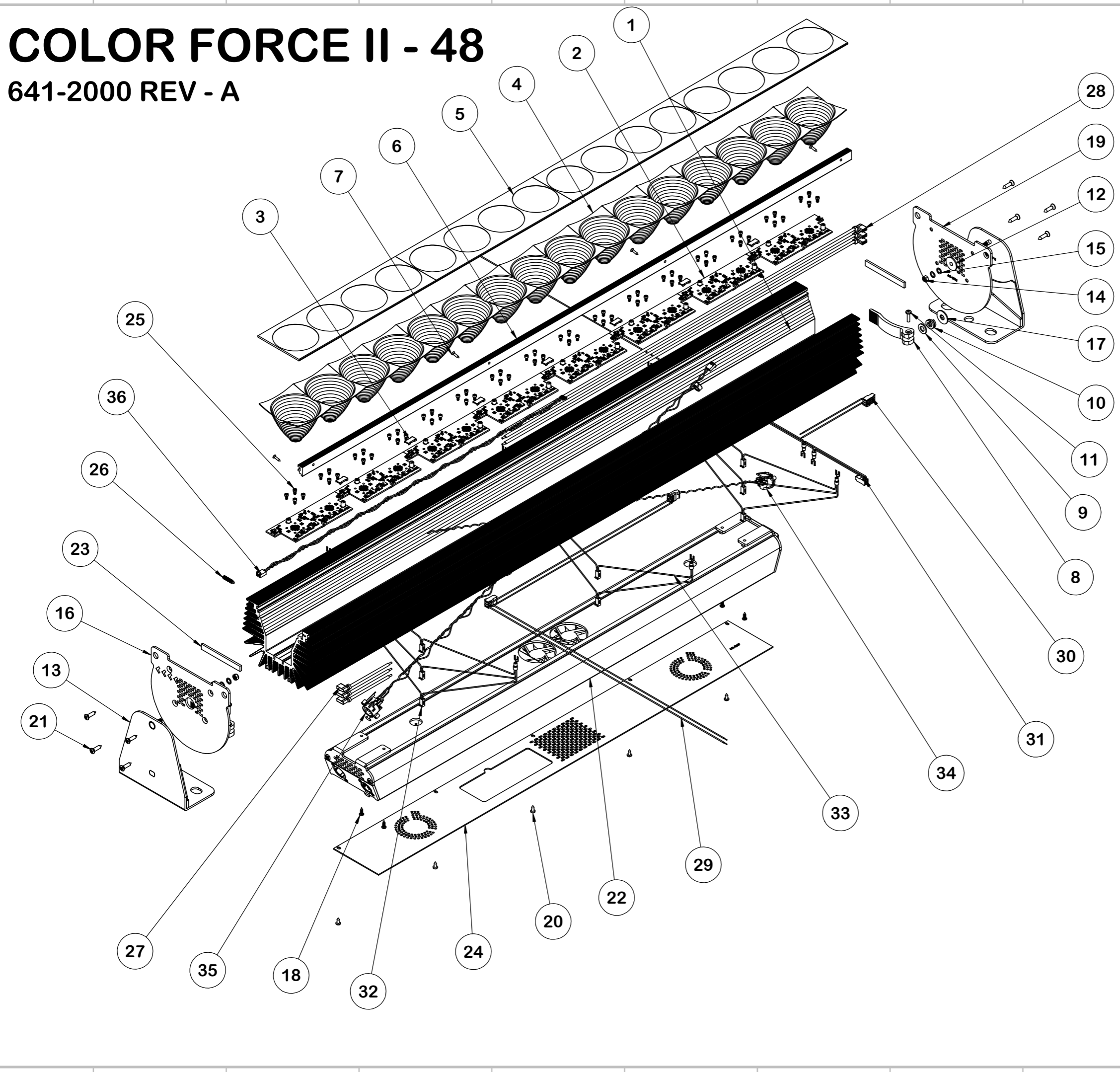


COLOR FORCE II - 48

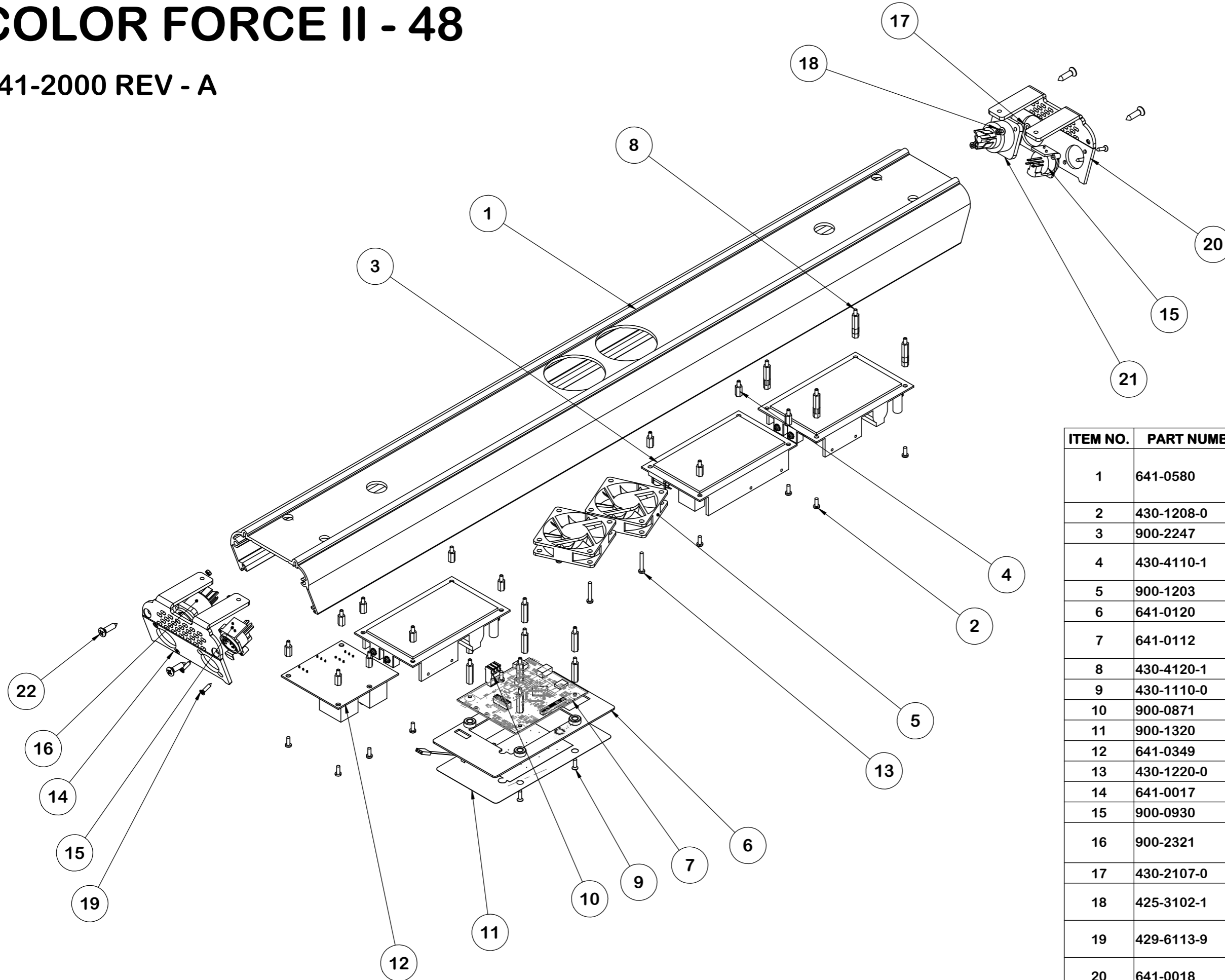
641-2000 REV - A



ITEM NO.	PART NUMBER	DESCRIPTION	QTY.
1	641-0570	EXTRUSION CF II MAIN MACHINED BLACK ANODIZED (46")	1
2	641-0105	PCB COMPLETE ENGINE CFII	8
3	900-2174	HIROSE BRIDGE (FLOATING PLUG) 3PIN	7
4	641-0320	REFLECTOR, CFII	16
5	641-0210	LENS CF II ASYMETRIC	4
6	641-0575	EXTRUSION CF II CLAMP MACHINED BLACK ANODIZED (46")	1
7	429-6113-9	SCREW SELF TAP FH PZDV BLK ST2.9x13 RoHS	4
8	622-0012	LEVER QUICK RELEASE	2
9	480-2518-1	WASHER FLAT M8 TYPE M	2
10	480-2914-4	WASHER DOUBLE SPRING M8	2
11	440-1216-0	SCREW M4x16 PH PLPS BLK	2
12	900-0655	BEARING F626ZZ 6mm W/FLANGE	2
13	622-0029	FOOT PLATE CF CFII BLK	2
14	450-3305-0	HEX NUT M5, NYLOCK BLK	2
15	326-2138-1	FLAT WASHER, 0.260" ID Ni	4
16	641-0014	END PLATE CFII LEFT BLK	1
17	480-2112-1	FLAT WASHER, M8 TYPE L ZPL	2
18	306-1235-1	SCREW #6 PH PHILIPS ZINC 7/16" LENGTH	4
19	641-0015	END PLATE RIGHT BLK, CFII	1
20	435-6295-0	SCREW SELF TAP PH PLPS BLK ST3.5x9.5 RoHS	5
21	450-6719-0	SCREW SELF TAP RAISED CS PLPS BLK ST4.8x19	8
22	641-0530	SHELL SUB-ASSEMBLY, CFII	1
23	900-0663	GASKET NEOPRENE 1/8x3/8 PSA	2
24	641-0115	CFII-48 CLOSING PLATE w/ Q logo	1
25	430-1406-0	SCREW M3 X 6 SHCS BLK	64
26	900-0407	PLUNGER SPRING STUBBY #10-32UNFx0.468 BLACK	2
27	641-0405	POWERCON TRUE 1 POWER IN TO FILTER PCB CFII 48	1
28	641-0415	POWERCON TRUE 1 POWER OUT FROM FILTER PCB	1
29	641-0424	ITW 0.156 FILTER PCB TO PSU 1-2 CFII 48	1
30	641-0425	ITW 0.156 FILTER PCB TO PSU 3 CFII 48	1
31	641-0444	HARNESS, AUX POWER AND COMMON NEG	1
32	641-0443	PSU TO ENGINES 1-3/5-7 CFII 48	2
33	641-0446	PSU TO ENGINES 4-5 CFII 48	1
34	641-0455	XLR-5 INPUT TO CTRL PCB	1
35	641-0465	XLR-5 OUTPUT FROM CTRL PCB CFII 48	1
36	641-0475	DATA TO 1ST ENGINE FROM CTRL PCB CFII 48	1

COLOR FORCE II - 48

641-2000 REV - A

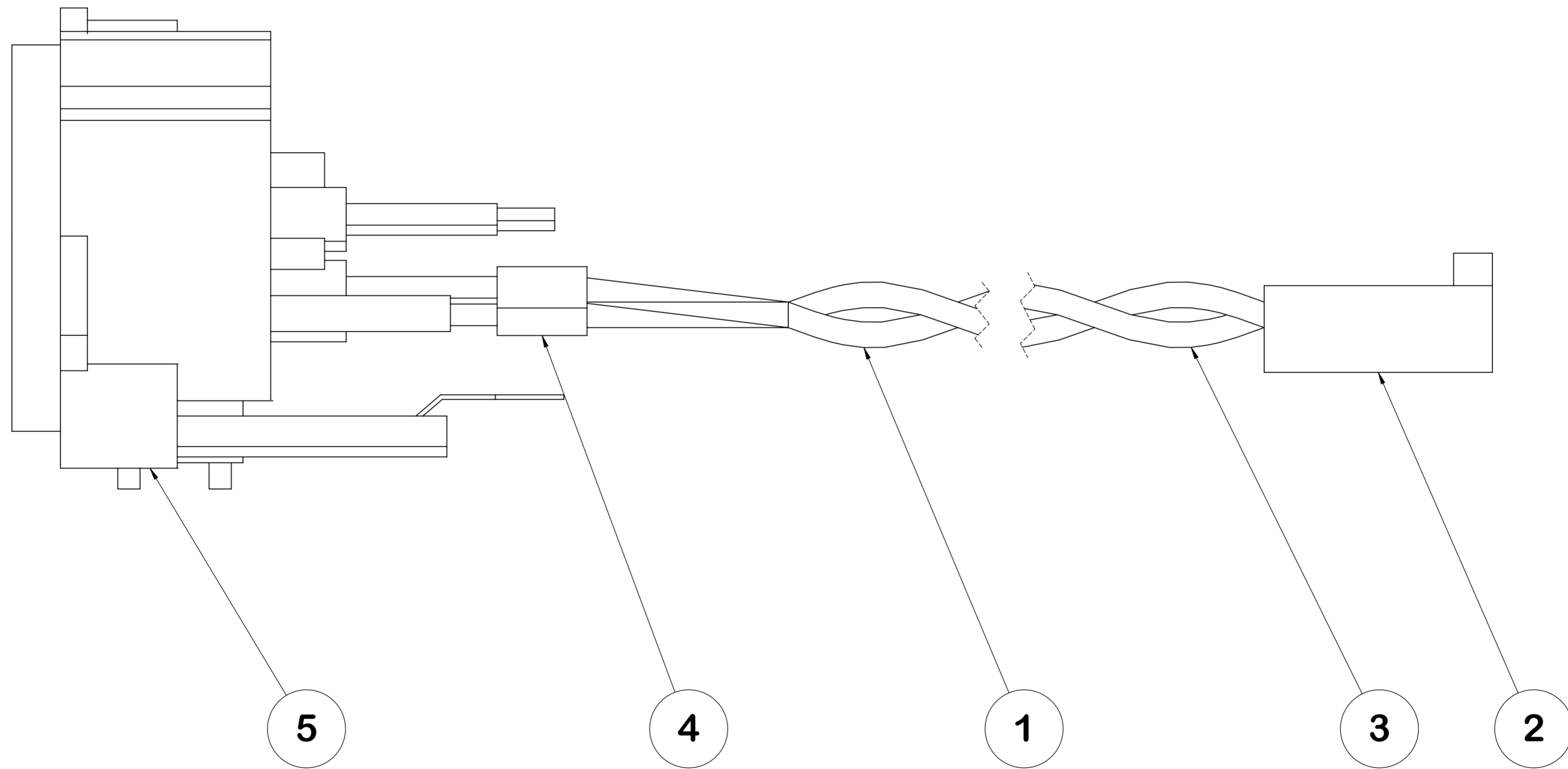


ITEM NO.	PART NUMBER	DESCRIPTION	QTY.
1	641-0580	EXTRUSION CF II BOTTOM SHELL MACHINED BLACK ANODIZED (34")	1
2	430-1208-0	SCREW M3x8 PH PLPS BLK	16
3	900-2247	PSU EOS 350W 22V	3
4	430-4110-1	STDOFF M-F M3x10x7, 6mm STUD	16
5	900-1203	FAN ASSEMBLY, 1x60x60	2
6	641-0120	CF II OVERLAY PLATE	1
7	641-0112	PCB COMPLETE CF II 48 ADDRESSING	1
8	430-4120-1	STDOFF M-F M3x20 STEEL Zn	12
9	430-1110-0	SCREW M3x10 FH PLPS BLK	4
10	900-0871	ITW PANCON CT156F18-3	1
11	900-1320	OVERLAY CFII	1
12	641-0349	PCB COMPLETE FILTER CFII	1
13	430-1220-0	SCREW M3x20 PH PLPS BLK	4
14	641-0017	Connectors in Plate CFII BLK	1
15	900-0930	XLR-5 FC PCB-V	2
16	900-2321	powerCON TRUE1 APPLIANCE INLET	1
17	430-2107-0	WASHER FLAT M3 BLK	8
18	425-3102-1	NUT HEX M2.5, 5.5mm AF, Zn PLATED	4
19	429-6113-9	SCREW SELF TAP FH PZDV BLK ST2.9x13 RoHS	4
20	641-0018	Connectors OUT Plate CFII BLK	1
21	900-2322	powerCON TRUE1 APPLIANCE OUTLET	1
22	450-6719-0	SCREW SELF TAP RAISED CS PLPS BLK ST4.8x19	4

COLOR FORCE II - 48

641-0455

ITEM NO.	PART NUMBER	DESCRIPTION	QTY.
1	810-0011	22 AWG BLACK STRANDED TR64	1
2	900-2065	MOLEX 3 PIN HOUSING	1
3	810-0038	22 AWG RED STRANDED TR64	1
4	900-5115	SHRINK TUBE 1/8"IDx3/8" BLACK	2
5	900-0931	XLR-5 MC PCB-V (CC)	1



COLOR FORCE II - 48

641-0465

ITEM NO.	PART NUMBER	DESCRIPTION	QTY.
1	810-0011	22 AWG BLACK STRANDED TR64	1
2	810-0040	22 AWG GREEN STRANDED	1
3	900-2065	MOLEX 3 PIN HOUSING	1
4	810-0038	22 AWG RED STRANDED TR64	1
5	900-5115	SHRINK TUBE 1/8"IDx3/8" BLACK	3
6	900-2090	FERRITE TUBULAR BEAD	1
7	900-0930	XLR-5 FC PCB-V	1

