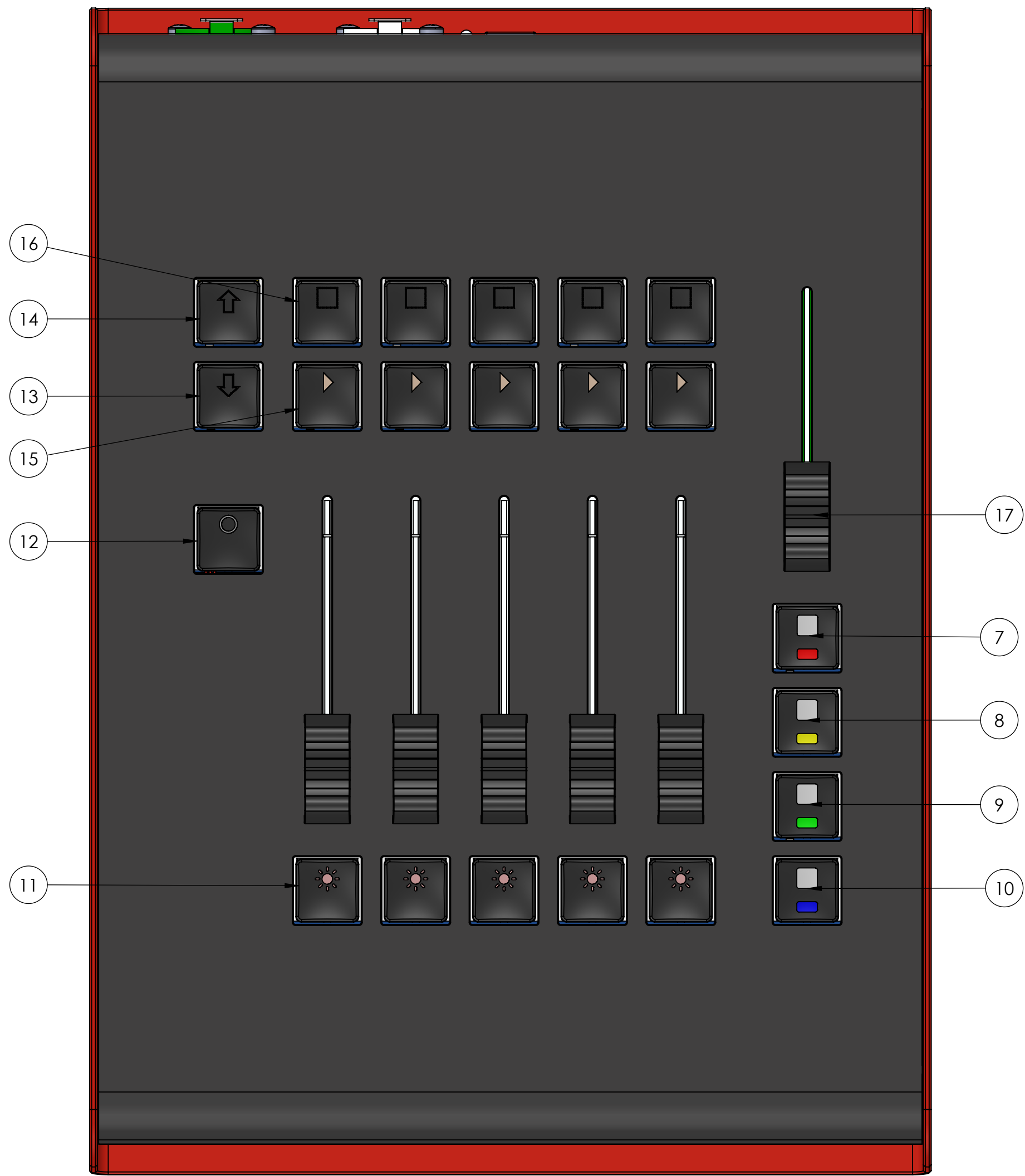
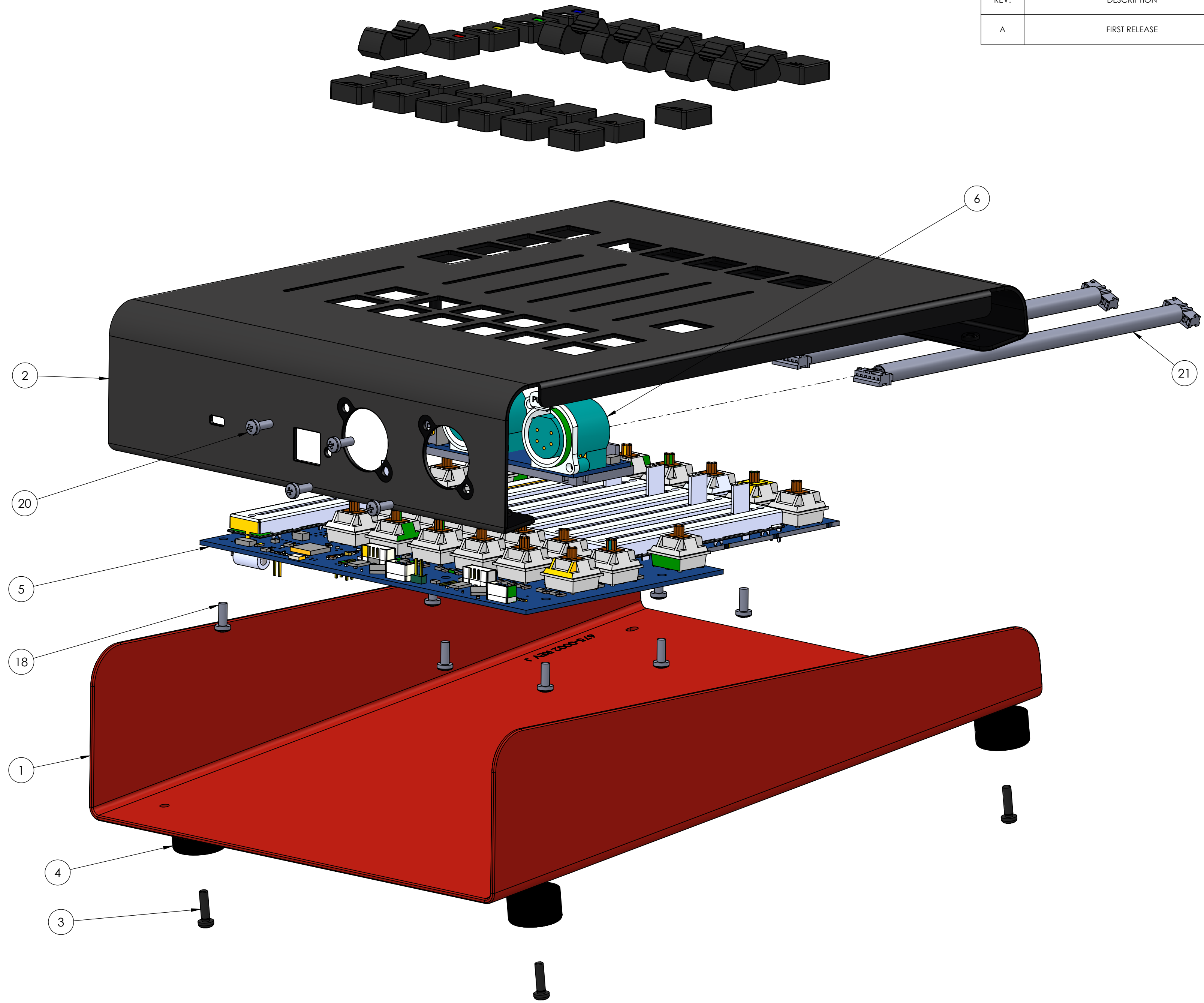


ITEM NO.	PART NUMBER	DESCRIPTION	QTY.
1	675-0002	CHASSIS BASE, VISTA MV CONSOLE	1
2	675-0501	SUB-ASSEMBLY CHASSIS COVER & OVERLAY FR VISTA MV	1
3	430-1210-0	SCREW M3x10 PH PLPS BLK	4
4	312-5372-8	FLAT TOP RECESSED BUMPER, RBM-0718-01	4
5	675-0201	VISTA MV MAIN BOARD	1
6	675-0201	VISTA MV XLR BOARD	1
7	1922-0001	SW CAP, CHERRY MX CUSTOM, VISTA3 MODIFIER RED	1
8	1922-0002	SW CAP, CHERRY MX CUSTOM, VISTA3 MODIFIER YELLOW	1
9	1922-0003	SW CAP, CHERRY MX CUSTOM, VISTA3 MODIFIER GREEN	1
10	1922-0004	SW CAP, CHERRY MX CUSTOM, VISTA3 MODIFIER BLUE	1
11	1922-0005	SW CAP, CHERRY MX CUSTOM, VISTA3 ASTERISK	5
12	1922-0037	SW CAP, CHERRY MX CUSTOM, VISTA3 INFO	1
13	1922-0006	SW CAP, CHERRY MX CUSTOM, VISTA3 DOWN ARROW	1
14	1922-0007	SW CAP, CHERRY MX CUSTOM, VISTA3 UP ARROW	1
15	1922-0009	SW CAP, CHERRY MX CUSTOM, VISTA3 PLAY	5
16	1922-0010	SW CAP, CHERRY MX CUSTOM, VISTA3 SELECT	5
17	1910-0002	POT KNOB FADER, 11mm, BLACK	6
18	430-1208-0	SCREW M3x8 PH PLPS BLK	8
19	900-0699	SILICONE RTV 6702, WHITE	1
20	429-6210-0	SCREW SELF TAP PH PLPS BLK ST2.9x9.5 RoHS	4
21	1915-0003	HARN B2B F-F 2023-06 6POS 0078 5.90" VISTA3 MV USB ZPL6349	2
22	1922-0036	SW TH CHERRY MX MX1A-G1NB	22
23	1910-0001	POT TH FADER RS60N1161A06	6

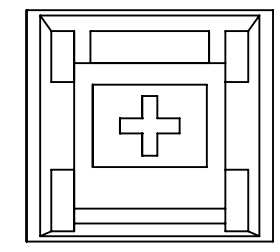
REVISIONS			
REV.	DESCRIPTION	DATE	APPROVED
A	FIRST RELEASE	4/25/2018	ENG



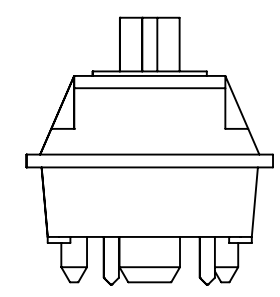
TOP VIEW

ADDITIONAL COMPONENTS:

ITEM 22:

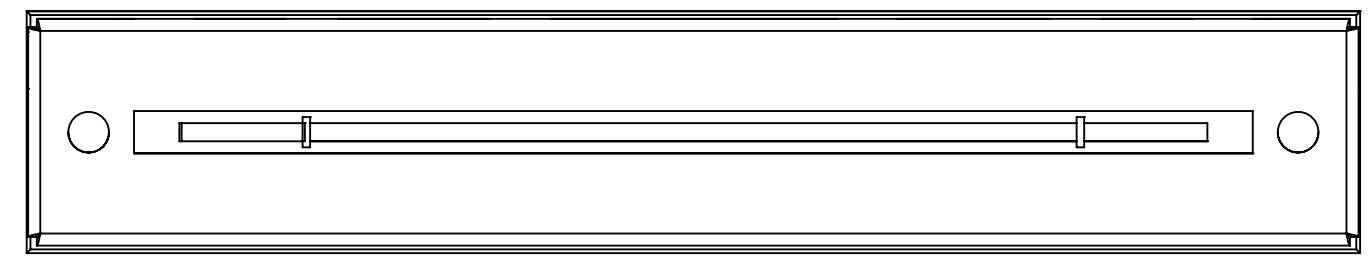


TOP VIEW

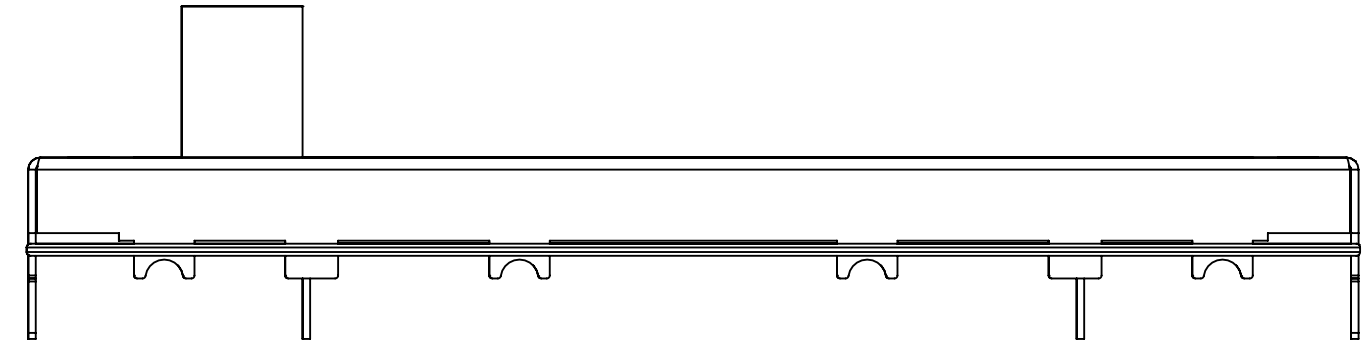


SIDE VIEW

ITEM 23:



TOP VIEW



SIDE VIEW

Chroma-Q
BRILLIANT SOLUTIONS

UNLESS OTHERWISE SPECIFIED ALL DIMENSIONS ARE IN MM [INCHES]

THIRD ANGLE PROJECTION

ALL INFORMATION CONTAINED IN THIS DOCUMENT IS PROPERTY OF CHROMA-Q AND MAY NOT BE REPRODUCED IN WHOLE OR PART WITHOUT PERMISSION OF CHROMA-Q

TITLE: VISTA MV EXPLODED VIEW		
SIZE A1	PART NO. 675-1000	REV A
SCALE: 1:2	WEIGHT: -	SHEET 1 OF 1