



Chroma-Q®
BRILLIANT SOLUTIONS



Chroma-Q® Brute Force™

Assembly guide

chroma-q.com

Contents

Safety Information	4
Lamp Fitting	5
Rain Protection Housing Fitting	6
Lamp Fitting When Using Rain Protection Housing	7
Rain Protection Housing Effective Tilt Range	8
Vinyl Covers	9
Rigging Options - Brute Force 6	10
Rigging Options - Brute Force 4	11
Fan Unit - Connection	12
Brute Force 6 Connection Options	13-16
Brute Force 4 Connection Options	17-18
Disclaimer	19



Chroma-Q[®]
BRILLIANT SOLUTIONS

Safety Information



WARNING!

Read the safety precautions in this section before installing, powering, operating or servicing this product.



Warning!
Safety Hazard.
Risk of severe injury or death.



Warning!
Fire Hazard.



Warning!
Hazardous Voltage.
Risk of severe lethal electric shock.



Warning!
Refer to User manual.

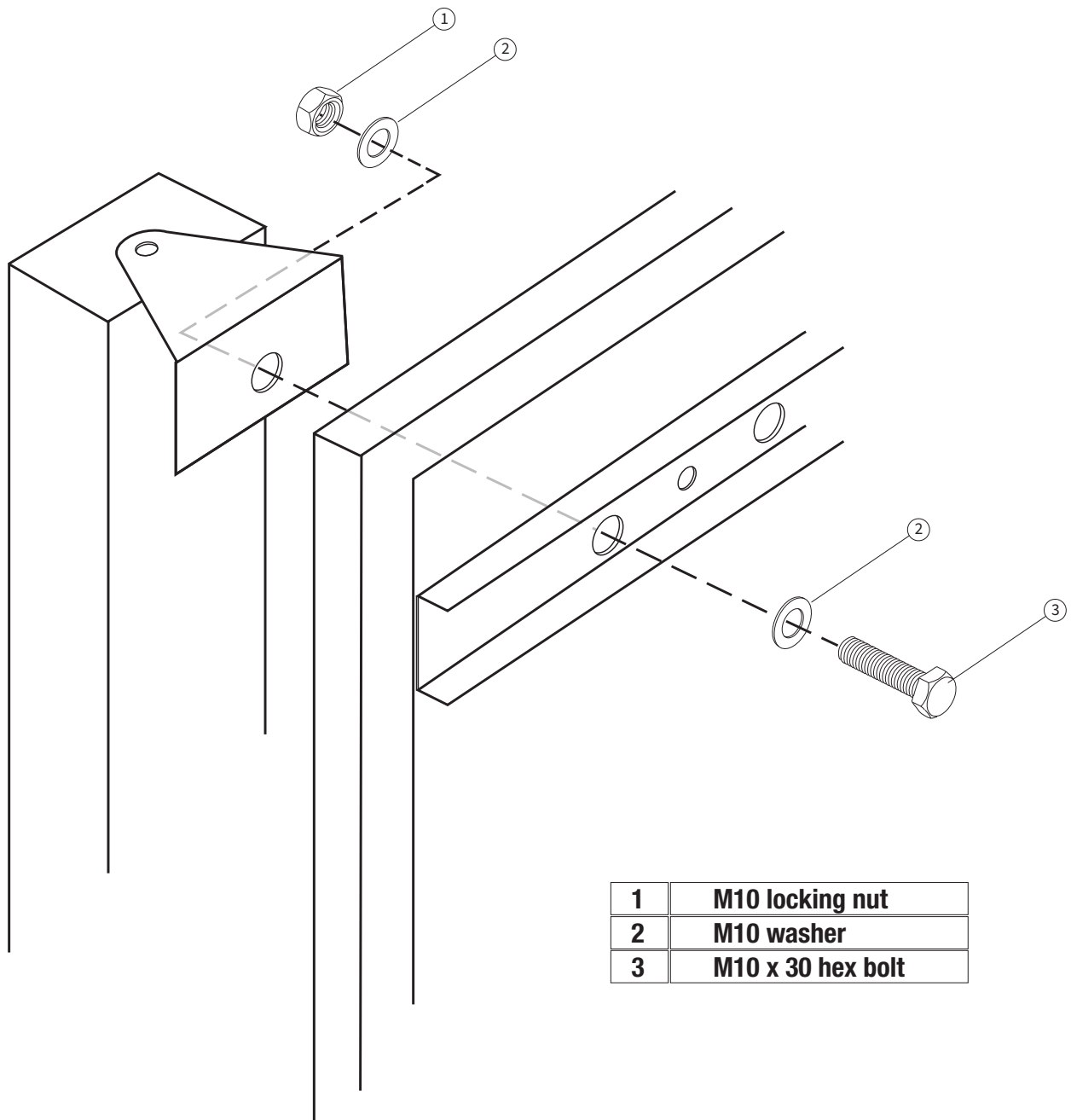
Warning!

- Read the user manual(s) before installing and operating the Chroma-Q Brute Force. For future reference, keep and use the manual.
- Safety precautions given in user manual must be followed at all times and the manuals of all the devices you connect it to. Observe all the warnings printed on devices and in manuals. Make sure whoever is involved in working on or using the Brute Force has carefully read and understood all the safety precautions and lasted warnings.
- Install, connect, operate and service devices only as described in this manual and in connected devices' manuals and only in accordance with local laws and regulations. All Chroma-Q manuals are supplied with devices and are also available for download from www.chroma-q.com.
- Brute Force does not have user-serviceable parts. Refer any operation not described in this manual to support@chroma-q.com.

If you experience difficulties with any Chroma-Q products please contact your local dealer. If your local dealer is unable to help then please contact support@chroma-q.com.

If you are having trouble finding what you are looking for on our website, then contact our Chroma-Q marketing department by sending an email to marketing@chroma-q.com.

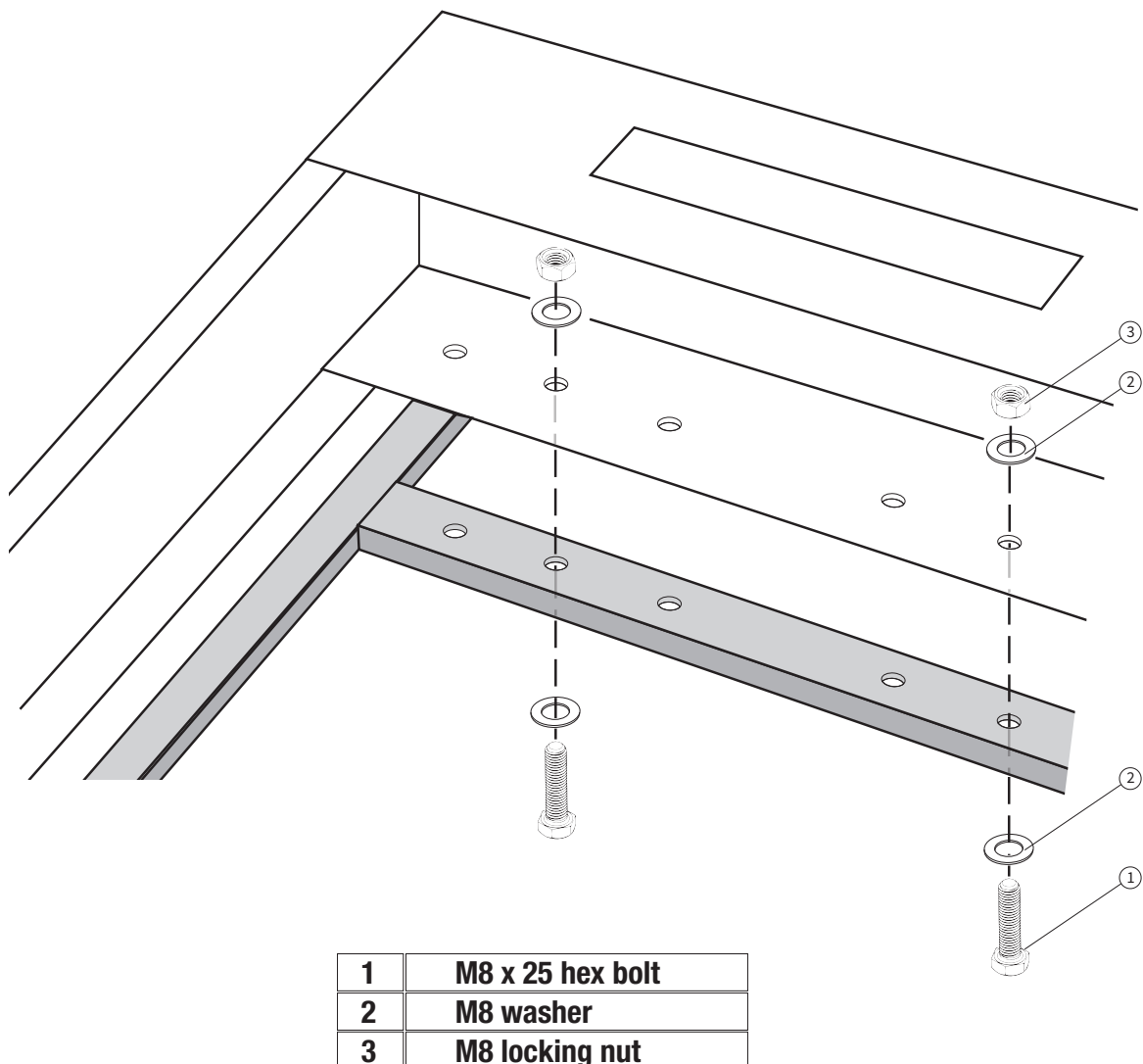
Lamp Fitting



1	M10 locking nut
2	M10 washer
3	M10 x 30 hex bolt

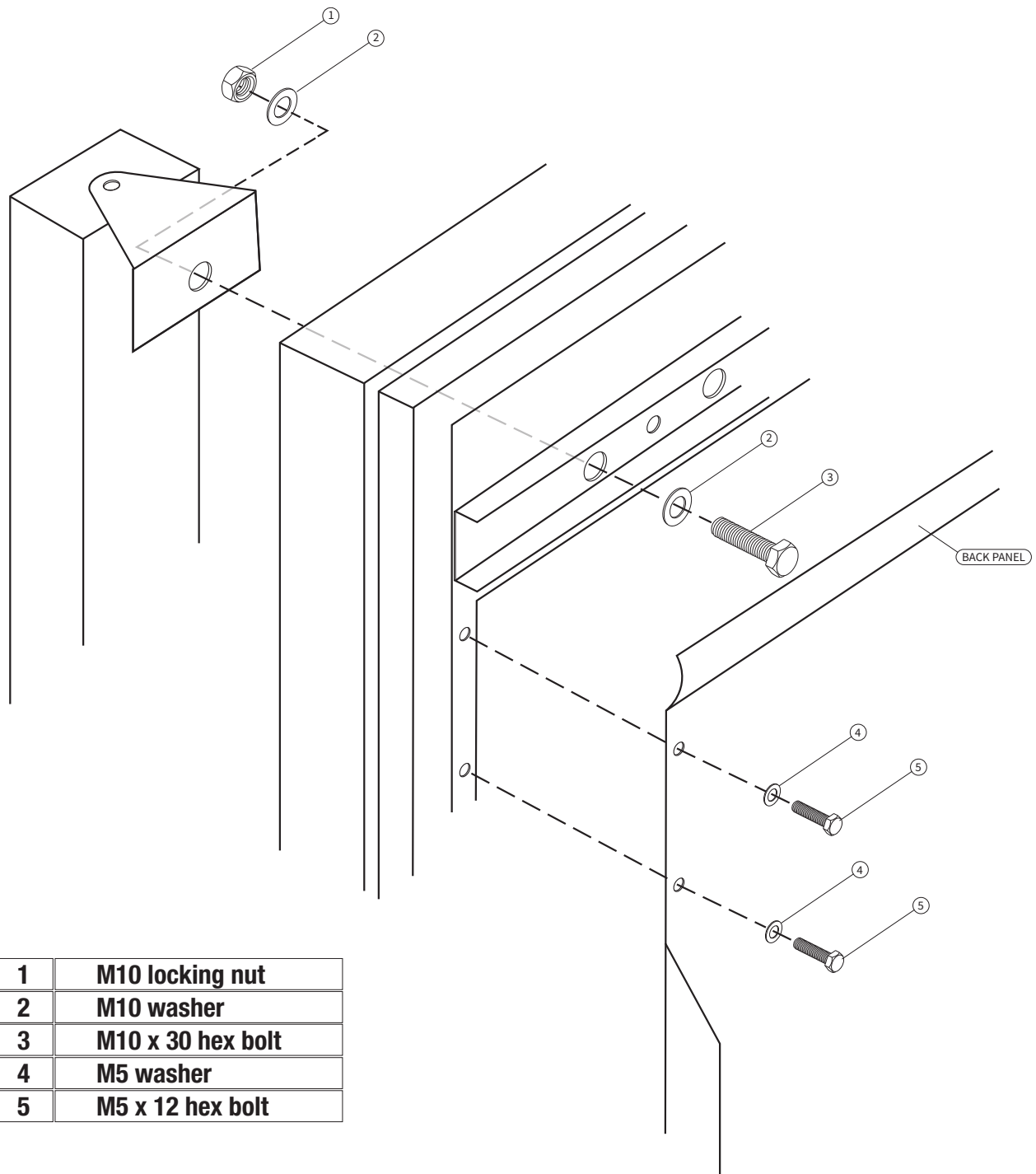
- Use M10 x 30 stainless steel hex bolts, washers and locking nuts provided
- For ease of assembly, fit top bolts & centre units first

Rain Protection Housing Fitting



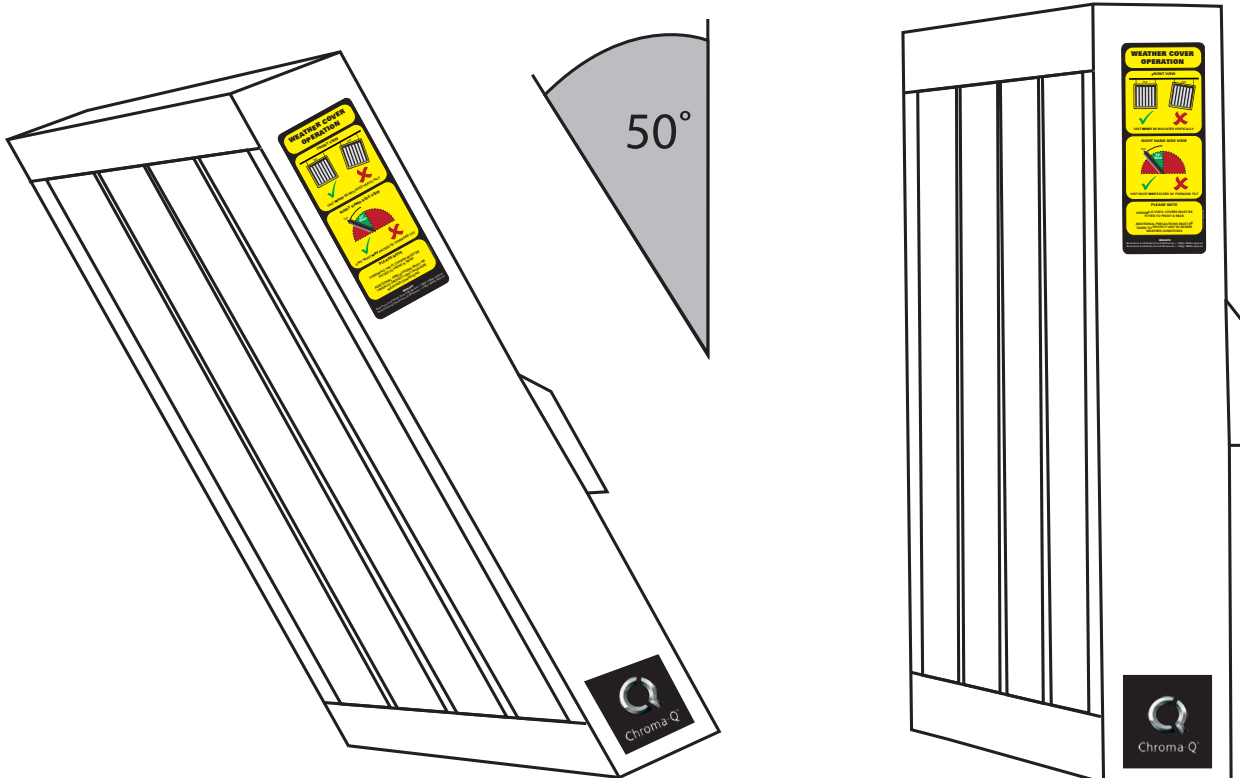
- Use M8 x 25 stainless steel bolts, washers and locking nuts provided
- Fit housing before fitting lamp units
- Ensure foam seals are in good condition

Lamp Fitting When Using Rain Protection Housing



- **Disconnect mains supply**
- **Remove back panel**
- **Use M10 x 30 stainless steel hex bolts, washers and locking nuts provided**
- **For ease of assembly, fit top bolts & centre units first**

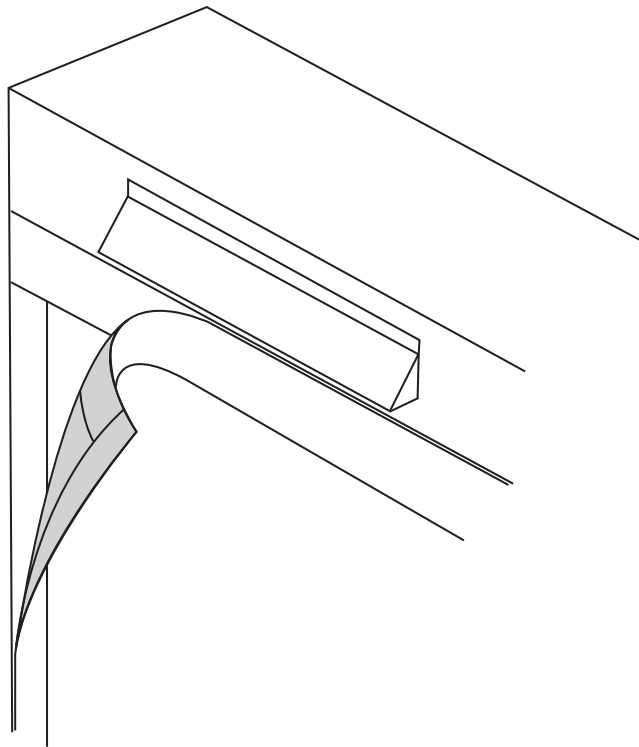
Rain Protection Housing Effective Tilt Range



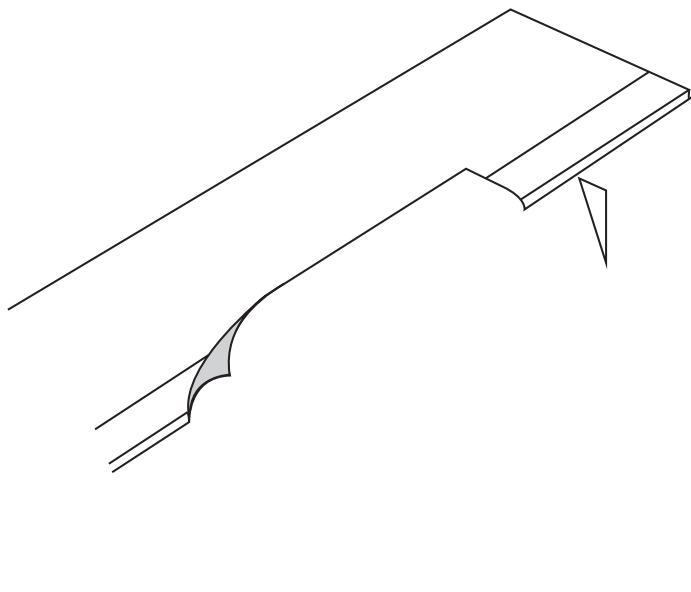
- **Unit must not exceed 50° forward tilt**
- **Ensure vinyl covers are fitted securely**
- **In severe conditions take additional precautions**
- **Be aware of heat gain in direct sunlight when vinyl covers are fitted**
- **If not required remove vinyl covers for additional cooling**

Vinyl Covers

Front

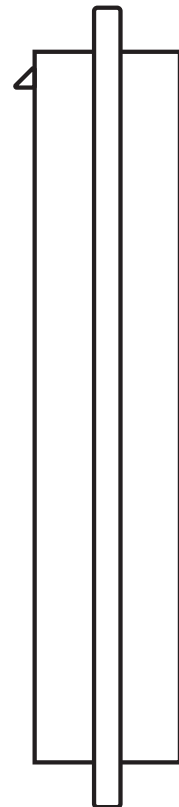
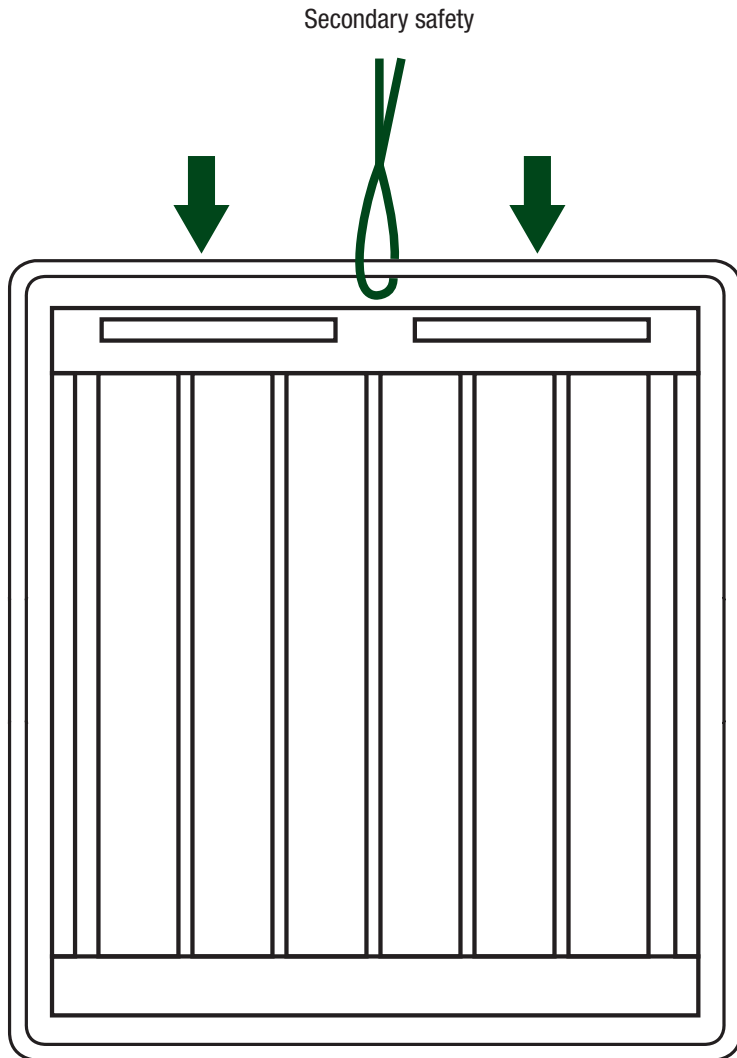


Back



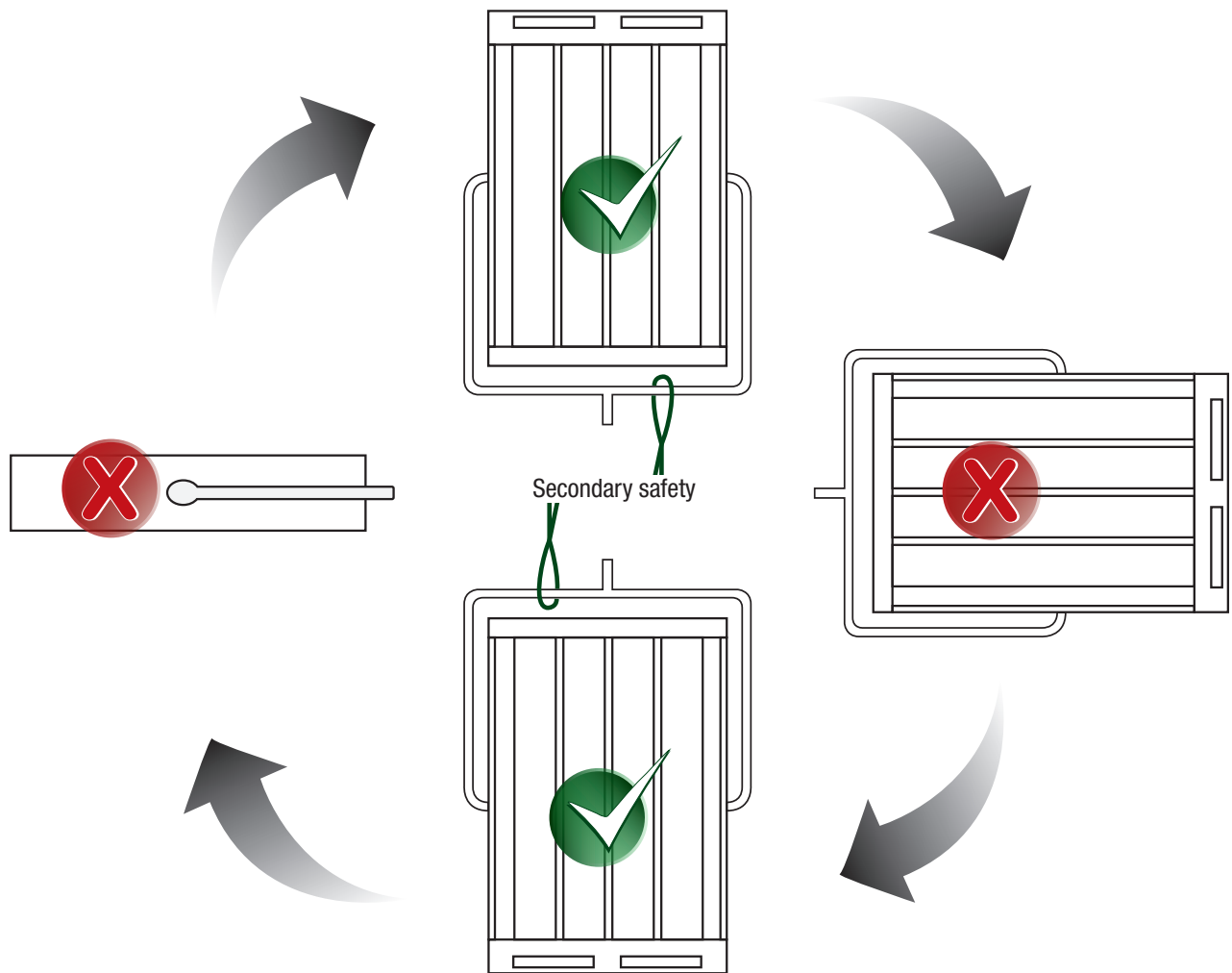
- **Ensure vinyl cover is fitted correctly to create a seal with the rain protection housing**
- **If not required remove covers for additional cooling**

Rigging Options - Brute Force 6



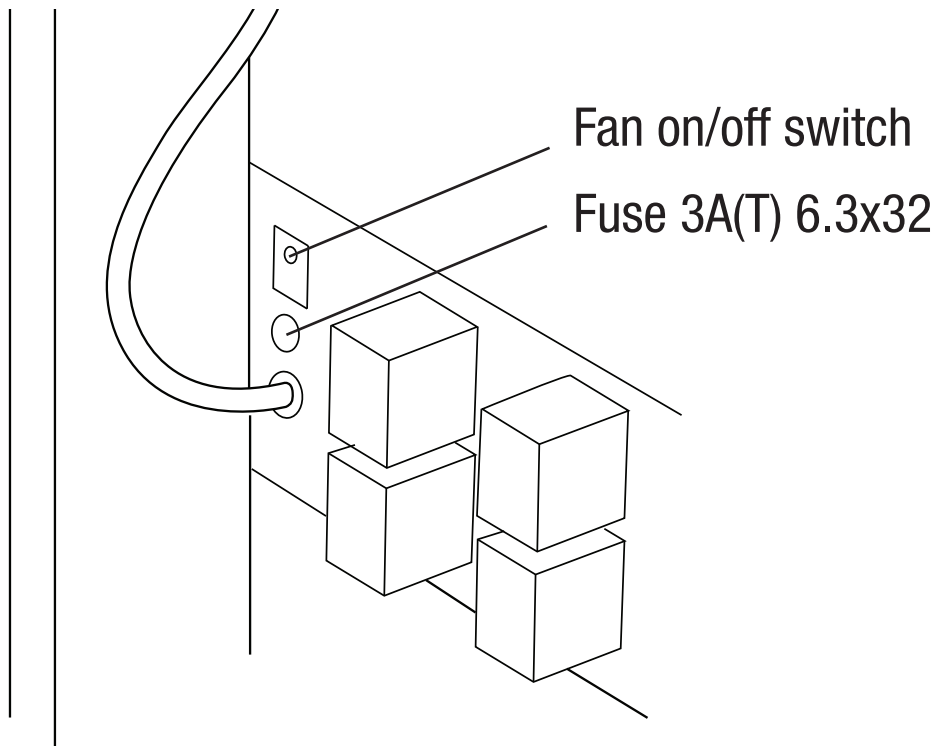
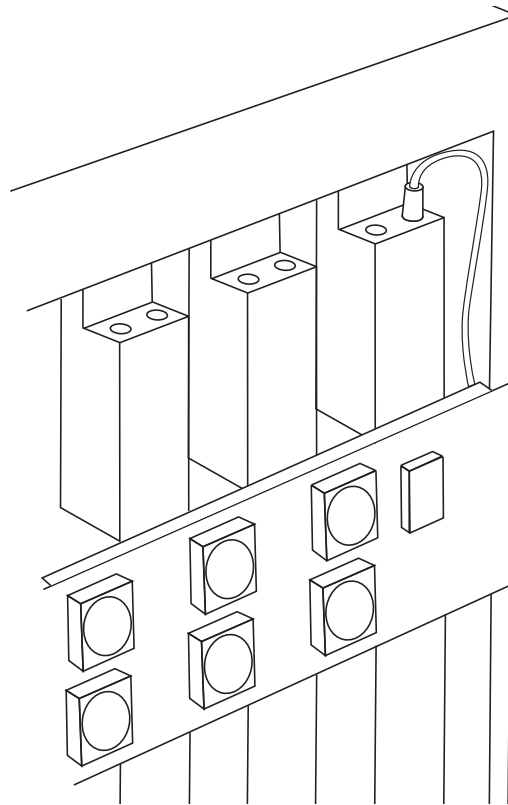
- **Use minimum 2 points of suspension**
- **Always use secondary safety precautions**

Rigging Options - Brute Force 4



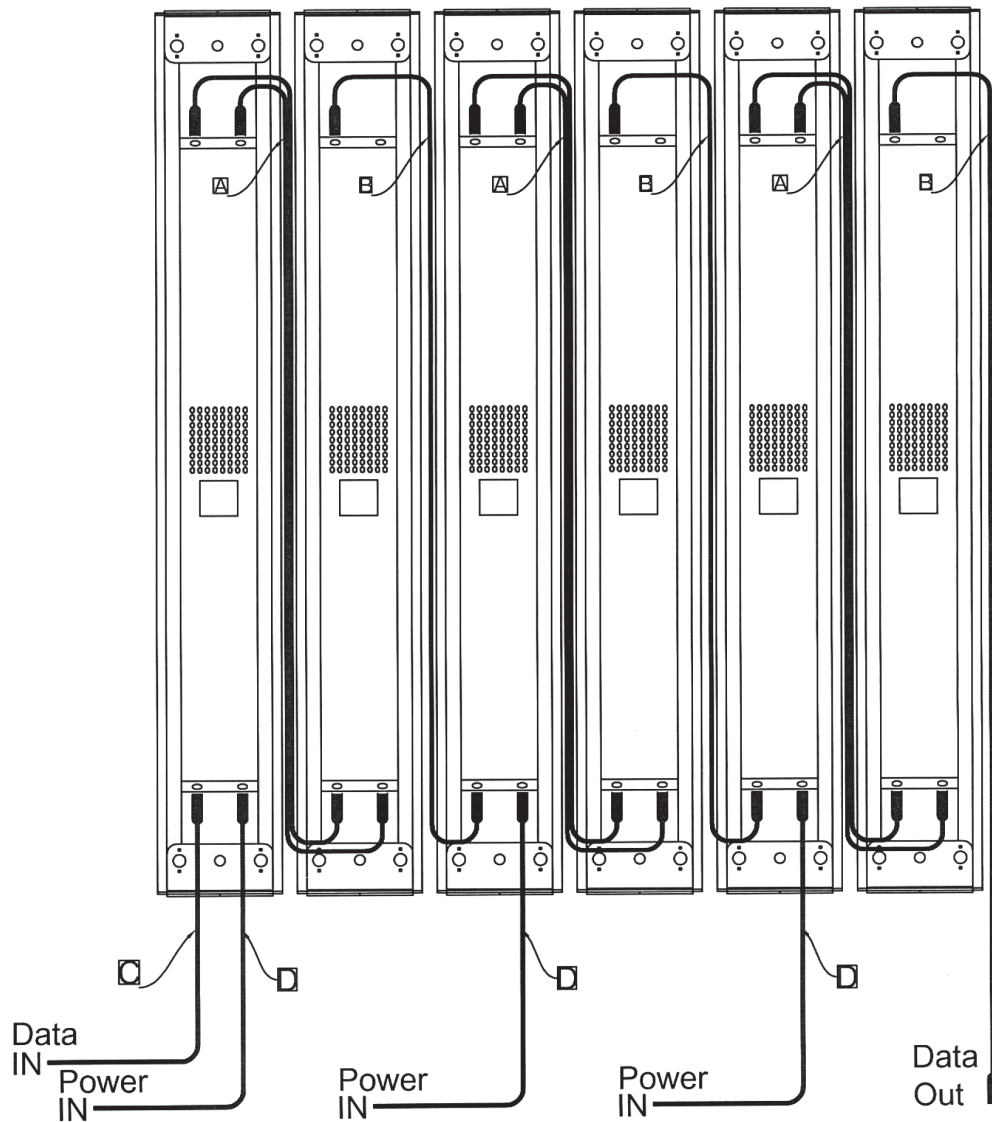
- **Always use secondary safety precautions**
- **Suspension Spigot / Junior Pin will be damaged by excessive side loading**
- **Spigot / Junior pin is factory fitted. If removed it must be re-installed following the factory instructions**
- **If Spigot / Junior pin misuse is suspected, the attachment bolt “M12 Socket Cap High Tensile 12:9 3.5” must be replaced for safety reasons**

Fan Unit - Connection



- **Disconnect mains supply before removing covers**
- **Remove back panel**
- **Make fan unit connection to final lamp unit**
- **Fan unit protection fuse 3A(T) 6.3x32**
- **Replace back panel**

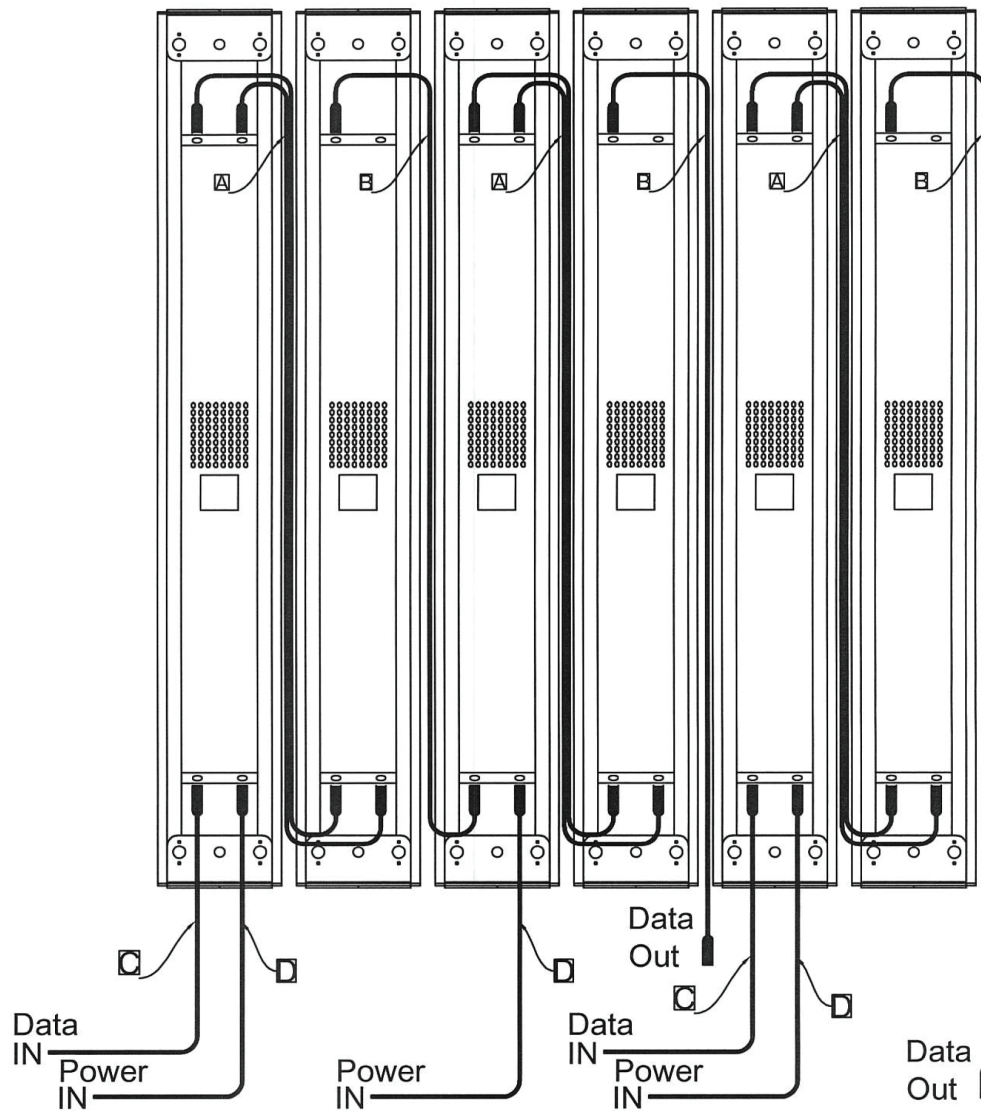
Brute Force 6 Connection Options



**Three Mains Feed
(115 V)
RGBW X1
(384 Channels)**

- A** **3 x hybrid link cable 1.6m**
MULPCTM/X5SM-PCTF/X5SFDHD-1.6
- B** **3 x DMX link cable 1.6m**
MUCX5SD1-1.6
- C** **1 x DMX in cable**
5pin X.L.R **Customer Specified**
- D** **3 x Power in Cable**
Neutrik True 1 TOP **Customer Specified**

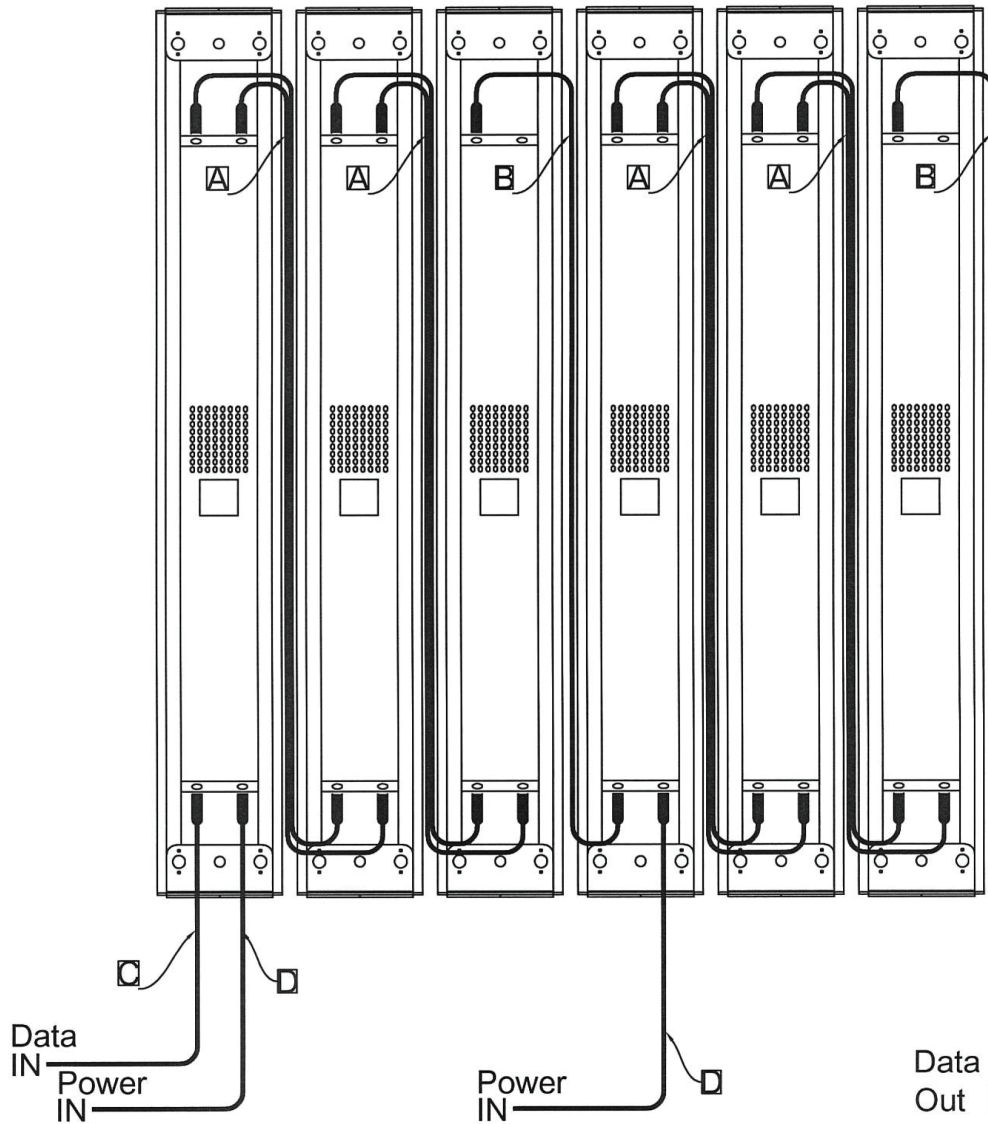
Brute Force 6 Connection Options



**Three Mains Feed
(115 V)
CineQ 8bit X1
(512+256 Channels)**

- A** **3 x hybrid link cable 1.6m**
MULPCTM/X5SM-PCTF/X5SFDHD-1.6
- B** **3 x DMX link cable 1.6m**
MUCX5SD1-1.6
- C** **2 x DMX in cable**
5pin X.L.R **Customer Specified**
- D** **3 x Power in Cable**
Neutrik True 1 TOP **Customer Specified**

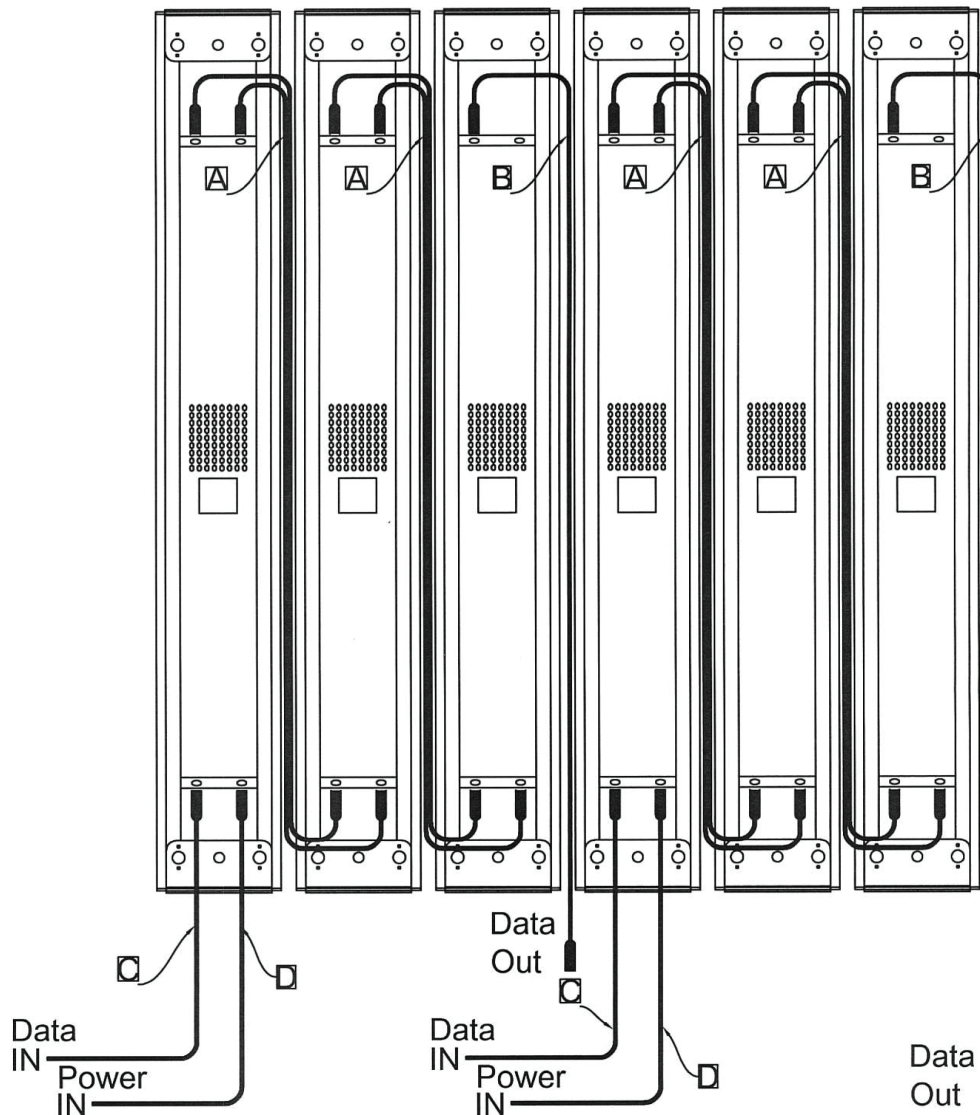
Brute Force 6 Connection Options



**Two Mains Feed
(230 V)
RGBW X1
(384 Channels)**

- A 4 x Hybrid Link Cable 1.6m**
MULPCTM/X5SM-PCTF/X5SFDHD-1.6
- B 2 x DMX Link Cable 1.6m**
MUCX5SD1-1.6
- C 1 x DMX in cable**
5pin X.L.R **Customer Specified**
- D 2 x Power in Cable**
Neutrik True 1 TOP **Customer Specified**

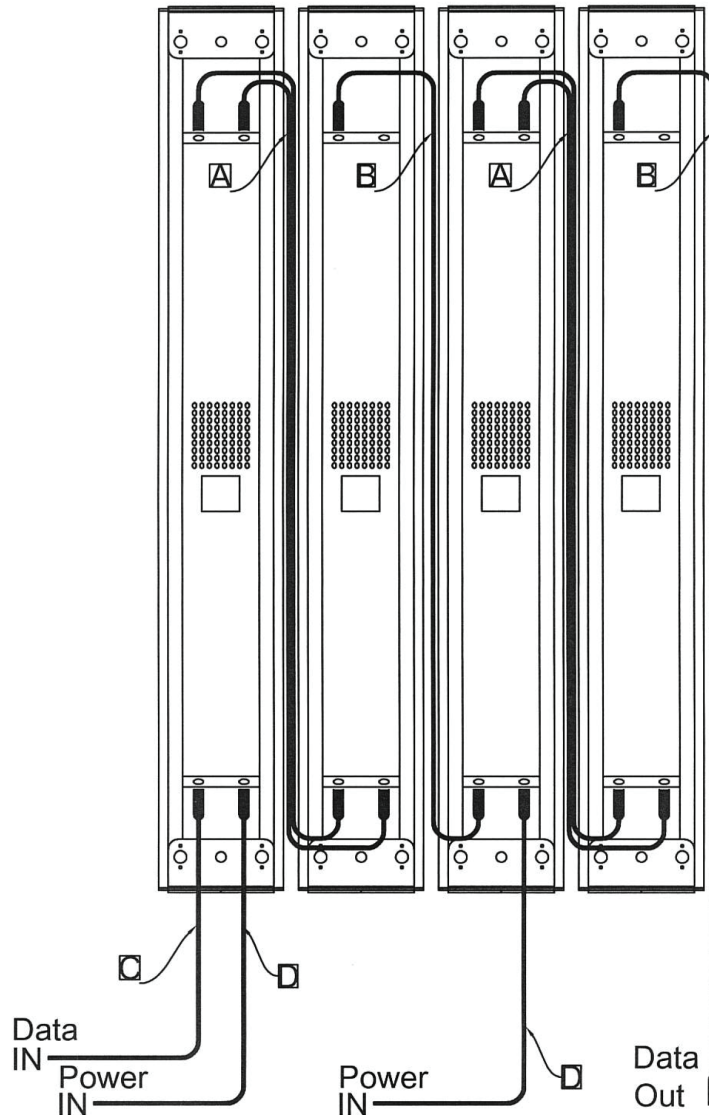
Brute Force 6 Connection Options



**Two Mains Feed
(230 V)
CineQ 8bit X1
(384+384 Channels)**

- A 4 x Hybrid Link Cable 1.6m**
MULPCTM/X5SM-PCTF/X5SFDHD-1.6
- B 2 x DMX Link Cable 1.6m**
MUCX5SD1-1.6
- C 2 x DMX in cable**
5pin X.L.R **Customer Specified**
- D 2 x Power in Cable**
Neutrik True 1 TOP **Customer Specified**

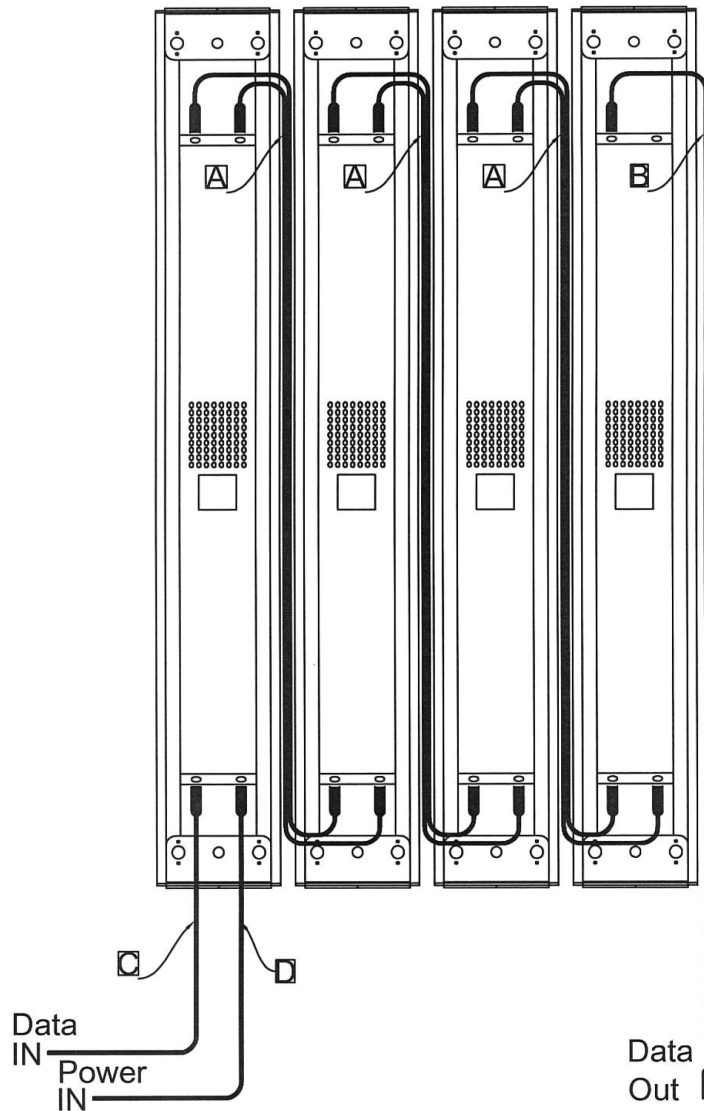
Brute Force 4 Connection Options



**Two Mains Feed
(115 V)
CineQ 8bit X1
(512 Channels)
RGBW X1
(256 Channels)**

- A 2 x Hybrid Link Cable 1.6m**
MULPCTM/X5SM-PCTF/X5SFDHD-1.6
- B 2 x DMX Link Cable 1.6m**
MUCX5SD1-1.6
- C 1 x DMX in cable**
5pin X.L.R **Customer Specified**
- D 2 x Power in Cable**
Neutrik True 1 TOP **Customer Specified**

Brute Force 4 Connection Options



**One Mains Feed
(230 V)
CineQ 8bit X1
(512 Channels)**

- A 3 x Hybrid Link Cable 1.6m**
MULPCTM/X5SM-PCTF/X5SFDHD-1.6
- B 1 x DMX Link Cable 1.6m**
MUCX5SD1-1.6
- C 1 x DMX in cable**
5pin X.L.R **Customer Specified**
- D 1 x Power in Cable**
Neutrik True 1 TOP **Customer Specified**

Disclaimer

The information contained herein is offered in good faith and is believed to be accurate. However, because conditions and methods of use of our products are beyond our control, this information should not be used in substitution for customer's tests to ensure that Chroma-Q products are safe, effective, and fully satisfactory for the intended end use. Suggestions of use shall not be taken as inducements to infringe any patent. Chroma-Q sole warranty is that the product will meet the sales specifications in effect at the time of shipment. Your exclusive remedy for breach of such warranty is limited to refund of purchase price or replacement of any product shown to be other than as warranted.

Chroma-Q reserves the right to change or make alteration to devices and their functionality without notice due to our ongoing research and development.

The Chroma-Q Brute Force range has been designed specifically for the lighting industry. Regular maintenance should be performed to ensure that the products perform well in the entertainment environment.

If you experience any difficulties with any Chroma-Q products please contact your selling dealer. If your selling dealer is unable to help please contact support@chroma-q.com. If the selling dealer is unable to satisfy your servicing needs, please contact the following, for full factory service:

Outside North America:	North America:
Tel: +44 (0)1494 446000	Tel: 416-255-9494
Fax: +44 (0)1494 461024	Fax: 416-255-3514
support@chroma-q.com	support@chroma-q.com

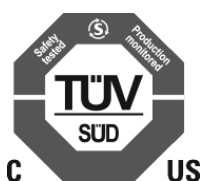
For further information please visit the Chroma-Q website at www.chroma-q.com.

Chroma-Q trademarks: for more information on this visit www.chroma-q.com/trademarks.

The rights and ownership of all trademarks are recognised.

Important Notice:

As per the requirements in the Occupational Safety and Health Administration standards for product approval, please refer to the OSHA web pages <http://www.osha.gov/dts/otpca/nrtl/> for information on the list of Nationally Recognized Testing Laboratories (NRTLs) and the scope of recognition.





To arrange your personal demonstration or for more information, contact us at:

sales@chroma-q.com

or visit **www.chroma-q.com/bf**

Chroma-Q and all associated product names are recognised trademarks, for more information visit www.chroma-q.com/trademarks. The rights and ownership of all trademarks are recognised. Whilst every effort has been made to ensure that the information is correct, Chroma-Q accepts no liability for errors or omissions. Technical specifications and data are provided for guidance only. Because we constantly aim to improve our products, we reserve the right to amend or alter at any time and without prior notice, the specifications of any product. Consult the website for current models and specifications. E&OE.