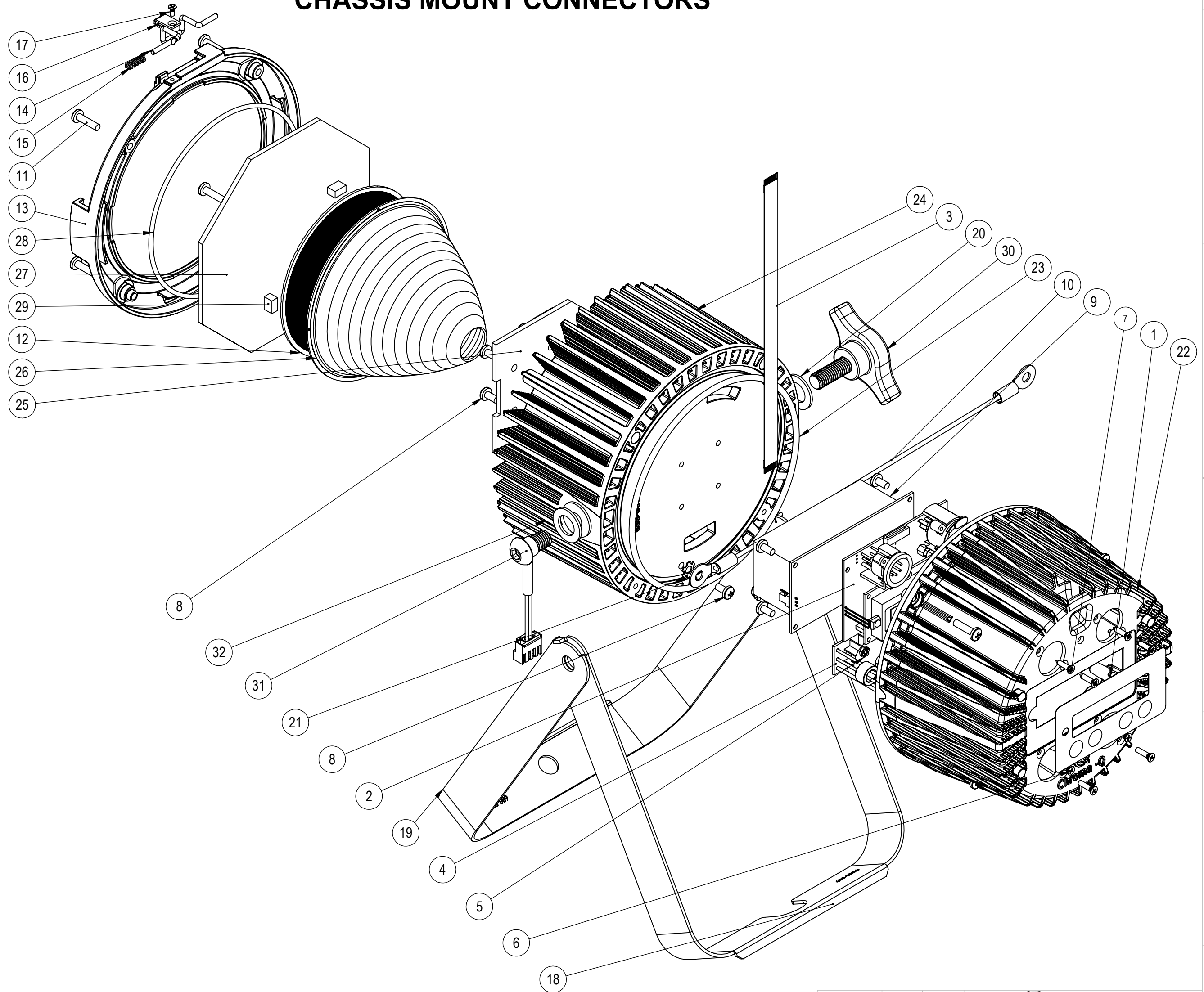


ITEM NO.	PART NUMBER	DESCRIPTION	QTY.
1	638-0008	OVERLAY PARLOW	1
2	638-0105	PCB COMPLETE ADDRESSING PARLOW CONNECTORS	1
3	900-2183	CABLE FLAT FLEX 14POS 1MM 6"	1
4	638-0300	HARNESS POWER IN/OUT PARLOW	1
5	430-3203-0	NUT HEX M3 COMBI BLK	4
6	430-1112-0	SCREW M3x12 FH PLPS BLK	4
7	429-6113-9	SCREW SELF TAP FH PZDV BLK ST2.9x13 RoHS	4
8	440-1208-0	SCREW M4x8 PH PLPS BLK	12
9	900-2181	POWER SUPPLY MEANWELL EPS-65-24, 100-240VAC, 1.5A	1
10	638-0302	HARNESS GROUND 6" 16AWG	1
11	440-1216-2	SCREW M4x16 PH PLPS SS	8
12	631-0021	LENS NARROW FOR OP-5LN2-0445	1
13	638-0003	BEZEL CASTING PARLOW	1
14	638-0004	RETAINER	1
15	638-0011	CLOSED-END MUSIC WIRE COMPRESSION SPRING S-585	1
16	638-0005	RETAINING CLIP HOLDER PARLOW	1
17	425-1106-0	SCREW M2.5x6 FH PLPS BLK	1
18	638-0006	YOKE 1 PARLOW	1
19	638-0007	YOKE 2 PARLOW	1
20	350-2187-5	WASHER FLAT BLACK/GREEN 1/2IDx7/8ODx1/16THK C4324	2
21	450-2609-1	WASHER LOCK M5 EXT TOOTH Zn	2
22	638-0002	BOTTOM CASTING PARLOW	1
23	900-0735	O-RING SILICONE 70 DURO 1/8 x 5 3/8 CS	1
24	638-0001	CENTER SECTION CASTING PARLOW	1
25	638-0117	PCB COMPLETE LED'S PARLOW V	1
26	638-0014	REFLECTOR ALUMINIUM METALIZED	1
27	638-0521	GLASS FRONT PARLOW SILKSCREENED	1
28	900-0727	O-RING SILICONE 70 DURO 1/8 x 4 13/16 CS	1
29	900-0594	NEOPRENE GASKET - 1/8" x 3/8" x 3/16" long	4
30	648-0113	KNOB BLACK M10x1.5 - 20mm SS	1
31	638-0012	SHOULDER SCREW M10x16 BHCS BLK	1
32	338-2187-5	WASHER FLAT BLACK/GREEN 3/8ID x 7/8OD x 1/16THK C4324	2

REVISIONS			
REV.	DESCRIPTION	DATE	APPROVED
A	FIRST RELEASE	3/2/2017	ENG
B	CORRECTED BOM ITEM NUMBERS	3/30/2017	ENG

CHROMA-Q COLOR ONE 100 X CHASSIS MOUNT CONNECTORS



DRAWN	NAME	DATE
JD/DB		03/02/17
CHECKED		
ENG APPR.		
MFG APPR.		
Q.A.		
COMMENTS:		



TITLE:
COLOR ONE 100X
P/N: CHCONE100XRGB A
MODEL: 638-1100

SIZE	DWG. NO.	REV
C	638-1100	B
SCALE: N.T.S. WEIGHT: N/A		SHEET 1 OF 1

PROPRIETARY AND CONFIDENTIAL
 THE INFORMATION CONTAINED IN THIS DRAWING IS THE SOLE PROPERTY OF SPECTRUM MANUFACTURING. ANY REPRODUCTION IN PART OR AS A WHOLE WITHOUT THE WRITTEN PERMISSION OF SPECTRUM MANUFACTURING IS PROHIBITED.