



EclPanel TWCJR4X1

230W Tunable White and colourful LED soft light with pixels and lighting effects



USER MANUAL

Thank you for choosing PROLIGHTS

Please note that every PROLIGHTS product has been designed in Italy to meet quality and performance requirements for professionals and designed and manufactured for the use and application as shown in this document.

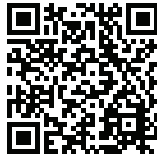
Any other use, if not expressly indicated, could compromise the good condition/operation of the product and/or be a source of danger.

This product is meant for professional use. Therefore, commercial use of this equipment is subject to the respectively applicable national accident prevention rules and regulations.

Features, specifications and appearance are subject to change without notice. Music & Lights S.r.l. and all affiliated companies disclaim liability for any injury, damage, direct or indirect loss, consequential or economic loss or any other loss occasioned by the use of, inability to use or reliance on the information contained in this document.

Product user manual can be downloaded from the website www.prolights.it , or can be inquired to the official PROLIGHTS distributors of your territory (https://www.prolights.it/sales_network.html).

Scanning the below **QR Code**, you will access the download area of the product page, where you can find a broad set of always updated technical documentation: specifications, user manual, technical drawings, photometrics, personalities, fixture firmware updates.



**Visit the download area
of the product page**



The PROLIGHTS Logo, PROLIGHTS names and all other trademark in this document pertaining to PROLIGHTS services or PROLIGHTS product are trademarks OWNED or licensed by Music & Lights S.r.l., its affiliates, and subsidiaries. PROLIGHTS is a registered trademark by Music & Lights S.r.l. All right reserved. Music & Lights – Via A. Olivetti, snc - 04026 - Minturno (LT) ITALY.

INDEX

SAFETY INFORMATION	02
1 - PACKAGING	05
PACKAGE CONTENT	05
OPTIONAL ACCESSORIES	05
2 - TECHNICAL DRAWING	06
3 - INSTALLATION	07
MOUNTING	07
4 - CONNECTION TO THE MAINS SUPPLY	08
5 - START UP	08
CONNECT AND DISCONNECT POWER FROM THE PRODUCT	08
6 - PRODUCT OVERVIEW	09
7 - DMX CONNECTION	10
CONNECTION OF THE CONTROL SIGNAL: DMX LINE	10
INSTRUCTIONS FOR A RELIABLE DMX CONNECTION	10
CONNECTION DAISY CHAIN	10
CONNECTION OF THE DMX LINE	10
CONSTRUCTION OF THE DMX TERMINATION	11
DMX ADDRESSING	11
ETHERNET OPERATION	11
ETHERNET TO DMX OPERATIONS	11
OPERATION AS A WIRELESS TRANSMITTER	12
IN TO WDMX	12
OPERATION AS A WIRELESS RECEIVER	12
WDMX TO DMX (RX)	13
8 - CONTROL PANEL	14
DISPLAY AND BUTTONS LAYOUT	14
ROTATORY KNOB LAYOUT	14
9 - MENU STRUCTURE	15
11 - DIMMER CURVES	19
12 - RDM FUNCTIONS	21
13 - DMX CHARTS	22
14 - ACCESSORIES INSTALLATION	51
POLE OPERATED YOKE (CODE ECLPANELJR4X1POYO - OPTIONAL)	51
EGG CRATES (CODES EPTWCJR4X1EC30, EPTWCJR4X1EC60, EPTWCJR4X1EC4C - OPTIONAL)	52
DIFFUSION FILTERS (CODES EPTWCJR4X1FILTINT / HD / MD / LD - OPTIONAL)	53
BARN DOOR (CODE EPTWCJR4X1BD - OPTIONAL)	54
CENTER MOUNT BRACKET (CODE EPTWCBRKL - OPTIONAL)	55
BALL HEAD JOINT (CODE EPTWCBHEAD - OPTIONAL)	56
15 - MAINTENANCE	57
MAINTENANCE AND CLEANING THE PRODUCT	57
REPLACING THE FUSE	57
VISUAL CHECK OF PRODUCT HOUSING	57
TROUBLESHOOTING	58

SAFETY INFORMATION



WARNING!

- Please read carefully the instruction reported in this section before installing, powering, operating or servicing the product and observe the indications also for its future handling.



This unit is not for household and residential use, only professional applications.



Connection to mains supply

- The Connection to the mains supply must be carried out by a qualified electrical installer.
- Use only AC supplies 100-240V 50-60 Hz, the fixture must be electrically connected to ground (earth).
- Select the cable cross section in according with the maximum current draw of the product and the possible number of products connected at the same power line.
- The AC mains power distribution circuit must be equipped with magnetic+residual current circuit breaker protection.
- Do not connect it to a dimmer system; doing so may damage the product.



Protection and Warning against electrical shock

- Do not remove any cover from the product, always disconnect the product from AC power before servicing.
- Ensure that the fixture is electrically connected to ground (earth). And use only a source of AC power that complies with local building and electrical codes and has both overload and ground-fault (earth-fault) protection.
- Before using the fixture, check that all power distribution equipment and cables are in perfect condition and rated for the current requirements of all connected devices.
- Isolate the fixture from power immediately if the power plug or any seal, cover, cable, or other components are damaged, defective, deformed or showing signs of overheating.
- Do not reapply power until repairs have been completed.
- Refer any service operation not described in this manual to PROLIGHTS Service team or an authorized PROLIGHTS service center.



Installation

- Make sure that all visible parts of the product are in good visible condition before its use or installation.
- Make sure the point of anchorage is stable before positioning the projector.
- When suspending the fixture above ground level, secure it against failure of primary attachments by attaching a safety cable that is approved as a safety attachment for the weight of the fixture to the attachment point on the main frame of the product. In case the safety cable, enter in action, it needs to be replaced with a new one.
- Install the product only in well ventilated places.
- For non temporary installations, ensure that the fixture is securely fastened to a load-bearing surface with suitable corrosionresistant hardware.
- For a temporary installation with clamps, ensure that the quarter-turn fastener and/or screws are turned fully, and secured with a suitable safety cable.



Minimum distance of illuminated objects

- The projector needs to be positioned so that the objects hit by the beam of light are at least 0.5 meters (1.64 ft) from the lens of the projector.

$T_a 45^\circ\text{C}$

Max operating ambient temperature (T_a)

- Do not operate the fixture if the ambient temperature (T_a) exceeds 45°C (113°F).

$T_a -10^\circ\text{C}$

Minimum operating ambient temperature (T_a)

- Do not operate the fixture if the ambient temperature (T_a) is below -10°C (-14°F).



Protection from burns and fire

- The exterior of the fixture becomes hot during use. Avoid contact by persons and materials.
- Ensure that there is free and unobstructed airflow around the fixture.
- Keep flammable materials well away from the fixture
- Do not expose the front glass to sunlight or any other strong light source from any angle. Lenses can focus the sun's rays inside the fixture, creating a potential fire hazard.
- Do not attempt to bypass thermostatic switches or fuses.



Indoor use

- This product is designed for indoor and dry environments.
- Do not use in wet location and do not expose the fixture to rain or moisture.
- Never use the fixture in places subject to vibrations or bumps.
- Make certain that no inflammable liquids, water or metal objects enter the fixture.
- Excessive dust, smoke fluid, and particle build up degrades performance, causes overheating and will damage the fixture.
- Damages caused by inadequate cleaning or maintenance are not covered by the product warranty.

$T_c 65^\circ\text{C}$

Temperature of the external surface

- The surface of the fixture can reach up to 65°C (149°F) during operation. Avoid contact with people and materials.



Maintenance

- Warning! Disconnect the fixture from AC mains power and allow to cool for at least 10 minutes before handling.
- Only technicians who are authorized by PROLIGHTS or Authorised service partners are permitted to open the fixture.
- Users may carry out external cleaning, following the warnings and instructions provided, but any service operation not described in this manual must be referred to a qualified service technician.
- Important! Excessive dust, smoke fluid, and particle build up degrades performance, causes overheating and will damage the fixture. Damages caused by inadequate cleaning or maintenance is not covered by the product warranty.



Photobiological safety

- This device emits potentially dangerous optical radiation and is identified in the category of Risk Group 1 according to EN 62471.



Do not stare at the operating light source

- Do not look directly at the LED source during operation. It can be harmful to the eyes and skin.
- During Installation, operation and maintenance, be prepared for the fixture to light and move suddenly when connected to power.



Disposal

- This product is supplied in compliance with European Directive 2012/19/EU – Waste Electrical and Electronic Equipment (WEEE). To preserve the environment please dispose/ recycle this product at the end of its life according to the local regulation.



The products to which this manual refers comply with:

- 2014/35/EU - Safety of electrical equipment supplied at low voltage (LVD).
- 2014/30/EU - Electromagnetic Compatibility (EMC).
- 2011/65/EU - Restriction of the use of certain hazardous substances (RoHS).
- 2014/53/EU - Radio Equipment Directive (RED).



The products to which this manual refers comply with:

- UL 1573 + CSA C22.2 No. 166 - Stage and Studio Luminaires and Connector Strips.
- UL 1012 + CSA C22.2 No. 107.1 - Standard for power units other than class 2.



FCC Compliance:

- This device complies with Part 15 of the FCC Rules. Operation is subject to the following two conditions:
 1. This device may not cause harmful interference, and
 2. This device must accept any interference received, including interference that may cause undesired operation.



Other approvals

- The product meets the safety requirements of the certification procedures of the market in which it is placed and sold.

1 - PACKAGING

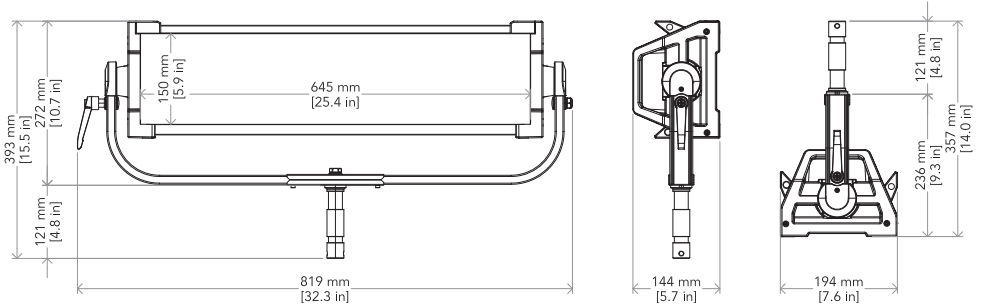
PACKAGE CONTENT

- 1x ECLPANELTWCJR4X1;
- 1x 1,5 meters power cable (BARE END - NEUTRIK POWERCON TRUE1 IP65);
- 1x ECLFRSPG: spigot for PROLIGHTS Fresnel series;
- User manual.

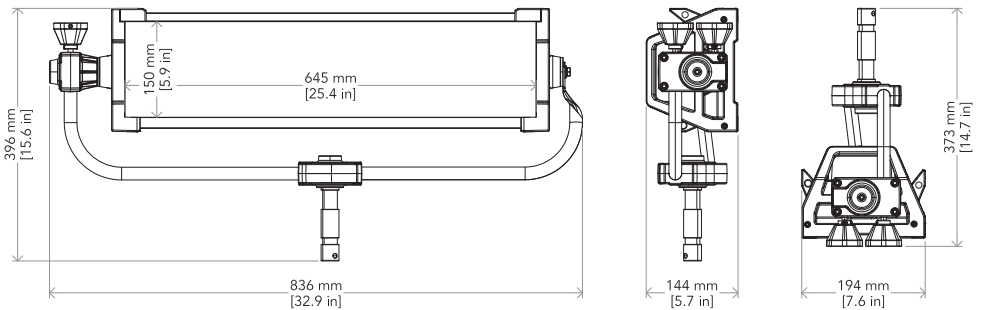
OPTIONAL ACCESSORIES

- WSBBF1G6: blackBox F-1 G6 transrec, 512ch, 2.45GHz, DMX&RDM,Bluetooth,G3,G4,G4S, G5, CRMX;
- WSBBR512G5: blackBox R-512 G5 receiver 512Ch, 2.45GHz & 5.8GHz, DMX/RDM optional;
- C6040: aluminum clamp for 28mm spigot, 200kg load, 48-51mm tubes;
- C6002: slim aluminium clamp, 200 kg loading, 48-51 mm tubes, M10 bolt;
- RSR0630A/B: steel security cable for hanging bodies, inox steel shackle, L=60 cm, silver/black;
- 9533FXWL03: ass. 3x2.5mm TH07 cable, SHUKO plug, MENAC3FXW socket, L.3m;
- 9513FXWL03: ass. 3x2.5mm TH07 cable, 16A 3p 230V CEE plug, MENAC3FXW socket, L.3 m;
- 958225L03: 3x2.5mm TH07 Cable, 16A 3p PwCon MXW, 16A 3p PwCon FXW, L. 3m;
- TOUR53415L03BK: dmx cable HC5340. CANC5MXX XLR 5p->CANC5FXX XLR (f) 5p, L.3m;
- WSBBF1G5: blackBox F-1 G5 transmitter, 2,45GHz & 5.2/5,8 GHz, DMX/RDM, 512Ch;
- WSBBR512G6: blackBox R-512 G6 receiver 512Ch, 2.45GHz,DMX&RDM,Bluetooth,G3,G4,G4S,G5,CRMX;
- FCLPANELJR4X13U: flight case for 3 pcs of ECLPANELTWCJR4X1;
- EPTWCBRKL: center mount bracket for ECLPANELTWC and ECLPANELTWCJR4X1;
- EPTWCBHEAD: ball head joint for center mount bracket EPTWCBRK series;
- ECLPANELJR4X1POYO: pole operated aluminium yoke bracket for ECLPANELTWCJR4X1;
- EPTWCJR4X1FILTINT:: front intensified diffusion filter for ECLPANELTWCJR4X1;
- EPTWCJR4X1FILTHD: front high diffusion filter (less output) for ECLPANELTWCJR4X1;
- EPTWCJR4X1FILTMD: front low diffusion filter (more output) for ECLPANELTWCJR4X1;
- EPTWCJR4X1FILTLD: front low diffusion filter (more output) for ECLPANELTWCJR4X1;
- EPTWCJR4X1EC30: 30 degree egg crate for ECLPANELTWCJR4X1;
- EPTWCJR4X1EC60: 60 degree egg crate for ECLPANELTWCJR4X1;
- EPTWCJR4X1EC4C: 4 chamber egg crate for ECLPANELTWCJR4X1
- EPTWCJR4X1BD: barndoor for ECLPANELTWCJR4X1 with 4 directional flaps to adjust the light beam;
- EPTWCsBJR41: snapBag 4x1 for ECLPANELTWCJR4x1 by DoP choice;
- EPTWCsG4sBJR4140: 40° SnapGrid for SnapBag, 4x1 for ECLPANELTWCJR4x1 by DoP choice;
- EPTWCsGJR4140: 40° SnapGrid, 4x1 for ECLPANELTWCJR4x1 by DoP choice;
- SWIT500W2KIT: 24/48V 500W battery (>1.2hrs) KIT including 2*PBH260S smart power batt. +st.adapt;
- SPGM10: 28mm spigot for fixtures, M10 bolt;
- SPGM12: 28mm spigot for fixtures, M12 bolt;
- UPBOX1U: Firmware uploader kit, USB IN, 3pin XLR DMX OUT, USB OUT.

2 - TECHNICAL DRAWING



Weight: 10 kg - 22.05 lbs



Weight: 12.3 kg - 27.11 lbs

Fig. 01

3 - INSTALLATION

MOUNTING

Check that the supporting structure can safely bear the weight of all installed fixtures, clamps, cables, auxiliary equipment, etc. and complies with locally applicable regulations.

When suspending the fixture above ground level, secure it against failure of primary attachments by attaching a safety wire that is approved as a safety attachment for the weight of the fixture to an anchor point on the product main frame.

Do not use removable parts or weak anchors for secondary attachment.

Warning! When clamping the fixture to a truss or other structure at any angle, use clamps of half-coupler type. Do not use any type of clamp that does not completely encircle the structure when fastened.

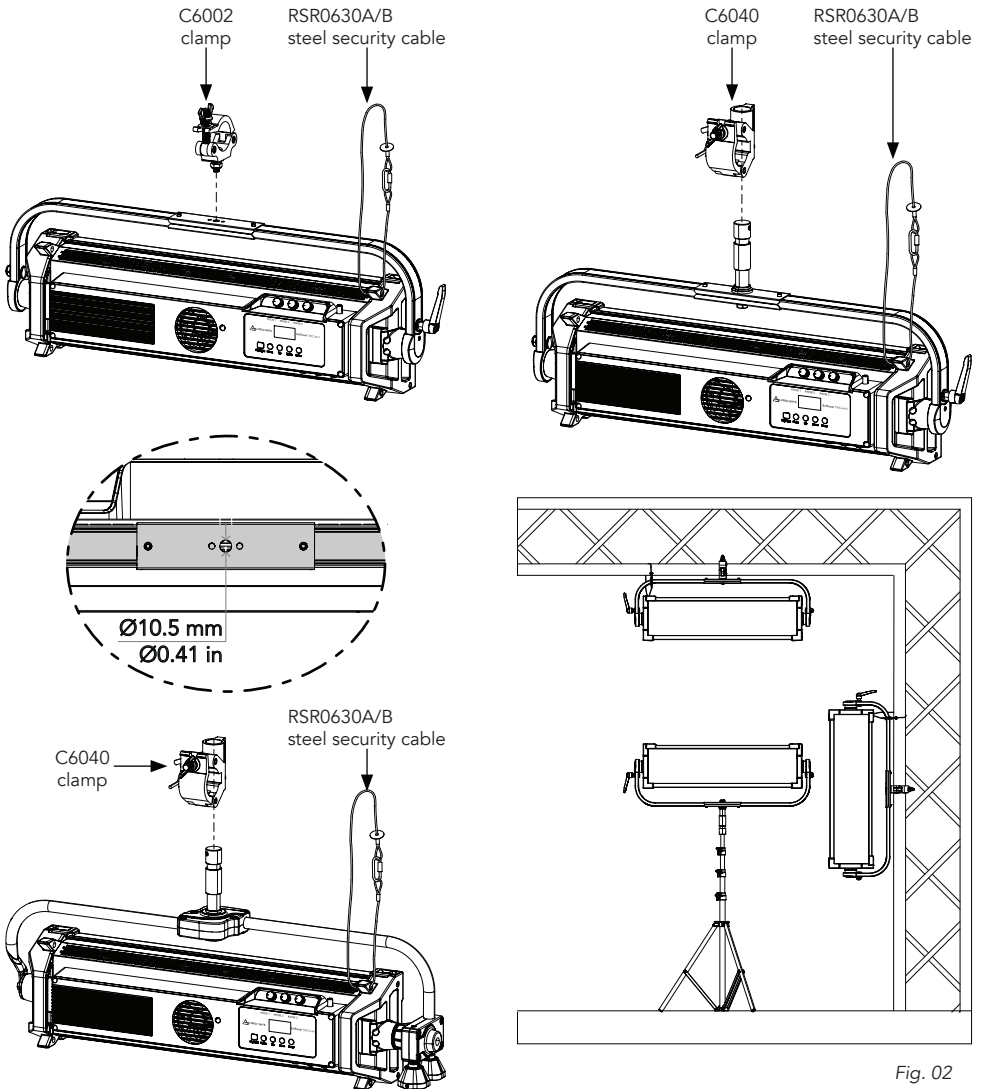


Fig. 02


4 - CONNECTION TO THE MAINS SUPPLY

WARNING: For protection from electric shock, the fixture must be earthed!

The product is equipped with auto-switching power supply that automatically adjusts to any 50-60Hz AC power source from 100-240 Volts.

If you need to install a power plug on the power cable to allow connection to power outlets, install a grounding-type (earthed) plug, following the plug manufacturer's instructions. If you have any doubts about proper installation, consult a qualified electrician.

T max power consumption is 240W.

Core (EU)	Core (US)	Connection	Plug terminal marking
Brown	Black	Live	L
Blue	White	Neutral	N
Yellow+green	Green	Earth	

5 - START UP

CONNECT AND DISCONNECT POWER FROM THE PRODUCT

To apply and disconnect power to the product:

- Check that the product is installed and secured as indicated in the Safety Informations, and that personal safety will not be put at risk when the fixture lights up.
- Connect the power connector into the Mains input socket (100-240 VAC-50/60 Hz).
- The product is then ready for its operations and can be controlled through the available input signals on board.
- To disconnect power from the product, disconnect the Mains from the socket.
- In case you wish to run the product through an external battery, then connect the product to an external battery (24-36V) into the dedicated XLR4p socket; to disconnect power, disconnect the Battery from the socket.
- In case you wish to run the product through an external PU, then connect the product to an external PU (48V) into the dedicated XLR3p socket; to disconnect power, disconnect the PU from the socket.

6 - PRODUCT OVERVIEW

1. BRACKET.
2. USER INTERFACE with display and buttons for access to the control panel functions.
3. HIGHLIGHT button: turns the fixture temporary on for focusing without data signal.
4. ROTATORY KNOBS for product stand alone control operations.
5. ANTENNA of Wireless DMX Transceiver internal module.
6. TILT KNOB: for fixture tilt adjustment and fastening.
7. DC IN (3-pole XLR): for battery within 48 V range, 1 = V -, 2 = V+, 3 = N/C.
8. BATTERY IN (4-pole XLR): for battery within 24-36 V range, 1 = V -, 2 = N/C, 3 = N/C, 4 = V+.
9. MAIN FUSE HOLDER: replace a burnt-out fuse by one of the same type only (250V,T3.15A, Ø5X20).
10. POWER IN: for connection to the Mains 100-240V~/50-60Hz.
11. POWER OUT: power output for connection of multiple units in series.
12. DMX IN (5-p XLR): 1 = GND, 2 = sign-, 3 = sign+, 4 N/C, 5 N/C.
13. DMX OUT (5-p XLR): 1 = GND, 2 = sign-, 3 = sign+, 4 N/C, 5 N/C.
14. ETHERCON CONNECTORS IN / OUT: for Ethernet protocols signal.

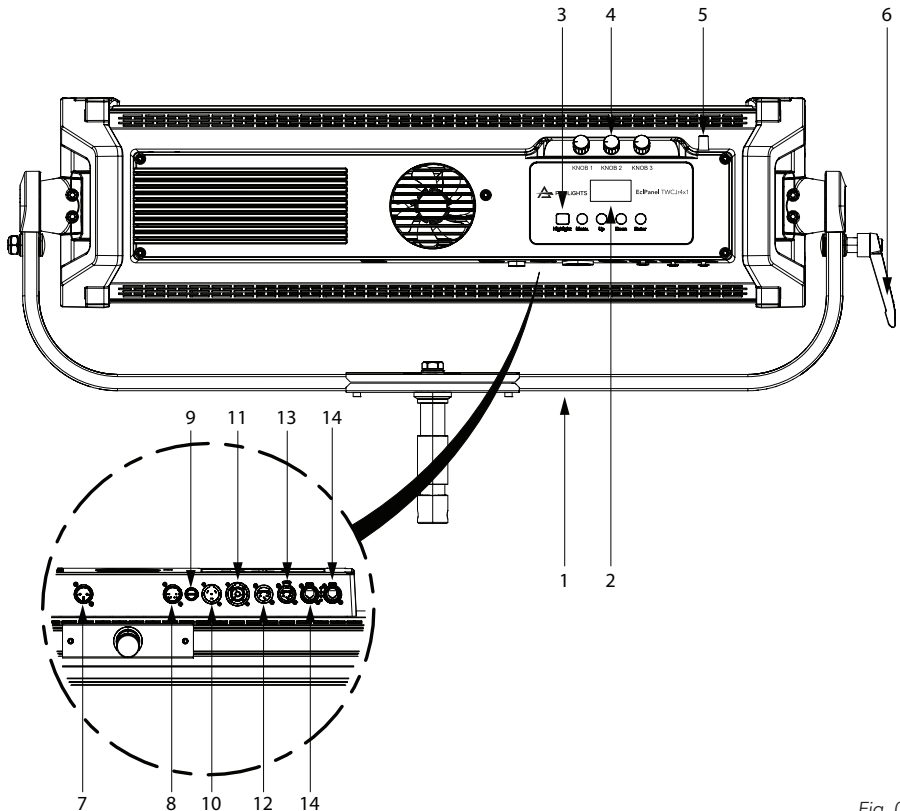


Fig. 03

7 - DMX CONNECTION

CONNECTION OF THE CONTROL SIGNAL: DMX LINE

The product has XLR sockets for DMX input and output.
The default pin-out on both socket is as the following diagram:

DMX - INPUT XLR plug



- Pin1 : GND - Shield
- Pin2 : - Signal
- Pin3 : + Signal
- Pin4 : N/C
- Pin5 : N/C

DMX - OUTPUT XLR socket



Fig. 04

INSTRUCTIONS FOR A RELIABLE DMX CONNECTION

Use shielded twisted-pair cable designed for RS-485 devices: standard microphone cable cannot transmit control data reliably over long runs. 24 AWG cable is suitable for runs up to 300 meters (1000 ft). Heavier gauge cable and/or an amplifier is recommended for longer runs.
To split the data link into branches, use splitter-amplifiers in the connection line.
Do not overload the link. Up to 32 devices may be connected on a serial link.

CONNECTION DAISY CHAIN

Connect the DMX data output from the DMX source to the product DMX input (male connector XLR) socket.
Run the data link from the product XLR output (female connector XLR) socket to the DMX input of the next fixture.
Terminate the data link by connecting a 120 Ohm signal termination. If a splitter is used, terminate each branch of the link.
Install a DMX termination plug on the last fixture on the link.

CONNECTION OF THE DMX LINE

DMX connection employs standard XLR connectors. Use shielded pair-twisted cables with 120Ω impedance and low capacity.
The following diagram shows the connection mode:

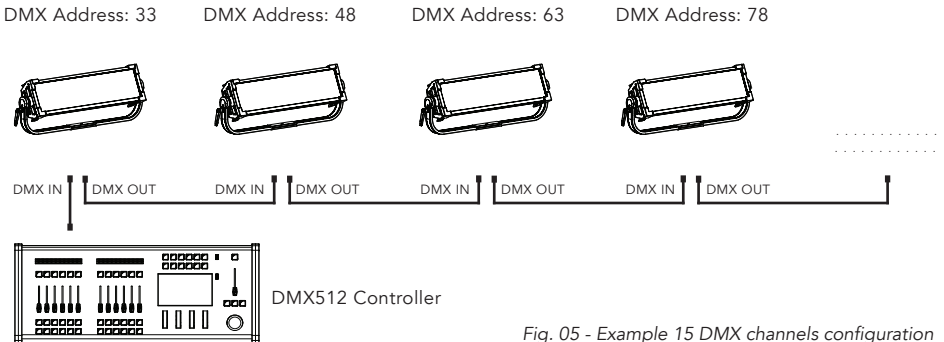


Fig. 05 - Example 15 DMX channels configuration

CONSTRUCTION OF THE DMX TERMINATION

The termination is prepared by soldering a 120Ω 1/4 W resistor between pins 2 and 3 of the male XLR connector, as shown in figure.

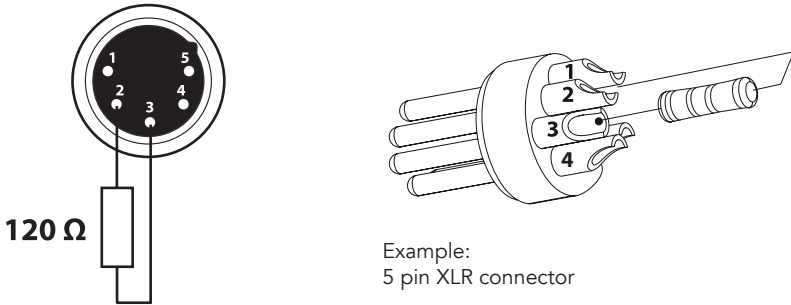


Fig. 06

DMX ADDRESSING

In order to start controlling the product via DMX, the first step is to select a DMX address, also known as the start channel, this is the first channel used to receive instructions from a DMX controller. If you wish to control the product individually, it is necessary to assign a different starting address channel to each fixture.

The number of channels occupied from the product depends on the DMX mode selected, so always verify the DMX Mode in the MENU before start addressing.

If you assign two fixtures the same address, they will be executing the same behaviour. Selecting the same address to multiple fixtures can be useful for diagnostic purposes and symmetrical control.

DMX addressing is limited to make it impossible to set the DMX address so high that you are left without enough control channels for the product.

To set the fixture's DMX address:

1. Press MENU to open the main menu.
2. Reach the addressing menu, then select the DMX ADDRESS settings.
3. Select the address from 1 to 512 using the navigation arrows/buttons and confirm by pressing ENTER.
4. Press Menu to exit and return to the Home screen.

ETHERNET CONNECTION

The products is provided with two 8-pin RJ-45 sockets for Ethernet input/output for a simple daisy chain connection to the network.

The product can be controlled with ArtNet/sACN communication protocol.

Use a network cable category 5 (with four "twisted" wire pairs) and standard RJ-45 plugs.

ETHERNET OPERATION

Please refer to the section MENU STRUCTURE contained in this document for detailed informations about the parameters of setting on the fixture (Protocol, Net, Subnet, Universe, Start Channel and IP Address, Ethernet to DMX No/Yes).

- IP addresses recommended: 002.xxx.xxx.xxx or 010.xxx.xxx.xxx.
- The submask net is fixed at 255.0.0.0.

ETHERNET TO DMX OPERATIONS

Please refer to the section MENU STRUCTURE contained in this document for detailed informations This function allow a product receiving an ethernet signal protocol to re-transmit the incoming signal onto a wired DMX line through its onboard XLR-out connector.

- An Ethernet protocol (Artnet, sACN or others available) has to be enabled from Ethernet menu

at first fixture. **Please make sure that wireless receiver is switched to OFF if you use Ethernet communication.**

- Enable the option Ethernet To DMX choosing which fixture needs to be retransmitted (Main Fixture or Pixel Engine) from the Ethernet menu at the first product (connected to the Ethernet) in the signal chain, next products have standard DMX setting.
- Connect the Ethernet input of the first product in the data chain with the network. Connect the DMX output of this product with the input of the next product until all products are connected to the DMX chain.
- Caution: At the last product, the DMX chain has to be terminated with a terminator. Solder a 120Ω resistor between Signal(-) and Signal(+) into a XLR-plug and connect it in the DMX-output of the last product.

OPERATION AS A WIRELESS TRANSMITTER

ECLPANELTWC2X1 can be used as wireless transmitter to transmit DMX signal to different wireless receivers. To use ECLPANELTWC2X1 as wireless transmitter, please follow the procedure below:

1. Push ENTER button until you show CONNECT on display, then press ENTER button to confirm.
 2. Use UP/DOWN buttons for select WIRELESS, then press ENTER to confirm.
 3. Push ENTER button on WDMX ON/OFF function and enable it to ON.
 4. Select WDMX mode and set it on Transmitter (please note that WDMX mode will be available only if WDMX ON/OFF is set to ON).
 5. Ensure that the receiver units are not connected to any other transmitter. Please refer to "Reset the receiver" paragraph.
 6. Enable TX LINK to ON to link transmitter to receivers (please note that TX LINK will be available only if WDMX mode is set to Transmitter).
- The transmitter scans for all unlinked receivers for a period of about 5 seconds.
 - If the connection fails, check the position of the receiver.
 - The wireless icon on the receiver display indicates the received signal strength.

Unlinking the transmitter

Follow the procedure below to unlink the transmitter from all receivers connected with the unit.

1. Push ENTER button until you show CONNECT on display, then press ENTER button to confirm.
 2. Use UP/DOWN buttons for select Wireless, then press ENTER to confirm.
 3. Enable TX UNLINK to ON 8 (please note that TX UNLINK will be available only if WDMX mode is set to Transmitter).
- All connected receivers will be unlinked.

IN TO WDMX

This function enable or disable the transmission through wireless of the DMX signal from the transmitter side to the receiver.

Any incoming signal (ArtNet, sACN or DMX) is retransmitted through wireless.

If the ECLPANELTWC2X1 protocol selected is ArtNet / sACN, the WDMX module will retransmit the DMX values contained in the ArtNet / sACN signal received by the ECLPANELTWC2X1.

NOTE: Artnet and sACN have higher priority on DMX if they are connected to transmitter.

NOTE: Do not use IN TO WDMX and ETH TO DMX simultaneously, this will cause data conflict on DMX output signal.

OPERATION AS A WIRELESS RECEIVER

ECLPANELTWC2X1 can be used as wireless receiver connected to a wireless transmitter.

To use ECLPANELTWC2X1 as wireless receiver, please follow the procedure below:

1. Push ENTER button until you show CONNECT on display, then press ENTER button to confirm.
2. Use UP/DOWN buttons for select Wireless, then press ENTER to confirm.
3. Push ENTER button on WDMX ON/OFF function and enable it to ON.
4. Select WDMX mode and set it on Receiver (please note that WDMX mode will be available only if WDMX ON/OFF is set to ON).
5. Enable RX RESET to ON to reset the receiver (please note that RX RESET will be available only if WDMX mode is set to Receiver).

6. On the transmitter, enable TX LINK to ON to link transmitter to the receivers.
7. If the connection is successful and DMX input is available the display the display on the receiver unit will shows the DMX address. If DMX signal is not available, the display will shows "No signal" but keeps the transmitter linked.
8. If the connection fails, check the position of the receiver.
9. The wireless icon on the receiver display indicates the received signal strength.

Reset the receiver

Follow the procedure below to reset the receiver.

1. Push MENU button untill you show CONNECT on display, then press ENTER button to confirm.
 2. Use UP/DOWN buttons for select Wireless, then press ENTER to confirm.
 3. Enable RX RESET to ON.
- The wireless icon on the receiver display indicates the received signal strength.

WDMX TO DMX (RX)

This function enable or disable the retransmission of the wireless DMX signal received throught the DMX port on the receiver side.

8 - CONTROL PANEL

The product has a display and buttons for access to the control panel functions.

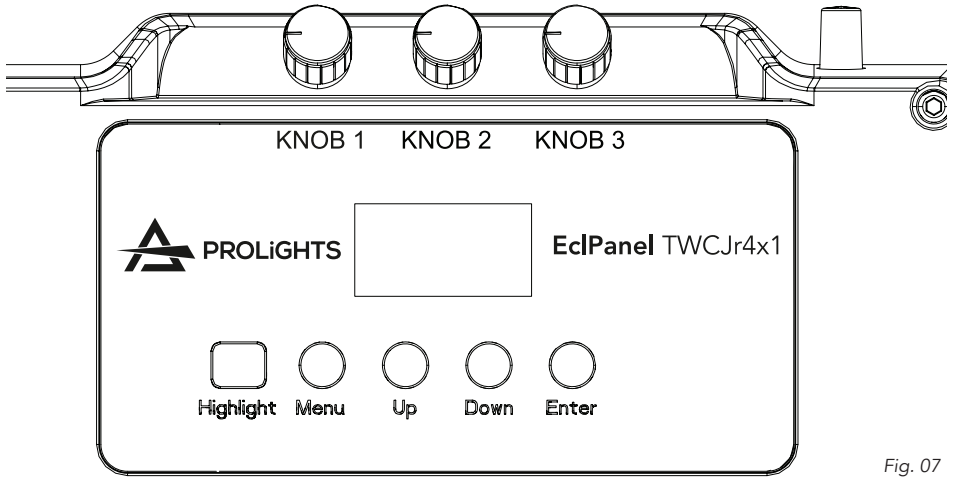


Fig. 07

DISPLAY AND BUTTONS LAYOUT

- The product has a display and buttons for access to the control panel functions.
- **HIGHLIGHT:** Press and hold for three seconds to temporary turn ON the product at Full ON for user focusing operations.
- **MENU:** Used to access the menu tree or to return a previous menu window.
- **UP:** Browse upwards through the menu list and increases the numeric value displayed.
- **DOWN:** Browse downwards through the menu list and decreases the numeric value displayed.
- **ENTER:** Used to confirm the current menu or confirm the current function value or option within a menu.

ROTATORY KNOB LAYOUT

The product is equipped with rotatory knobs for manual control of the product, those are enabled only in Stand Alone mode and they enable access to control certain attributes according to the selected STAND ALONE mode as indicated below.

MODE	ROTARY KNOB 1	ROTARY KNOB 2	ROTARY KNOB 3
EFFECTS	Dimmer (0 ÷ 255)	Effect	Speed (1 ÷ 100)
CCT	Dimmer (0 ÷ 255)	+/- Green (-25/+25)	Control temperature (CCT): 2800K ÷ 10000K
HSI	Dimmer (0 ÷ 255)	Colors (0 ÷ 255)	Saturation (SAT): 0 ÷ 255

9 - MENU STRUCTURE

The following chart describes the MENU tree of the product, the terms shown in **BOLD** indicate the default settings for Standard factory reload, the terms shown in Underlined indicate the default settings for Film factory reload.

MENU									
1	CONNECT	DMX Address	DMX WDMX ArtNet sACN	1 - 512					
		DMX Mode	Theater	1CH 2CH	Amber Shift On		Hue (-025+025) Hue=0		
					Color Temperature	2800K 6500K 3200K 7000K 3500K 7500K 4000K 8000K 4500K 8500K 5000K 9000K 5600K 9500K 6000K 10000K			
				Manual Color	Red (000+ 255) Green (000+ 255) Blue (000+ 255) White (000+ 255)				
				4CH 5CH1 5CH2 6CH 10CH 15CH 17CH 21CH					
				Tour	4CH 6CH 10CH 11CH 15CH				
				Pixel	1 2				
		Film	1M12CH 2M20CH 3M17CH 4M33CH 5M17CH 6M33CH XY 2 Pix Direct						
		Wireless	WDMX ON/OFF	On- Off			Enable/Disable the wireless card.		
			WDMX mode	Transmitter Receiver			Choose whether to set the wireless card as Transmitter or Receiver. WDMX mode is unlocked only if WDMX ON / OFF is ON.		
			TX link	On- Off			TX link unlock when the unit is set as a transmitter.		
			TX unlink	On- Off			Disconnect the transmitter from all receivers. TX unlink unlocks only if WDMX mode is on transmitter.		
			RX reset	On- Off			Total reset of the receiver. RX reset unlocks only if WDMX mode is receiver.		
DMX to WDMX (TX)	On-Off				Enable/Disable the transmission of the dmx from the transmitter to the receiver via wdmx.				
WDMX to DMX (RX)	On-Off				Enable/Disable the retransmission of the DMX from the receiver to the other units connected by cable to the receiver itself.				

	Ethernet Settings	ArtNet settings	IP Address Net Subnet Universe		Settings for ArtNet protocol use.
		sACN settings	IP Address Universe Merge Mode	Off HTP LTP	Settings for sACN protocol use.
		Ethernet to WDMX	On-Off		Enable / Disable DMX retransmission from sACN/ArtNet signal to WDMX (TX mode).
		Ethernet to DMX	On-Off		Enable / Disable DMX retransmission from sACN/ArtNet signal to DMX out port.
2	SETUP	Screen	Back Light	On 10 s 20 s 30 s	Select the timing after that display will switch automatically off when unactive.
			Flip Display	No-Yes	Allows you to rotate the display by 180°.
			Key Lock	No-Yes	Lock the buttons on the control panel by a password. Press following combinations (password) in order to access to the user menu : UP, DOWN, UP, DOWN, ENTER.
			Display Value	Percentage Raw Data	Choose how to show datas on Stand Alone Modes. In percentage mode values will be shown as 0-100%. In Raw Data mode values will be shown as 0-255.
			Temperature Unit	C° - F°	Allows you to choose Temperature unit showed in home screen.
		Transfer Configuration	Without DMX Address With DMX Address		To transfer the same menu settings of one fixtures to all the other in the daisy chain, including or not the dmx address.
3	ADVANCED	Full On Mode	HB Studio		HB - High Brightness Mode, delivering the full output on every primary color Studio – Calibrated white output at 6000K, when all primary colors are set to full.
		Dimmer Curve	Linear S-Curve Square Law Inverse Square Law High Res@Low		
		Dimmer Mode	Off Dimmer 1 Dimmer 2 Dimmer 3		Dimmer Mode defines speed of the dimmer. Dimmer 1 is fastest, Dimmer 3 is slowest.
		Dimmer End	<u>Snap Off @ End</u> Fade Off @ End		Set Dimmer End behaviour. Snap Off will make fixture snap when dimming out to 0. Fade Off will make fixture fade when dimming out to 0. This selection affects only 004-000 DMX value behaviour.
		Color Calibration	White Balance Adjust	Off Red Green Blue White	Disable the White Calibration at full. Manually adjust color calibration.
			Calibrated		Manufacturer calibration to grant performance and color consistency.
		Led Frequency	600Hz 1200 Hz 2000 Hz 4000 Hz 6000 Hz 10 kHz	12 kHz 15 kHz 20 kHz 25 kHz 36 kHz 40 kHz	Select PWM frequency.

	Fan Mode (Standard)	Constant Output	Auto On Off Silent1 Silent2	Select the product Fan mode for Standard mode. Constant Output: fixture will decrease immediately light output. Note: fixture will lower light output in case of Silent1, Silent2 and OFF. Dynamic Output: fixture will have variable light output in order to keep a safe running temperature.
		Dynamic Output		
	Fan Mode (Film)	Auto On Off Silent1	Silent2 Quiet1 Quiet2 Turbo	Select the product Fan mode for Film mode. Quiet1 and Quiet2 start to dim light down only when fixture gets near to the thermal protection threshold. Fan speeds are constant.
	Factory Reload	Standard	No/Yes	Reload fixture with Standard settings.
		Film	No/Yes	Reload fixture with Film settings.
4	INFORMATION	Fixture Time	0÷9999	View informations about product operating lifetime.
		Disp Version	V1.0	
		Drv Version	V1.0	
		RDM UID	15D0022F****	View the UID of the product (RDM control).
		Calibration	MASTER/LED	View Calibration used.
5	STAND ALONE	Master/Slave	Master Master No Dmx Slave	Allow you to link and operating in synk multiple units without a DMX console. Choose a unit to perform as the Master. This unit must be the first unit in line; Set the successive units to be slave.
		Effect	Effect 1 Effect 2 Effect 3 Effect 4 Effect 5 Candle Cop Car Cop Car1 Cop Car2 Cop Car3 Fire Fireworks Paparazzi Television Party Clouds Club Color Chase Strobe Lightning Explosion Fluorescent Process Pulsing Welding	Parameter list, all effect have dimmer and speed. Effect 1 Effect 2 Effect 3 Effect 4 Effect 5 Candle: CCT Cop Car: color (B RB BW BRW BA BRA RA R A), flash Cop Car 1 Cop Car 2 Cop Car 3 Fire: CCT (Warm, Neutral, Cold) Firework: color (Random, W, CW) Paparazzi: flash type, tint, CCT Television: CCT (Warm, Neutral, Cold) Party: saturation Clouds: offset Club: color number Color chase: saturation, offset Strobe: CCT, tint, x-fade, hue, saturation Lightning: flash, CCT, tint Explosion: CCT, tint, x-fade, hue, saturation Fluorescent: frequency, CCT, tint, x-fade, hue, saturation Process: direction, CCT, tint, x-fade, hue, saturation Pulsing: pulses, CCT, tint, x-fade, hue, saturation Welding: minimum dimmer, CCT, tint, x-fade, hue, saturation, speed
		Source Matching	Dimmer Category Source	Category and source list: INCANDESCENT: Tungsten Bulb, Incandescent, Halogen, Antique Bulb, Warm Antique Bulb, Christmas Lights, Night Light, Infrared Heat Lamp, Grow light FLUORESCENT: CFL Soft White, CFL Bright White, CFL Cool White, CFL Daylight, Cool White 1, Cool White 2, Cool White 3, Warm White, CFL Blacklight DISCHARGE: HMI, High Pressure Sodium, Low Pressure Sodium, Mercury Vapor, Metal Halide Ceramic, Carbon Arc, Xenon OTHER: Candle, Gas Fire, Sun Direct, Sun Overcast, Sun Blue Hour, Mobile Phone, Computer Monitor, Electroluminescence, Blow Torch, Road Flare, Amber Caution, Green Traffic Light, Yellow Traffic Light, Red Traffic Light, Blue Glow Stick, Green Glow Stick, Red Glow Stick, Yellow Glow Stick, Pink Glow Stick, Violet Glow Stick

CCT	Dimmer (000÷255)		Use the 1st rotary knob to set the Dimmer value
	Tint (-25/+25)		Use the 2nd rotary knob to choose the tint (+/- green) value.
	CCT (2800K ÷ 10000K)		Use the 3rd rotary knob to select the CCT value.
HSI	Dimmer (000÷255)		Use the 1st rotary knob to set the Dimmer value.
	Hue (000÷255)		Use the 2nd rotary knob to choose the color point.
	Saturation (000÷255)		Use the 3rd rotary knob to select the Saturation of the selected color.
XY	Dimmer (000÷255)		Use the 1st rotary knob to set the Dimmer value
	X (0.00÷0.85)		Use the 2nd rotary knob to set the X coordinate value.
	Y (0.00÷0.85)		Use the 3rd rotary knob to set the Y coordinate value.
Color Macro	Dimmer Macro		Color gel list: Open, Red, Green, Blue, Cyan, Magenta, Yellow, Dirty White, Alice Blue, Congo Blue, Dark Steel Blue, Deep Lavender, Lilac Ting, Daylight Blue, Flame Red, Bastard Amber, Deep Orange, Pale Gold, Apricot, Bright Blue, Primary Green, Special Lavender, Pale Lavender, Deep Golden Amber, Medium Blue, Bright Pink, Mauve, Dark Green, Lee Green, Dark Blue, Light Blue, Steel Blue, Medium Blue-Green, Peacock Blue, Magenta, Dark Pink, Middle Rose, Light Salmon, English Rose, Light Rose, Orange, Deep Amber, Straw, Light Amber, Spring Yellow, Dark Yellow Green, Just Blue, Sky Blue, Lavender, Light Lavender, Pink Carnation, Medium Pink, Light Pink, Sunset Red, Dark Amber, Gold Amber, Medium Amber, Fire, Surprise Peach, Straw Tint, Medium Yellow, Lee Minus Green, Pale Gold, Orange, Deep Straw, Rose Purple, Deep Purple, Soft Green
Color Temperature	2800K 3200K 3500K 4000K 4500K 5000K 5600K 6000K	6500K 7000K 7500K 8000K 8500K 9000K 9500K 10000K	Hue (-025÷025) Dimmer (000÷255)
Fixed Color	R G B W GB RB RG RGB	RW GW BW RGW RBW GBW RGBW	Select of the following predefined color combination and its Dimmer value. After enabled this mode, the unit will be automatically assigned as Master.
Manual Color	Red Green Blue White		User generated color preset by assigning values to each primary color attribute. After enabled this mode, the unit will be automatically assigned as Master

STANDALONE BEHAVIOUR

Fixture will have two different behaviour between Standard or Film factory reload.

STANDARD

If no Standalone mode selected, after unplugging DMX signal fixture will keep last DMX frame.

If a Standalone mode was previously selected, after unplugging DMX signal fixture will go into Standalone mode selected.

If fixture is booted up without DMX signal plugged in It will go into selected Standalone Mode.

FILM

If no Standalone mode selected, after unplugging DMX signal fixture will keep last DMX frame.

If a Standalone mode was previously selected, after unplugging DMX signal fixture will keep last DMX frame, as soon as knobs are touched fixture will activate selected standalone.

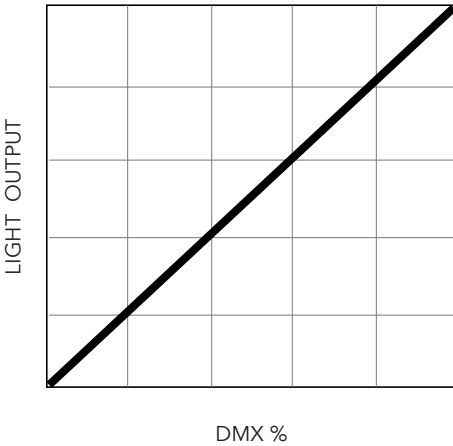
If fixture is booted up without DMX signal plugged in It will stay in Blackout also if a Standalone mode was selected previously, as soon as knobs are touched fixture will activate selected standalone.

11 - DIMMER CURVES

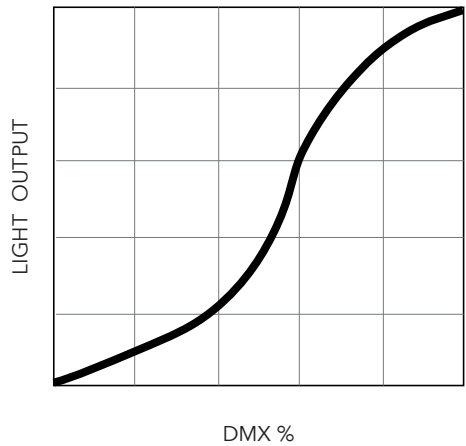
Five dimming modes are available:

1. **LINEAR** - The increase in light intensity appears to be linear as DMX value is increased.
2. **S-CURVE** - Light intensity control is finer at low levels and high levels and coarser at medium levels.
3. **SQUARE LAW** - Light intensity control is finer at low levels and coarser at high levels.
4. **INVERSE SQUARE LAW** - Light intensity control is coarser at low levels and finer at high levels.
5. **HIGHRES@LOW** - Very Fine control at low light intensity and coarser at medium and high levels.

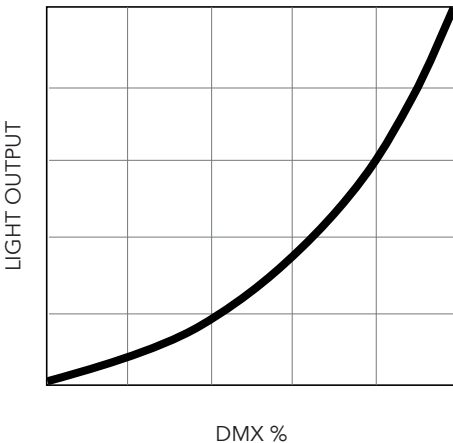
1 **LINEAR**



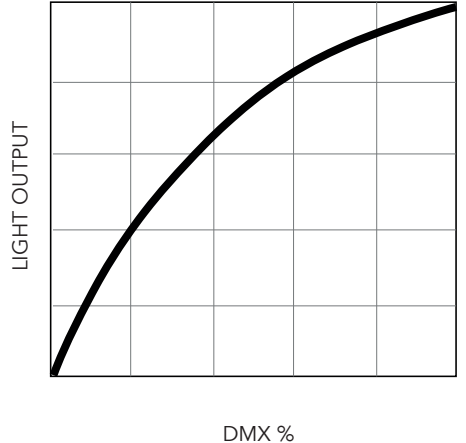
2 **S-CURVE**

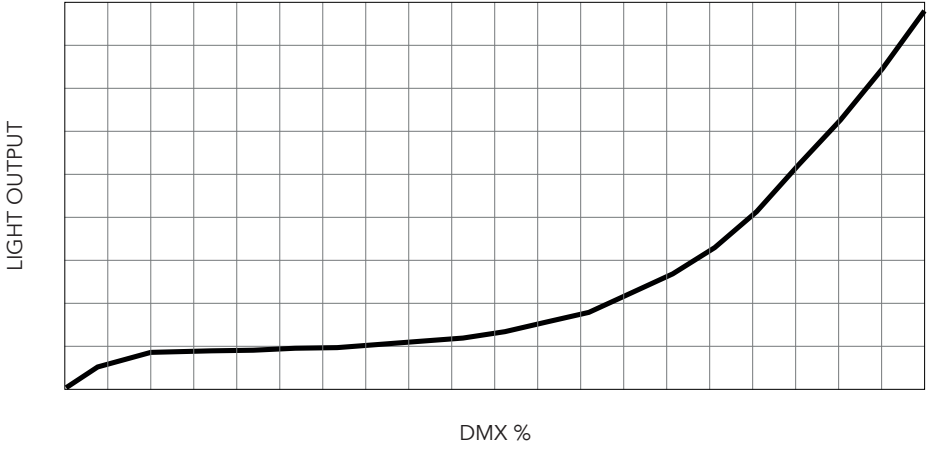


3 **SQUARE LAW**



4 **INVERSE SQUARE LAW**





12 - RDM FUNCTIONS

The product can communicate using RDM (Remote Device Management) protocol over a DMX512 Networks.

RDM is a bi-directional communications protocol for use in DMX512 control systems, it is the open standard for DMX512 device configuration and status monitoring.

The RDM protocol allows data packets to be inserted into a DMX512 data stream without affecting existing non-RDM equipment. It allows a console or dedicated RDM controller to send commands to and receive messages from specific fixtures.

The PIDs in the following tables are supported in the product.

PARAMETER	PID	GET	SET
DEVICE_MODEL_DESCRIPTION	0x0080	x	
MANUFACTURER_LABEL	0x0081	x	
DEVICE_LABEL	0x0082	x	x
FACTORY_DEFAULTS	0x0090	x	x
SOFTWARE_VERSION_LABEL	0x00C0	x	
DMX_PERSONALITY	0x00E0	x	x
DMX_PERSONALITY_DESCRIPTION	0x00E1	x	
DMX_START_ADDRESS	0x00F0	x	x
SENSOR_DEFINITION (<i>LED temperature sensor</i>)	0x0200	x	
CURVE	0x0343	x	x
CURVE_DESCRIPTION	0x0344	x	
OUTPUT_RESPONSE_TIME	0x0345	x	x
OUTPUT_RESPONSE_TIME_DESCRIPTION	0x0346	x	
MODULATION_FREQUENCY	0x0347	x	x
MODULATION_FREQUENCY_DESCRIPTION	0x0348	x	
DEVICE_HOURS	0x0400	x	
DISPLAY_INVERT	0x0500	x	x
IDENTIFY_DEVICE	0x1000	x	x
Full On Mode 0:HB 1:Studio (<i>Custom</i>)	0x8217	x	x

13 - DMX CHARTS

THEATER

CH	1 Ch	2 Ch	4 Ch	5 Ch "1"	5 Ch "2"	6 Ch	10 Ch	15 Ch	17 Ch	21 Ch
1	DIMMER	DIMMER	DIMMER	DIMMER	DIMMER	DIMMER	DIMMER	DIMMER	DIMMER	DIMMER
2		DIMMER FADE	CCT	DIMMER FINE	CCT	CCT	RED	DIMMER FINE	DIMMER FINE	DIMMER FINE
3			HUE	CCT	HUE	HUE	GREEN	RED	STROBE	STROBE
4			DIMMER FADE	HUE	STROBE	STROBE	BLUE	RED FINE	CCT	CCT
5				DIMMER FADE	DIMMER FADE	COLOR MACRO	WHITE	GREEN	HUE	HUE
6						DIMMER FADE	CCT	GREEN FINE	CROSSFADE FROM CCT TO COLOR	CROSSFADE FROM CCT TO COLOR
7							HUE	BLUE	RED	RED
8							STROBE	BLUE FINE	RED FINE	RED FINE
9							COLOR MACRO	WHITE	GREEN	GREEN
10							DIMMER FADE	WHITE FINE	GREEN FINE	GREEN FINE
11								CCT	BLUE	BLUE
12								HUE	BLUE FINE	BLUE FINE
13								STROBE	WHITE	WHITE
14								COLOR MACRO	WHITE FINE	WHITE FINE
15								DIMMER FADE	COLOR MACRO	COLOR MACRO
16									CTO ON COLORS	CTO ON COLORS
17									DIMMER FADE	DIMMER FADE
18										FX SELEC- TION
19										FX SPEED
20										FX FADE
21										CONTROL

THEATER

1 Ch	2 Ch	4 Ch	5 Ch "1"	5 Ch "2"	6 Ch	10 Ch	15 Ch	17 Ch	21 Ch	FUNCTION	DMX Value	Default
1	1	1	1	1	1	1	1	1	1	DIMMER 0÷100%	000 ÷ 255	000
			2				2	2	2	DIMMER FINE 0÷100%	000 ÷ 255	000
								5	5	HUE 25 to 0 0 0 to +25	000 ÷ 126 127 ÷ 127 128 ÷ 255	127
								6	6	CROSSFADE FROM CCT TO COLOR 0÷100%	000 ÷ 255	000
						2	3	7	7	RED 0÷100%	000 ÷ 255	000
							4	8	8	RED FINE 0÷100%	000 ÷ 255	000
						3	5	9	9	GREEN 0÷100%	000 ÷ 255	000
							6	10	10	GREEN FINE 0÷100%	000 ÷ 255	000
						4	7	11	11	BLUE 0÷100%	000 ÷ 255	000
							8	12	12	BLUE FINE 0÷100%	000 ÷ 255	000
						5	9	13	13	WHITE 0÷100%	000 ÷ 255	000
							10	14	14	WHITE FINE 0÷100%	000 ÷ 255	000
		2	3	2	2			4	4	CCT 2800K - 3200K 3200K - 3500K 3500K - 4000K 4000K - 4500K 4500K - 5000K 5000K - 5600K 5600K - 6000K 6000K - 6500K	000 ÷ 031 032 ÷ 063 064 ÷ 095 096 ÷ 127 128 ÷ 159 160 ÷ 191 192 ÷ 223 224 ÷ 255	000
						6	11			CCT 2800K - 3200K 3200K - 3500K 3500K - 4000K 4000K - 4500K 4500K - 5000K 5000K - 5600K 5600K - 6000K 6000K - 6500K No Function	000 ÷ 030 031 ÷ 060 061 ÷ 090 091 ÷ 120 121 ÷ 150 151 ÷ 180 181 ÷ 210 211 ÷ 240 241 ÷ 255	000
		3	4	3	3	7	12			HUE 0 -25°÷+25°	000 ÷ 000 001 ÷ 255	000
				4	4	8	13	3	3	STROBE Closed Strobe slow to fast Open Random slow to fast Open	000 ÷ 030 031 ÷ 100 101 ÷ 130 131 ÷ 200 201 ÷ 255	255
					5	9	14	15	15	COLOR MACRO No Function Amber Shift on Color Macro*	000 ÷ 002 003 ÷ 005 006 ÷ 255	000

1 Ch	2 Ch	4 Ch	5 Ch "1"	5 Ch "2"	6 Ch	10 Ch	15 Ch	17 Ch	21 Ch	FUNCTION	DMX Value	Default
								16	16	CTO ON COLORS 0÷100%	000 ÷ 255	000
	2	4	5	5	6	10	15	17	17	DIMMER FADE Read from menu 0÷100%	000 ÷ 000 001 ÷ 255	000
									18	FX SELECTION No Function Effect 1 Effect 2 Effect 3 Effect 4 Effect 5 Candle Cop Car1 Cop Car2 Cop Car3 Fire Fireworks Paparazzi Television Party Clouds Club Color Chase Strobe Lighting Explosion Fluorescent Process Pulsing Welding	000 ÷ 010 011 ÷ 020 021 ÷ 030 031 ÷ 040 041 ÷ 050 051 ÷ 060 061 ÷ 070 071 ÷ 080 081 ÷ 090 091 ÷ 100 101 ÷ 110 111 ÷ 120 121 ÷ 130 131 ÷ 140 141 ÷ 150 151 ÷ 160 161 ÷ 170 171 ÷ 180 181 ÷ 190 191 ÷ 200 201 ÷ 210 211 ÷ 220 221 ÷ 230 231 ÷ 240 241 ÷ 255	000
									19	FX SPEED 0÷100%	000 ÷ 255	000
									20	FX FADE 0÷100%	000 ÷ 255	000
									21	CONTROL CHANNEL No Function FAN MODE AUTO CONST. OUT. FAN MODE ON CONST. OUT. FAN MODE OFF CONST. OUT. FAN MODE SILENT 1 CONST. OUT. FAN MODE SILENT 2 CONST. OUT. LED FREQUENCY 600HZ LED FREQUENCY 1200HZ LED FREQUENCY 2000HZ LED FREQUENCY 4000HZ LED FREQUENCY 6000HZ LED FREQUENCY 25KHZ LED FREQUENCY 36KHZ FAN MODE AUTO DYNAMIC OUT. FAN MODE ON DYNAMIC OUT. FAN MODE OFF DYNAMIC OUT. FAN MODE SILENT 1 DYNAMIC OUT. FAN MODE SILENT 2 DYNAMIC OUT. DIMMER MODE OFF DIMMER MODE 1 DIMMER MODE 2 DIMMER MODE 3 DIMMER CURVE LINEAR DIMMER CURVE S-CURVE DIMMER CURVE SQUARE LAW DIMMER CURVE INV. SQUARE LAW DIMMER CURVE HIGH RES@LOW DIMMER END SNAP OFF @ END DIMMER END FADE OFF @ END LED FREQUENCY 10KHZ LED FREQUENCY 12KHZ LED FREQUENCY 15KHZ LED FREQUENCY 20KHZ RESERVED RESET ALL CHANNELS CONTROLLED	000 ÷ 001 002 ÷ 003 004 ÷ 005 006 ÷ 007 008 ÷ 009 010 ÷ 011 012 ÷ 013 014 ÷ 015 016 ÷ 017 018 ÷ 019 020 ÷ 021 022 ÷ 023 024 ÷ 025 026 ÷ 027 028 ÷ 029 030 ÷ 031 032 ÷ 033 034 ÷ 035 036 ÷ 037 038 ÷ 039 040 ÷ 041 042 ÷ 043 044 ÷ 045 046 ÷ 047 048 ÷ 049 050 ÷ 051 052 ÷ 053 054 ÷ 055 056 ÷ 057 058 ÷ 059 060 ÷ 061 062 ÷ 063 064 ÷ 065 066 ÷ 253 254 ÷ 255	000

* Color Macro for 21CH: please refer to next list for values.

COLOR MACRO 21CH			
Open	000 ÷ 001	Dark Yellow Green	090 ÷ 091
Red	002 ÷ 003	Just Blue	092 ÷ 093
Green	004 ÷ 005	Sky Blue	094 ÷ 095
Blue	006 ÷ 007	Lavender	096 ÷ 097
Cyan	008 ÷ 009	Light Lavender	098 ÷ 099
Magenta	010 ÷ 011	Pink Carnation	100 ÷ 101
Yellow	012 ÷ 013	Medium Pink	102 ÷ 103
Dirty White	014 ÷ 015	Light Pink	104 ÷ 105
Alice Blue	016 ÷ 017	Sunset Red	106 ÷ 107
Congo Blue	018 ÷ 019	Dark Amber	108 ÷ 109
Dark Steel Blue	020 ÷ 021	Gold Amber	110 ÷ 111
Deep Lavender	022 ÷ 023	Medium Amber	112 ÷ 113
Lilac Ting	024 ÷ 025	Fire	114 ÷ 115
Daylight Blue	026 ÷ 027	Surprise Peach	116 ÷ 117
Flame Red	028 ÷ 029	Straw Tint	118 ÷ 119
Bastard Amber	030 ÷ 031	Medium Yellow	120 ÷ 121
Deep Orange	032 ÷ 033	Lee Minus Green	122 ÷ 123
Pale Gold	034 ÷ 035	Pale Gold	124 ÷ 125
Apricot	036 ÷ 037	Orange	126 ÷ 127
Bright Blue	038 ÷ 039	Deep Straw	128 ÷ 129
Primary Green	040 ÷ 041	Rose Purple	130 ÷ 131
Special Lavender	042 ÷ 043	Deep Purple	132 ÷ 133
Pale Lavender	044 ÷ 045	Soft Green	134 ÷ 135
Deep Golden Amber	046 ÷ 047	Reserved	136 ÷ 211
Medium Blue	048 ÷ 049	2800K	212 ÷ 213
Bright Pink	050 ÷ 051	3000K	214 ÷ 215
Mauve	052 ÷ 053	3200K	216 ÷ 217
Dark Green	054 ÷ 055	3400K	218 ÷ 219
Lee Green	056 ÷ 057	3600K	220 ÷ 221
Dark Blue	058 ÷ 059	3800K	222 ÷ 223
Light Blue	060 ÷ 061	4000K	224 ÷ 225
Steel Blue	062 ÷ 063	4200K	226 ÷ 227
Medium Blue-Green	064 ÷ 065	4400K	228 ÷ 229
Peacock Blue	066 ÷ 067	4600K	230 ÷ 231
Magenta	068 ÷ 069	4800K	232 ÷ 233
Dark Pink	070 ÷ 071	5000K	234 ÷ 235
Middle Rose	072 ÷ 073	5200K	236 ÷ 237
Light Salmon	074 ÷ 075	5400K	238 ÷ 239
English Rose	076 ÷ 077	5600K	240 ÷ 241
Light Rose	078 ÷ 079	6000K	242 ÷ 243
Orange	080 ÷ 081	6500K	244 ÷ 245
Deep Amber	082 ÷ 083	7000K	246 ÷ 247
Straw	084 ÷ 085	8000K	248 ÷ 249
Light Amber	086 ÷ 087	9000K	250 ÷ 251
Spring Yellow	088 ÷ 089	10000K	252 ÷ 253
		Full On	254 ÷ 255

TOUR

Channel	4 Ch	6 Ch	10 Ch	11 Ch	15 Ch
1	RED	DIMMER	DIMMER	DIMMER	DIMMER
2	GREEN	RED	RED	DIMMER FINE	DIMMER FINE
3	BLUE	GREEN	GREEN	RED	RED
4	WHITE	BLUE	BLUE	RED FINE	RED FINE
5		WHITE	WHITE	GREEN	GREEN
6		STROBE	STROBE	GREEN FINE	GREEN FINE
7			CCT	BLUE	BLUE
8			EFFECTS	BLUE FINE	BLUE FINE
9			EFFECTS SPEED	WHITE	WHITE
10			DIMMER FADE	WHITE FINE	WHITE FINE
11				STROBE	STROBE
12					CCT
13					EFFECTS
14					EFFECTS SPEED
15					DIMMER FADE

TOUR

4 Ch	6 Ch	10 Ch	11 Ch	15 Ch	FUNCTION	DMX Value	Default
	1	1	1	1	DIMMER 0+100%	000 + 255	000
			2	2	DIMMER FINE	000 + 255	000
1	2	2	3	3	RED 0+100%	000 + 255	255
			4	4	RED FINE	000 + 255	255
2	3	3	5	5	GREEN 0+100%	000 + 255	255
			6	6	GREEN FINE	000 + 255	255
3	4	4	7	7	BLUE 0+100%	000 + 255	255
			8	8	BLUE FINE	000 + 255	255
4	5	5	9	9	WHITE 0+100%	000 + 255	255
			10	10	WHITE FINE	000 + 255	255
	6	6	11	11	STROBE Closed Strobe slow to fast Open Random slow to fast Open	000 + 030 031 + 100 101 + 130 131 + 200 201 + 255	255
		7		12	CCT No Function 2800K 3200K 3500K 4000K 4500K 5000K 5600K 6000K 6500K No Function	000 + 005 006 + 030 031 + 055 056 + 080 081 + 105 106 + 130 131 + 155 156 + 180 181 + 205 206 + 230 231 + 255	000
		8		13	EFFECTS No Function Effect 1 Effect 2 Effect 3 Effect 4 Effect 5 Candle Cop Car1 Cop Car2 Cop Car3 Fire Fireworks Paparazzi Television Party Clouds Club Color Chase Strobe Lighting Explosion Fluorescent Process Pulsing Welding	000 + 010 011 + 020 021 + 030 031 + 040 041 + 050 051 + 060 061 + 070 071 + 080 081 + 090 091 + 100 101 + 110 111 + 120 121 + 130 131 + 140 141 + 150 151 + 160 161 + 170 171 + 180 181 + 190 191 + 200 201 + 210 211 + 220 221 + 230 231 + 240 241 + 255	000
		9		14	EFFECTS SPEED Speed slow to fast	000 + 255	128
		10		15	DIMMER FADE Read from menu 0+100%	000 + 000 001 + 255	000

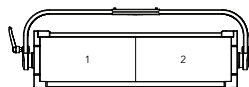
PIXEL

PIXEL LAYOUT

The following drawing describes the pixels distribution and their position on the product light emitting surface. Check the DMX mode selected to identify the related Pixel layout.



1 Pixel



2 Pixel

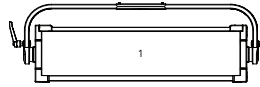
Channel	1	2
1	DIMMER	DIMMER
2	STROBE	STROBE
3	DIMMER FADE	DIMMER FADE
4	RED1	RED1
5	GREEN1	GREEN1
6	BLUE1	BLUE1
7	WHITE1	WHITE1
8		RED2
9		GREEN2
10		BLUE2
11		WHITE2

1	2	FUNCTION	DMX Value	Default
1	1	DIMMER 0÷100%	000 ÷ 255	000
2	2	STROBE Closed Strobe slow to fast Open Random slow to fast Open	000 ÷ 030 031 ÷ 100 101 ÷ 130 131 ÷ 200 201 ÷ 255	255
3	3	DIMMER FADE Read from menu 0÷100%	000 ÷ 000 001 ÷ 255	000
4	4	RED1 0÷100%	000 ÷ 255	255
5	5	GREEN1 0÷100%	000 ÷ 255	255
6	6	BLUE1 0÷100%	000 ÷ 255	255
7	7	WHITE1 0÷100%	000 ÷ 255	255
	8	RED2 0÷100%	000 ÷ 255	255
	9	GREEN2 0÷100%	000 ÷ 255	255
	10	BLUE2 0÷100%	000 ÷ 255	255
	11	WHITE2 0÷100%	000 ÷ 255	255

FILM

Ch	1M12Ch	2M20Ch	3M17Ch	4M33Ch	XY
1	DIMMER	DIMMER	PIXEL 1 DIMMER	PIXEL 1 DIMMER	DIMMER
2	CCT	DIMMER FINE	PIXEL 1 CCT	PIXEL 1 DIMMER FINE	DIMMER FINE
3	HUE	CCT	PIXEL 1 HUE	PIXEL 1 CCT	STROBE
4	CROSSFADE FROM CCT TO COLOR	CCT FINE	PIXEL 1 CROSSFADE FROM CCT TO COLOR	PIXEL 1 CCT FINE	CCT
5	RED	HUE	PIXEL 1 RED	PIXEL 1 HUE	TINT
6	GREEN	HUE FINE	PIXEL 1 GREEN	PIXEL 1 HUE FINE	X 1
7	BLUE	CROSSFADE FROM CCT TO COLOR	PIXEL 1 BLUE	PIXEL 1 CROSSFADE FROM CCT TO COLOR	X 1 FINE
8	WHITE	CROSSFADE FROM CCT TO COLOR FINE	PIXEL 1 WHITE	PIXEL 1 CROSSFADE FROM CCT TO COLOR FINE	Y 1
9	FAN CONTROL	RED	PIXEL 2 DIMMER	PIXEL 1 RED	Y 1 FINE
10	COLOR MACRO	RED FINE	PIXEL 2 CCT	PIXEL 1 RED FINE	CROSSFADE FROM LAYER 1 TO LAYER 2
11	STROBE	GREEN	PIXEL 2 HUE	PIXEL 1 GREEN	X 2
12	CONTROL	GREEN FINE	PIXEL 2 CROSSFADE FROM CCT TO COLOR	PIXEL 1 GREEN FINE	X 2 FINE
13		BLUE	PIXEL 2 RED	PIXEL 1 BLUE	Y 2
14		BLUE FINE	PIXEL 2 GREEN	PIXEL 1 BLUE FINE	Y 2 FINE
15		WHITE	PIXEL 2 BLUE	PIXEL 1 WHITE	COLOR MACRO
16		WHITE FINE	PIXEL 2 WHITE	PIXEL 1 WHITE FINE	CTO ON COLORS
17		FAN CONTROL	CONTROL	PIXEL 2 DIMMER	CONTROL
18		COLOR MACRO		PIXEL 2 DIMMER FINE	
19		STROBE		PIXEL 2 CCT	
20		CONTROL		PIXEL 2 CCT FINE	
21				PIXEL 2 HUE	
22				PIXEL 2 HUE FINE	
23				PIXEL 2 CROSSFADE FROM CCT TO COLOR	
24				PIXEL 2 CROSSFADE FROM CCT TO COLOR FINE	
25				PIXEL 2 RED	
26				PIXEL 2 RED FINE	
27				PIXEL 2 GREEN	
28				PIXEL 2 GREEN FINE	
29				PIXEL 2 BLUE	
30				PIXEL 2 BLUE FINE	
31				PIXEL 2 WHITE	
32				PIXEL 2 WHITE FINE	
33				CONTROL	

PIXEL LAYOUT



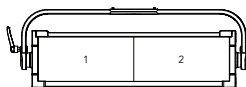
FILM
1M12Ch and 2M20Ch

1M 12Ch	2M 20Ch	FUNCTION	DMX Value	Default
1	1	DIMMER 0÷100%	000 ÷ 255	000
	2	DIMMER FINE	000 ÷ 255	000
2	3	CCT 2800K - 3000K 3000K - 3200K 3200K - 3400K 3400K - 3600K 3600K - 3800K 3800K - 4000K 4000K - 4200K 4200K - 4400K 4400K - 4600K 4600K - 4800K 4800K - 5000K 5000K - 5200K 5200K - 5400K 5400K - 5600K 5600K - 5800K 5800K - 6000K 6000K - 6200K 6200K - 6400K 6400K - 6600K 6600K - 6800K 6800K - 7000K 7000K - 7200K 7200K - 7400K 7400K - 7600K 7600K - 7800K 7800K - 8000K 8000K - 8200K 8200K - 8400K 8400K - 8600K 8600K - 8800K 8800K - 9000K 9000K - 9200K 9200K - 9400K 9400K - 9600K 9600K - 9800K 9800K - 10000K	000 ÷ 007 007 ÷ 014 014 ÷ 021 021 ÷ 028 028 ÷ 035 035 ÷ 042 042 ÷ 049 049 ÷ 056 056 ÷ 063 063 ÷ 070 070 ÷ 077 077 ÷ 084 084 ÷ 091 091 ÷ 098 098 ÷ 105 105 ÷ 112 112 ÷ 119 119 ÷ 126 126 ÷ 133 133 ÷ 140 140 ÷ 147 147 ÷ 154 154 ÷ 161 161 ÷ 168 168 ÷ 175 175 ÷ 182 182 ÷ 189 189 ÷ 196 196 ÷ 203 203 ÷ 210 210 ÷ 217 217 ÷ 224 224 ÷ 231 231 ÷ 238 238 ÷ 245 245 ÷ 255	000
	4	CCT FINE	000 ÷ 255	000
3	5	HUE Neutral / no effect Full minus green -99% --> -1% Neutral / no effect 1% --> 99% Full plus green	000 ÷ 010 011 ÷ 020 021 ÷ 119 120 ÷ 145 146 ÷ 244 245 ÷ 255	000
	6	HUE FINE	000 ÷ 255	000
4	7	CROSSFADE FROM CCT TO COLOR 0÷100%	000 ÷ 255	000
	8	CROSSFADE FROM CCT TO COLOR FINE	000 ÷ 255	000
5	9	RED 0÷100%	000 ÷ 255	000

1M 12Ch	2M 20Ch	FUNCTION	DMX Value	Default
	10	RED FINE	000 ÷ 255	000
6	11	GREEN 0÷100%	000 ÷ 255	000
	12	GREEN FINE	000 ÷ 255	000
7	13	BLUE 0÷100%	000 ÷ 255	000
	14	BLUE FINE	000 ÷ 255	000
8	15	WHITE 0÷100%	000 ÷ 255	000
	16	WHITE FINE	000 ÷ 255	000
9	17	FAN CONTROL Use Fan Mode setting of fixture menu QUIET 1 Mode AUTO Mode TURBO Mode Not Used QUIET 2 Mode Off Mode	000 ÷ 009 010 ÷ 057 058 ÷ 105 106 ÷ 153 154 ÷ 201 202 ÷ 249 250 ÷ 255	000
10	18	COLOR MACRO Open Red Green Blue Cyan Magenta Yellow Dirty White Alice Blue Congo Blue Dark Steel Blue Deep Lavender Lilac Ting Daylight Blue Flame Red Bastard Amber Deep Orange Pale Gold Apricot Bright Blue Primary Green Special Lavender Pale Lavender Deep Golden Amber Medium Blue Bright Pink Mauve Dark Green Lee Green Dark Blue Light Blue Steel Blue Medium Blue-Green Peacock Blue Magenta Dark Pink Middle Rose Light Salmon English Rose Light Rose Orange Deep Amber Straw Light Amber Spring Yellow Dark Yellow Green Just Blue Sky Blue Lavender Light Lavender Pink Carnation Medium Pink	000 ÷ 001 002 ÷ 003 004 ÷ 005 006 ÷ 007 008 ÷ 009 010 ÷ 011 012 ÷ 013 014 ÷ 015 016 ÷ 017 018 ÷ 019 020 ÷ 021 022 ÷ 023 024 ÷ 025 026 ÷ 027 028 ÷ 029 030 ÷ 031 032 ÷ 033 034 ÷ 035 036 ÷ 037 038 ÷ 039 040 ÷ 041 042 ÷ 043 044 ÷ 045 046 ÷ 047 048 ÷ 049 050 ÷ 051 052 ÷ 053 054 ÷ 055 056 ÷ 057 058 ÷ 059 060 ÷ 061 062 ÷ 063 064 ÷ 065 066 ÷ 067 068 ÷ 069 070 ÷ 071 072 ÷ 073 074 ÷ 075 076 ÷ 077 078 ÷ 079 080 ÷ 081 082 ÷ 083 084 ÷ 085 086 ÷ 087 088 ÷ 089 090 ÷ 091 092 ÷ 093 094 ÷ 095 096 ÷ 097 098 ÷ 099 100 ÷ 101 102 ÷ 103	000

1M 12Ch	2M 20Ch	FUNCTION	DMX Value	Default
10	18	Light Pink Sunset Red Dark Amber Gold Amber Medium Amber Fire Surprise Peach Straw Tint Medium Yellow Lee Minus Green Pale Gold Orange Deep Straw Rose Purple Deep Purple Soft Green Reserved 2800K 3000K 3200K 3400K 3600K 3800K 4000K 4200K 4400K 4600K 4800K 5000K 5200K 5400K 5600K 6000K 6500K 7000K 8000K 9000K 10000K Full On	104 + 105 106 + 107 108 + 109 110 + 111 112 + 113 114 + 115 116 + 117 118 + 119 120 + 121 122 + 123 124 + 125 126 + 127 128 + 129 130 + 131 132 + 133 134 + 135 136 + 211 212 + 213 214 + 215 216 + 217 218 + 219 220 + 221 222 + 223 224 + 225 226 + 227 228 + 229 230 + 231 232 + 233 234 + 235 236 + 237 238 + 239 240 + 241 242 + 243 244 + 245 246 + 247 248 + 249 250 + 251 252 + 253 254 + 255	000
11	19	STROBE Open 1 flash/s -> 25 flashes/s	000-019 020-255	000
12	20	CONTROL CHANNEL No Function FAN MODE AUTO CONST. OUT. FAN MODE ON CONST. OUT. FAN MODE OFF CONST. OUT. FAN MODE SILENT 1 CONST. OUT. FAN MODE SILENT 2 CONST. OUT. LED FREQUENCY 600HZ LED FREQUENCY 1200HZ LED FREQUENCY 2000HZ LED FREQUENCY 4000HZ LED FREQUENCY 6000HZ LED FREQUENCY 25KHZ LED FREQUENCY 36KHZ FAN MODE AUTO DYNAMIC OUT. FAN MODE ON DYNAMIC OUT. FAN MODE OFF DYNAMIC OUT. FAN MODE SILENT 1 DYNAMIC OUT. FAN MODE SILENT 2 DYNAMIC OUT. DIMMER MODE OFF DIMMER MODE 1 DIMMER MODE 2 DIMMER MODE 3 DIMMER CURVE LINEAR DIMMER CURVE S-CURVE DIMMER CURVE SQUARE LAW DIMMER CURVE INV. SQUARE LAW DIMMER CURVE HIGH RES@LOW DIMMER END SNAP OFF @ END DIMMER END FADE OFF @ END LED FREQUENCY 10KHZ LED FREQUENCY 12KHZ LED FREQUENCY 15KHZ LED FREQUENCY 20KHZ RESERVED RESET ALL CHANNELS CONTROLLED	000 + 001 002 + 003 004 + 005 006 + 007 008 + 009 010 + 011 012 + 013 014 + 015 016 + 017 018 + 019 020 + 021 022 + 023 024 + 025 026 + 027 028 + 029 030 + 031 032 + 033 034 + 035 036 + 037 038 + 039 040 + 041 042 + 043 044 + 045 046 + 047 048 + 049 050 + 051 052 + 053 054 + 055 056 + 057 058 + 059 060 + 061 062 + 063 064 + 065 066 + 253 254 + 255	000

PIXEL LAYOUT



FILM

3M17Ch and 4M33Ch

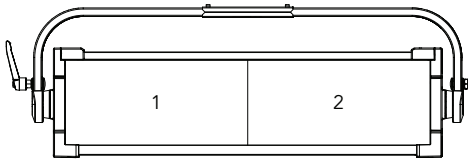
3M17Ch	4M33Ch	FUNCTION	DMX Value	Default
1	1	PIXEL 1 DIMMER 0÷100%	000 ÷ 255	000
	2	PIXEL 1 DIMMER FINE	000 ÷ 255	000
2	3	PIXEL 1 CCT 2800K - 3000K 3000K - 3200K 3200K - 3400K 3400K - 3600K 3600K - 3800K 3800K - 4000K 4000K - 4200K 4200K - 4400K 4400K - 4600K 4600K - 4800K 4800K - 5000K 5000K - 5200K 5200K - 5400K 5400K - 5600K 5600K - 5800K 5800K - 6000K 6000K - 6200K 6200K - 6400K 6400K - 6600K 6600K - 6800K 6800K - 7000K 7000K - 7200K 7200K - 7400K 7400K - 7600K 7600K - 7800K 7800K - 8000K 8000K - 8200K 8200K - 8400K 8400K - 8600K 8600K - 8800K 8800K - 9000K 9000K - 9200K 9200K - 9400K 9400K - 9600K 9600K - 9800K 9800K - 10000K	000 ÷ 007 007 ÷ 014 014 ÷ 021 021 ÷ 028 028 ÷ 035 035 ÷ 042 042 ÷ 049 049 ÷ 056 056 ÷ 063 063 ÷ 070 070 ÷ 077 077 ÷ 084 084 ÷ 091 091 ÷ 098 098 ÷ 105 105 ÷ 112 112 ÷ 119 119 ÷ 126 126 ÷ 133 133 ÷ 140 140 ÷ 147 147 ÷ 154 154 ÷ 161 161 ÷ 168 168 ÷ 175 175 ÷ 182 182 ÷ 189 189 ÷ 196 196 ÷ 203 203 ÷ 210 210 ÷ 217 217 ÷ 224 224 ÷ 231 231 ÷ 238 238 ÷ 245 245 ÷ 255	000
	4	PIXEL 1 CCT FINE	000 ÷ 255	000
3	5	PIXEL 1 HUE Neutral / no effect Full minus green -99% --> -1% Neutral / no effect 1% --> 99% Full plus green	000 ÷ 010 011 ÷ 020 021 ÷ 119 120 ÷ 145 146 ÷ 244 245 ÷ 255	000
	6	PIXEL 1 HUE FINE	000 ÷ 255	000
4	7	PIXEL 1 CROSSFADE FROM CCT TO COLOR 0÷100%	000 ÷ 255	000
	8	PIXEL 1 CROSSFADE FROM CCT TO COLOR FINE	000 ÷ 255	000
5	9	PIXEL 1 RED 0÷100%	000 ÷ 255	000

3M17Ch	4M33Ch	FUNCTION	DMX Value	Default
	10	PIXEL 1 RED FINE	000 ÷ 255	000
6	11	PIXEL 1 GREEN 0÷100%	000 ÷ 255	000
	12	PIXEL 1 GREEN FINE	000 ÷ 255	000
7	13	PIXEL 1 BLUE 0÷100%	000 ÷ 255	000
	14	PIXEL 1 BLUE FINE	000 ÷ 255	000
8	15	PIXEL 1 WHITE 0÷100%	000 ÷ 255	000
	16	PIXEL 1 WHITE FINE	000 ÷ 255	000
9	17	PIXEL 2 DIMMER 0÷100%	000 ÷ 255	000
	18	PIXEL 2 DIMMER FINE	000 ÷ 255	000
10	19	PIXEL 2 CCT 2800K - 3000K 3000K - 3200K 3200K - 3400K 3400K - 3600K 3600K - 3800K 3800K - 4000K 4000K - 4200K 4200K - 4400K 4400K - 4600K 4600K - 4800K 4800K - 5000K 5000K - 5200K 5200K - 5400K 5400K - 5600K 5600K - 5800K 5800K - 6000K 6000K - 6200K 6200K - 6400K 6400K - 6600K 6600K - 6800K 6800K - 7000K 7000K - 7200K 7200K - 7400K 7400K - 7600K 7600K - 7800K 7800K - 8000K 8000K - 8200K 8200K - 8400K 8400K - 8600K 8600K - 8800K 8800K - 9000K 9000K - 9200K 9200K - 9400K 9400K - 9600K 9600K - 9800K 9800K - 10000K	000 ÷ 007 007 ÷ 014 014 ÷ 021 021 ÷ 028 028 ÷ 035 035 ÷ 042 042 ÷ 049 049 ÷ 056 056 ÷ 063 063 ÷ 070 070 ÷ 077 077 ÷ 084 084 ÷ 091 091 ÷ 098 098 ÷ 105 105 ÷ 112 112 ÷ 119 119 ÷ 126 126 ÷ 133 133 ÷ 140 140 ÷ 147 147 ÷ 154 154 ÷ 161 161 ÷ 168 168 ÷ 175 175 ÷ 182 182 ÷ 189 189 ÷ 196 196 ÷ 203 203 ÷ 210 210 ÷ 217 217 ÷ 224 224 ÷ 231 231 ÷ 238 238 ÷ 245 245 ÷ 255	000
	20	PIXEL 2 CCT FINE	000 ÷ 255	000
11	21	PIXEL 2 HUE Neutral / no effect Full minus green -99% --> -1% Neutral / no effect 1% --> 99% Full plus green	000 ÷ 010 011 ÷ 020 021 ÷ 119 120 ÷ 145 146 ÷ 244 245 ÷ 255	000
	22	PIXEL 2 HUE FINE	000 ÷ 255	000
12	23	PIXEL 2 CROSSFADE FROM CCT TO COLOR 0÷100%	000 ÷ 255	000
	24	PIXEL 2 CROSSFADE FROM CCT TO COLOR FINE	000 ÷ 255	000

3M17Ch	4M33Ch	FUNCTION	DMX Value	Default
13	25	PIXEL 2 RED 0÷100%	000 ÷ 255	000
	26	PIXEL 2 RED FINE	000 ÷ 255	000
14	27	PIXEL 2 GREEN 0÷100%	000 ÷ 255	000
	28	PIXEL 2 GREEN FINE	000 ÷ 255	000
15	29	PIXEL 2 BLUE 0÷100%	000 ÷ 255	000
	30	PIXEL 2 BLUE FINE	000 ÷ 255	000
16	31	PIXEL 2 WHITE 0÷100%	000 ÷ 255	000
	32	PIXEL 2 WHITE FINE	000 ÷ 255	000
17	33	CONTROL Use Fan Mode setting of fixture menu QUIET 1 Mode AUTO Mode TURBO Mode AUTO Mode (AUTO CO) SILENT 1 Mode (SILENT 1 CO) SILENT 2 Mode (SILENT 2 CO) HIGH Mode (HIGH CO) OFF Mode (OFF CO) DIMMER MODE OFF DIMMER MODE 1 DIMMER MODE 2 DIMMER MODE 3 DIMMER CURVE LINEAR DIMMER CURVE S-CURVE DIMMER CURVE SQUARE LAW DIMMER CURVE INV. SQUARE LAW DIMMER CURVE HIGH RES@LOW LED FREQUENCY 600HZ LED FREQUENCY 1200HZ LED FREQUENCY 2000HZ LED FREQUENCY 4000HZ LED FREQUENCY 6000HZ LED FREQUENCY 25KHZ LED FREQUENCY 36KHZ DIMMER END SNAP OFF @ END RESET ALL CHANNELS CONTROLLED DIMMER END FADE OFF @ END QUIET 2 Mode LED FREQUENCY 10KHZ LED FREQUENCY 12KHZ LED FREQUENCY 15KHZ LED FREQUENCY 20KHZ RESERVED Off Mode	000 ÷ 009 010 ÷ 057 058 ÷ 105 106 ÷ 153 154 ÷ 155 156 ÷ 157 158 ÷ 159 160 ÷ 161 162 ÷ 163 164 ÷ 165 166 ÷ 167 168 ÷ 169 170 ÷ 171 172 ÷ 173 174 ÷ 175 176 ÷ 177 178 ÷ 179 180 ÷ 181 182 ÷ 183 184 ÷ 185 186 ÷ 187 188 ÷ 189 190 ÷ 191 192 ÷ 193 194 ÷ 195 196 ÷ 197 198 ÷ 199 200 ÷ 201 202 ÷ 203 204 ÷ 205 206 ÷ 207 208 ÷ 209 210 ÷ 211 212 ÷ 249 250 ÷ 255	000

FILM
5M17Ch and 6M33Ch

Ch	5M17Ch	Ch	6M33Ch
1	CONTROL	1	CONTROL
2	PIXEL 1 DIMMER	2	PIXEL 1 DIMMER
3	PIXEL 1 CCT	3	PIXEL 1 DIMMER FINE
4	PIXEL 1 HUE	4	PIXEL 1 CCT
5	PIXEL 1 CROSSFADE FROM CCT TO COLOR	5	PIXEL 1 CCT FINE
6	PIXEL 1 RED	6	PIXEL 1 HUE
7	PIXEL 1 GREEN	7	PIXEL 1 HUE FINE
8	PIXEL 1 BLUE	8	PIXEL 1 CROSSFADE FROM CCT TO COLOR
9	PIXEL 1 WHITE	9	PIXEL 1 CROSSFADE FROM CCT TO COLOR FINE
10	PIXEL 2 DIMMER	10	PIXEL 1 RED
11	PIXEL 2 CCT	11	PIXEL 1 RED FINE
12	PIXEL 2 HUE	12	PIXEL 1 GREEN
13	PIXEL 2 CROSSFADE FROM CCT TO COLOR	13	PIXEL 1 GREEN FINE
14	PIXEL 2 RED	14	PIXEL 1 BLUE
15	PIXEL 2 GREEN	15	PIXEL 1 BLUE FINE
16	PIXEL 2 BLUE	16	PIXEL 1 WHITE
17	PIXEL 2 WHITE	17	PIXEL 1 WHITE FINE
PIXEL LAYOUT		18	PIXEL 2 DIMMER
		19	PIXEL 2 DIMMER FINE
		20	PIXEL 2 CCT
		21	PIXEL 2 CCT FINE
		22	PIXEL 2 HUE
		23	PIXEL 2 HUE FINE
		24	PIXEL 2 CROSSFADE FROM CCT TO COLOR
		25	PIXEL 2 CROSSFADE FROM CCT TO COLOR FINE
		26	PIXEL 2 RED
		27	PIXEL 2 RED FINE
		28	PIXEL 2 GREEN
		29	PIXEL 2 GREEN FINE
		30	PIXEL 2 BLUE
		31	PIXEL 2 BLUE FINE
		32	PIXEL 2 WHITE
		33	PIXEL 2 WHITE FINE



5M17Ch	6M33Ch	FUNCTION	DMX Value	Default
1	1	CONTROL CHANNEL		
		No Function	000 ÷ 001	
		FAN MODE AUTO CONST. OUT.	002 ÷ 003	
		FAN MODE ON CONST. OUT.	004 ÷ 005	
		FAN MODE OFF CONST. OUT.	006 ÷ 007	
		FAN MODE SILENT 1 CONST. OUT.	008 ÷ 009	
		FAN MODE SILENT 2 CONST. OUT.	010 ÷ 011	
		LED FREQUENCY 600HZ	012 ÷ 013	
		LED FREQUENCY 1200HZ	014 ÷ 015	
		LED FREQUENCY 2000HZ	016 ÷ 017	
		LED FREQUENCY 4000HZ	018 ÷ 019	
		LED FREQUENCY 6000HZ	020 ÷ 021	
		LED FREQUENCY 25KHZ	022 ÷ 023	
		LED FREQUENCY 36KHZ	024 ÷ 025	
		FAN MODE AUTO DYNAMIC OUT.	026 ÷ 027	
		FAN MODE ON DYNAMIC OUT.	028 ÷ 029	
		FAN MODE OFF DYNAMIC OUT.	030 ÷ 031	
		FAN MODE SILENT 1 DYNAMIC OUT.	032 ÷ 033	
		FAN MODE SILENT 2 DYNAMIC OUT.	034 ÷ 035	000
		DIMMER MODE OFF	036 ÷ 037	
		DIMMER MODE 1	038 ÷ 039	
		DIMMER MODE 2	040 ÷ 041	
		DIMMER MODE 3	042 ÷ 043	
		DIMMER CURVE LINEAR	044 ÷ 045	
		DIMMER CURVE S-CURVE	046 ÷ 047	
		DIMMER CURVE SQUARE LAW	048 ÷ 049	
		DIMMER CURVE INV. SQUARE LAW	050 ÷ 051	
DIMMER CURVE HIGH RES@LOW	052 ÷ 053			
DIMMER END SNAP OFF @ END	054 ÷ 055			
DIMMER END FADE OFF @ END	056 ÷ 057			
LED FREQUENCY 10KHZ	058 ÷ 059			
LED FREQUENCY 12KHZ	060 ÷ 061			
LED FREQUENCY 15KHZ	062 ÷ 063			
LED FREQUENCY 20KHZ	064 ÷ 065			
RESERVED	066 ÷ 253			
RESET ALL CHANNELS CONTROLLED	254 ÷ 255			
2	2	PIXEL 1 DIMMER 0÷100%	000 ÷ 255	000
	3	PIXEL 1 DIMMER FINE	000 ÷ 255	000
3	4	PIXEL 1 CCT 2200÷15000K	000 ÷ 255	000
	5	PIXEL 1 CCT FINE	000 ÷ 255	000
4	6	PIXEL 1 HUE Neutral -100 to -1 Green Neutral +1 to +100 Green	000 ÷ 010 011 ÷ 133 134 135 ÷ 255	000
	7	PIXEL 1 HUE FINE	000 ÷ 255	000
	8	PIXEL 1 CROSSFADE FROM CCT TO COLOR 0÷100%	000 ÷ 255	000
5	9	PIXEL 1 CROSSFADE FROM CCT TO COLOR FINE	000 ÷ 255	000
	10	PIXEL 1 RED 0÷100%	000 ÷ 255	000
6	11	PIXEL 1 RED FINE	000 ÷ 255	000
	12	PIXEL 1 GREEN 0÷100%	000 ÷ 255	000
	13	PIXEL 1 GREEN FINE	000 ÷ 255	000
8	14	PIXEL 1 BLUE 0÷100%	000 ÷ 255	000
	15	PIXEL 1 BLUE FINE	000 ÷ 255	000
9	16	PIXEL 1 WHITE 0÷100%	000 ÷ 255	000
	17	PIXEL 1 WHITE FINE	000 ÷ 255	000
10	18	PIXEL 2 DIMMER 0÷100%	000 ÷ 255	000

5M17Ch	6M33Ch	FUNCTION	DMX Value	Default
...	19	PIXEL 2 DIMMER FINE	000 ÷ 255	000
11	20	PIXEL 2 CCT 2200÷15000K	000 ÷ 255	000
	21	PIXEL 2 CCT FINE	000 ÷ 255	000
12	22	PIXEL 2 HUE Neutral -100 to -1 Green Neutral +1 to +100 Green	000 ÷ 010 011 ÷ 133 134 135 ÷ 255	000
	23	PIXEL 2 HUE FINE	000 ÷ 255	000
13	24	PIXEL 2 CROSSFADE FROM CCT TO COLOR 0÷100%	000 ÷ 255	000
	25	PIXEL 2 CROSSFADE FROM CCT TO COLOR FINE	000 ÷ 255	000
14	26	PIXEL 2 RED 0÷100%	000 ÷ 255	000
	27	PIXEL 2 RED FINE	000 ÷ 255	000
15	28	PIXEL 2 GREEN 0÷100%	000 ÷ 255	000
	29	PIXEL 2 GREEN FINE	000 ÷ 255	000
16	30	PIXEL 2 BLUE 0÷100%	000 ÷ 255	000
	31	PIXEL 2 BLUE FINE	000 ÷ 255	000
17	32	PIXEL 2 WHITE 0÷100%	000 ÷ 255	000
	33	PIXEL 2 WHITE FINE	000 ÷ 255	000

FILM
XY Mode

PIXEL LAYOUT



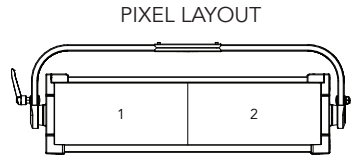
XY	FUNCTION	DMX Value	Default
1	DIMMER 0÷100%	000 ÷ 255	000
2	DIMMER FINE	000 ÷ 255	000
3	STROBE Closed Strobe slow to fast Open Random slow to fast Open	000 ÷ 030 031 ÷ 100 101 ÷ 130 131 ÷ 200 201 ÷ 255	255
3	CCT Open 2800K - 3000K 3000K - 3200K 3200K - 3400K 3400K - 3600K 3600K - 3800K 3800K - 4000K 4000K - 4200K 4200K - 4400K 4400K - 4600K 4600K - 4800K 4800K - 5000K 5000K - 5200K 5200K - 5400K 5400K - 5600K 5600K - 5800K 5800K - 6000K 6000K - 6200K 6200K - 6400K 6400K - 6600K 6600K - 6800K 6800K - 7000K 7000K - 7200K 7200K - 7400K 7400K - 7600K 7600K - 7800K 7800K - 8000K 8000K - 8200K 8200K - 8400K 8400K - 8600K 8600K - 8800K 8800K - 9000K 9000K - 9200K 9200K - 9400K 9400K - 9600K 9600K - 9800K 9800K - 10000K	000 ÷ 001 002 ÷ 009 009 ÷ 016 016 ÷ 023 023 ÷ 030 030 ÷ 037 037 ÷ 044 044 ÷ 051 051 ÷ 058 058 ÷ 065 065 ÷ 072 072 ÷ 079 079 ÷ 086 086 ÷ 093 093 ÷ 100 100 ÷ 107 107 ÷ 114 114 ÷ 121 121 ÷ 128 128 ÷ 135 135 ÷ 142 142 ÷ 149 149 ÷ 156 156 ÷ 163 163 ÷ 170 170 ÷ 177 177 ÷ 184 184 ÷ 191 191 ÷ 198 198 ÷ 205 205 ÷ 212 212 ÷ 219 219 ÷ 226 226 ÷ 233 233 ÷ 240 240 ÷ 247 247 ÷ 255	000
5	HUE Neutral / no effect Full minus green -99% --> -1% Neutral / no effect 1% --> 99% Full plus green	000 ÷ 010 011 ÷ 020 021 ÷ 119 120 ÷ 145 146 ÷ 244 245 ÷ 255	000
6	X 1 0.00 ÷ 0.85	000 ÷ 255	000
7	X 1 FINE	000 ÷ 255	000

XY	FUNCTION	DMX Value	Default
8	Y 1 0.00 ÷ 0.85	000 ÷ 255	000
9	Y 1 FINE	000 ÷ 255	000
10	CROSSFADE FROM LAYER 1 TO LAYER 2 0÷100%	000 ÷ 255	000
11	X 2 0.00 ÷ 0.85	000 ÷ 255	000
12	X 2 FINE	000 ÷ 255	000
13	Y 2 0.00 ÷ 0.85	000 ÷ 255	000
14	Y 2 FINE	000 ÷ 255	000
15	COLOR MACRO Open Red Green Blue Cyan Magenta Yellow Dirty White Alice Blue Congo Blue Dark Steel Blue Deep Lavender Lilac Ting Daylight Blue Flame Red Bastard Amber Deep Orange Pale Gold Apricot Bright Blue Primary Green Special Lavender Pale Lavender Deep Golden Amber Medium Blue Bright Pink Mauve Dark Green Lee Green Dark Blue Light Blue Steel Blue Medium Blue-Green Peacock Blue Magenta Dark Pink Middle Rose Light Salmon English Rose Light Rose Orange Deep Amber Straw Light Amber Spring Yellow Dark Yellow Green Just Blue Sky Blue Lavender Light Lavender Pink Carnation Medium Pink Light Pink Sunset Red Dark Amber Gold Amber Medium Amber Fire	000 ÷ 001 002 ÷ 003 004 ÷ 005 006 ÷ 007 008 ÷ 009 010 ÷ 011 012 ÷ 013 014 ÷ 015 016 ÷ 017 018 ÷ 019 020 ÷ 021 022 ÷ 023 024 ÷ 025 026 ÷ 027 028 ÷ 029 030 ÷ 031 032 ÷ 033 034 ÷ 035 036 ÷ 037 038 ÷ 039 040 ÷ 041 042 ÷ 043 044 ÷ 045 046 ÷ 047 048 ÷ 049 050 ÷ 051 052 ÷ 053 054 ÷ 055 056 ÷ 057 058 ÷ 059 060 ÷ 061 062 ÷ 063 064 ÷ 065 066 ÷ 067 068 ÷ 069 070 ÷ 071 072 ÷ 073 074 ÷ 075 076 ÷ 077 078 ÷ 079 080 ÷ 081 082 ÷ 083 084 ÷ 085 086 ÷ 087 088 ÷ 089 090 ÷ 091 092 ÷ 093 094 ÷ 095 096 ÷ 097 098 ÷ 099 100 ÷ 101 102 ÷ 103 104 ÷ 105 106 ÷ 107 108 ÷ 109 110 ÷ 111 112 ÷ 113 114 ÷ 115	000

XY	FUNCTION	DMX Value	Default
	Surprise Peach Straw Tint Medium Yellow Lee Minus Green Pale Gold Orange Deep Straw Rose Purple Deep Purple Soft Green Reserved 2800K 3000K 3200K 3400K 3600K 3800K 4000K 4200K 4400K 4600K 4800K 5000K 5200K 5400K 5600K 6000K 6500K 7000K 8000K 9000K 10000K Full On	116 ÷ 117 118 ÷ 119 120 ÷ 121 122 ÷ 123 124 ÷ 125 126 ÷ 127 128 ÷ 129 130 ÷ 131 132 ÷ 133 134 ÷ 135 136 ÷ 211 212 ÷ 213 214 ÷ 215 216 ÷ 217 218 ÷ 219 220 ÷ 221 222 ÷ 223 224 ÷ 225 226 ÷ 227 228 ÷ 229 230 ÷ 231 232 ÷ 233 234 ÷ 235 236 ÷ 237 238 ÷ 239 240 ÷ 241 242 ÷ 243 244 ÷ 245 246 ÷ 247 248 ÷ 249 250 ÷ 251 252 ÷ 253 254 ÷ 255	000
16	CTO ON COLORS 0÷100%	000 ÷ 255	000
17	CONTROL CHANNEL No Function FAN MODE AUTO CONST. OUT. FAN MODE ON CONST. OUT. FAN MODE OFF CONST. OUT. FAN MODE SILENT 1 CONST. OUT. FAN MODE SILENT 2 CONST. OUT. LED FREQUENCY 600HZ LED FREQUENCY 1200HZ LED FREQUENCY 2000HZ LED FREQUENCY 4000HZ LED FREQUENCY 6000HZ LED FREQUENCY 25KHZ LED FREQUENCY 36KHZ FAN MODE AUTO DYNAMIC OUT. FAN MODE ON DYNAMIC OUT. FAN MODE OFF DYNAMIC OUT. FAN MODE SILENT 1 DYNAMIC OUT. FAN MODE SILENT 2 DYNAMIC OUT. DIMMER MODE OFF DIMMER MODE 1 DIMMER MODE 2 DIMMER MODE 3 DIMMER CURVE LINEAR DIMMER CURVE S-CURVE DIMMER CURVE SQUARE LAW DIMMER CURVE INV. SQUARE LAW DIMMER CURVE HIGH RES@LOW DIMMER END SNAP OFF @ END DIMMER END FADE OFF @ END LED FREQUENCY 10KHZ LED FREQUENCY 12KHZ LED FREQUENCY 15KHZ LED FREQUENCY 20KHZ RESERVED RESET ALL CHANNELS CONTROLLED	000 ÷ 001 002 ÷ 003 004 ÷ 005 006 ÷ 007 008 ÷ 009 010 ÷ 011 012 ÷ 013 014 ÷ 015 016 ÷ 017 018 ÷ 019 020 ÷ 021 022 ÷ 023 024 ÷ 025 026 ÷ 027 028 ÷ 029 030 ÷ 031 032 ÷ 033 034 ÷ 035 036 ÷ 037 038 ÷ 039 040 ÷ 041 042 ÷ 043 044 ÷ 045 046 ÷ 047 048 ÷ 049 050 ÷ 051 052 ÷ 053 054 ÷ 055 056 ÷ 057 058 ÷ 059 060 ÷ 061 062 ÷ 063 064 ÷ 065 066 ÷ 253 254 ÷ 255	000

FILM
2 Pix Direct

Ch	2 Pix Direct
1	PIXEL 1 RED
2	PIXEL 1 GREEN
3	PIXEL 1 BLUE
4	PIXEL 1 WHITE
5	PIXEL 2 RED
6	PIXEL 2 GREEN
7	PIXEL 2 BLUE
8	PIXEL 2 WHITE



2 Pix Direct	FUNCTION	DMX Value	Default
1	PIXEL 1 RED 0÷100%	000 ÷ 255	255
2	PIXEL 1 GREEN 0÷100%	000 ÷ 255	255
3	PIXEL 1 BLUE 0÷100%	000 ÷ 255	255
4	PIXEL 1 WHITE 0÷100%	000 ÷ 255	255
5	PIXEL 2 RED 0÷100%	000 ÷ 255	255
6	PIXEL 2 GREEN 0÷100%	000 ÷ 255	255
7	PIXEL 2 BLUE 0÷100%	000 ÷ 255	255
8	PIXEL 2 WHITE 0÷100%	000 ÷ 255	255

COLOR MACRO 21CH			
Open	002 ÷ 003	Dark Yellow Green	090 ÷ 091
Red	004 ÷ 005	Just Blue	092 ÷ 093
Green	006 ÷ 007	Sky Blue	094 ÷ 095
Blue	008 ÷ 009	Lavender	096 ÷ 097
Cyan	010 ÷ 011	Light Lavender	098 ÷ 099
Magenta	012 ÷ 013	Pink Carnation	100 ÷ 101
Yellow	014 ÷ 015	Medium Pink	102 ÷ 103
Dirty White	016 ÷ 017	Light Pink	104 ÷ 105
Alice Blue	018 ÷ 019	Sunset Red	106 ÷ 107
Congo Blue	020 ÷ 021	Dark Amber	108 ÷ 109
Dark Steel Blue	022 ÷ 023	Gold Amber	110 ÷ 111
Deep Lavender	024 ÷ 025	Medium Amber	112 ÷ 113
Lilac Ting	026 ÷ 027	Fire	114 ÷ 115
Daylight Blue	028 ÷ 029	Surprise Peach	116 ÷ 117
Flame Red	030 ÷ 031	Straw Tint	118 ÷ 119
Bastard Amber	032 ÷ 033	Medium Yellow	120 ÷ 121
Deep Orange	034 ÷ 035	Lee Minus Green	122 ÷ 123
Pale Gold	036 ÷ 037	Pale Gold	124 ÷ 125
Apricot	038 ÷ 039	Orange	126 ÷ 127
Bright Blue	040 ÷ 041	Deep Straw	128 ÷ 129
Primary Green	042 ÷ 043	Rose Purple	130 ÷ 131
Special Lavender	044 ÷ 045	Deep Purple	132 ÷ 133
Pale Lavender	046 ÷ 047	Soft Green	134 ÷ 135
Deep Golden Amber	048 ÷ 049	Reserved	136 ÷ 211
Medium Blue	050 ÷ 051	2800K	212 ÷ 213
Bright Pink	052 ÷ 053	3000K	214 ÷ 215
Mauve	054 ÷ 055	3200K	216 ÷ 217
Dark Green	056 ÷ 057	3400K	218 ÷ 219
Lee Green	058 ÷ 059	3600K	220 ÷ 221
Dark Blue	060 ÷ 061	3800K	222 ÷ 223
Light Blue	062 ÷ 063	4000K	224 ÷ 225
Steel Blue	064 ÷ 065	4200K	226 ÷ 227
Medium Blue-Green	066 ÷ 067	4400K	228 ÷ 229
Peacock Blue	068 ÷ 069	4600K	230 ÷ 231
Magenta	070 ÷ 071	4800K	232 ÷ 233
Dark Pink	072 ÷ 073	5000K	234 ÷ 235
Middle Rose	074 ÷ 075	5200K	236 ÷ 237
Light Salmon	076 ÷ 077	5400K	238 ÷ 239
English Rose	078 ÷ 079	5600K	240 ÷ 241
Light Rose	080 ÷ 081	6000K	242 ÷ 243
Orange	082 ÷ 083	6500K	244 ÷ 245
Deep Amber	084 ÷ 085	7000K	246 ÷ 247
Straw	086 ÷ 087	8000K	248 ÷ 249
Light Amber	000 ÷ 001	9000K	250 ÷ 251
Spring Yellow	088 ÷ 089	10000K	252 ÷ 253
		Full On	254 ÷ 255

TOUR

Channel	4 Ch	6 Ch	10 Ch	11 Ch	15 Ch
1	RED	DIMMER	DIMMER	DIMMER	DIMMER
2	GREEN	RED	RED	DIMMER FINE	DIMMER FINE
3	BLUE	GREEN	GREEN	RED	RED
4	WHITE	BLUE	BLUE	RED FINE	RED FINE
5		WHITE	WHITE	GREEN	GREEN
6		STROBE	STROBE	GREEN FINE	GREEN FINE
7			CCT	BLUE	BLUE
8			EFFECTS	BLUE FINE	BLUE FINE
9			EFFECTS SPEED	WHITE	WHITE
10			DIMMER FADE	WHITE FINE	WHITE FINE
11				STROBE	STROBE
12					CCT
13					EFFECTS
14					EFFECTS SPEED
15					DIMMER FADE

TOUR

4 Ch	6 Ch	10 Ch	11 Ch	15 Ch	FUNCTION	DMX Value	Default
	1	1	1	1	DIMMER 0÷100%	000 ÷ 255	000
			2	2	DIMMER FINE 0÷100%	000 ÷ 255	000
1	2	2	3	3	RED 0÷100%	000 ÷ 255	255
			4	4	RED FINE 0÷100%	000 ÷ 255	255
2	3	3	5	5	GREEN 0÷100%	000 ÷ 255	255
			6	6	GREEN FINE 0÷100%	000 ÷ 255	255
3	4	4	7	7	BLUE 0÷100%	000 ÷ 255	255
			8	8	BLUE FINE 0÷100%	000 ÷ 255	255
4	5	5	9	9	WHITE 0÷100%	000 ÷ 255	255
			10	10	WHITE FINE 0÷100%	000 ÷ 255	255
	6	6	11	11	STROBE Closed Strobe slow to fast Open Random slow to fast Open	000 ÷ 030 031 ÷ 100 101 ÷ 130 131 ÷ 200 201 ÷ 255	255
		7		12	CCT No Function 2800K 3200K 3500K 4000K 4500K 5000K 5600K 6000K 6500K No Function	000 ÷ 005 006 ÷ 030 031 ÷ 055 056 ÷ 080 081 ÷ 105 106 ÷ 130 131 ÷ 155 156 ÷ 180 181 ÷ 205 206 ÷ 230 231 ÷ 255	000

4 Ch	6 Ch	10 Ch	11 Ch	15 Ch	FUNCTION	DMX Value	Default
		8		13	EFFECTS No Function Effect 1 Effect 2 Effect 3 Effect 4 Effect 5 Candle Cop Car1 Cop Car2 Cop Car3 Fire Fireworks Paparazzi Television Party Clouds Club Color Chase Strobe Lighting Explosion Fluorescent Process Pulsing Welding	000 ÷ 010 011 ÷ 020 021 ÷ 030 031 ÷ 040 041 ÷ 050 051 ÷ 060 061 ÷ 070 071 ÷ 080 081 ÷ 090 091 ÷ 100 101 ÷ 110 111 ÷ 120 121 ÷ 130 131 ÷ 140 141 ÷ 150 151 ÷ 160 161 ÷ 170 171 ÷ 180 181 ÷ 190 191 ÷ 200 201 ÷ 210 211 ÷ 220 221 ÷ 230 231 ÷ 240 241 ÷ 255	000
		9		14	EFFECTS SPEED Speed slow to fast	000 ÷ 255	128
		10		15	DIMMER FADE Read from menu 0÷100%	000 ÷ 000 001 ÷ 255	000

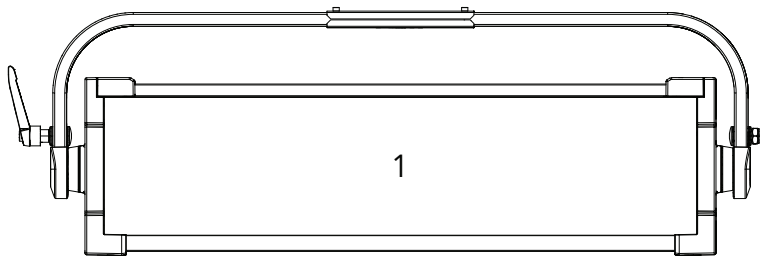
PIXEL

Channel	1	2V	2H	4V	4H	8
1	DIMMER	DIMMER	DIMMER	DIMMER	DIMMER	DIMMER
2	STROBE	STROBE	STROBE	STROBE	STROBE	STROBE
3	DIMMER FADE	DIMMER FADE	DIMMER FADE	DIMMER FADE	DIMMER FADE	DIMMER FADE
4	RED	RED1	RED1	RED1	RED1	RED1
5	GREEN	GREEN1	GREEN1	GREEN1	GREEN1	GREEN1
6	BLUE	BLUE1	BLUE1	BLUE1	BLUE1	BLUE1
7	WHITE	WHITE1	WHITE1	WHITE1	WHITE1	WHITE1
8		RED2	RED2	RED2	RED2	RED2
9		GREEN2	GREEN2	GREEN2	GREEN2	GREEN2
10		BLUE2	BLUE2	BLUE2	BLUE2	BLUE2
11		WHITE2	WHITE2	WHITE2	WHITE2	WHITE2
12				RED3	RED3	RED3
13				GREEN3	GREEN3	GREEN3
14				BLUE3	BLUE3	BLUE3
15				WHITE3	WHITE3	WHITE3
16				RED4	RED4	RED4
17				GREEN4	GREEN4	GREEN4
18				BLUE4	BLUE4	BLUE4
19				WHITE4	WHITE4	WHITE4
20						RED5
21						GREEN5
22						BLUE5
23						WHITE5
24						RED6
25						GREEN6

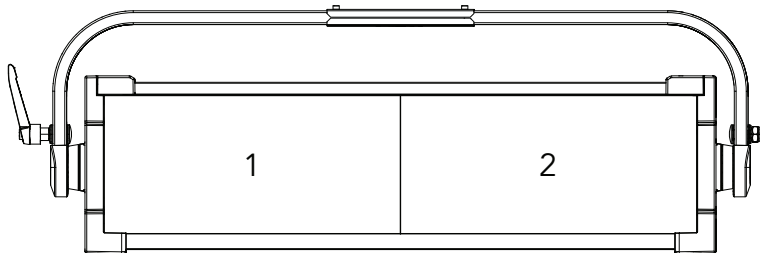
Channel	1	2V	2H	4V	4H	8
26						BLUE6
27						WHITE6
28						RED7
29						GREEN7
30						BLUE7
31						WHITE7
32						RED8
33						GREEN8
34						BLUE8
35						WHITE8

PIXEL LAYOUT

The following drawing describes the pixels distribution and their position on the product light emitting surface. Check the DMX mode selected to identify the related Pixel layout.



1 Pixel



2 Pixel

PIXEL

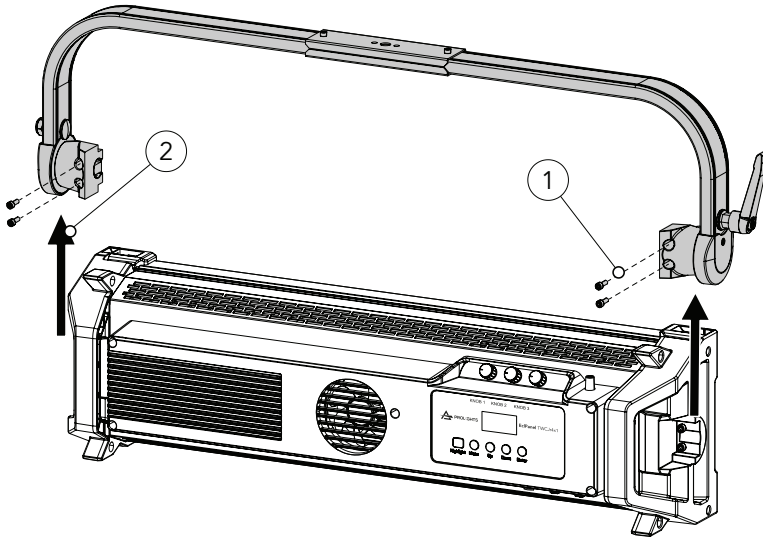
1	2V	2H	4H	4V	8	FUNCTION	DMX Value	Default
1	1	1	1	1	1	DIMMER 0÷100%	000 ÷ 255	000
2	2	2	2	2	2	STROBE Closed Strobe slow to fast Open Random slow to fast Open	000 ÷ 030 031 ÷ 100 101 ÷ 130 131 ÷ 200 201 ÷ 255	255
3	3	3	3	3	3	DIMMER FADE Read from menu 0÷100%	000 ÷ 000 001 ÷ 255	000
4						RED 0÷100%	000 ÷ 255	255
5						GREEN 0÷100%	000 ÷ 255	255
6						BLUE 0÷100%	000 ÷ 255	255
7						WHITE 0÷100%	000 ÷ 255	255
	4	4	4	4	4	RED1 0÷100%	000 ÷ 255	255
	5	5	5	5	5	GREEN1 0÷100%	000 ÷ 255	255
	6	6	6	6	6	BLUE1 0÷100%	000 ÷ 255	255
	7	7	7	7	7	WHITE1 0÷100%	000 ÷ 255	255
	8	8	8	8	8	RED2 0÷100%	000 ÷ 255	255
	9	9	9	9	9	GREEN2 0÷100%	000 ÷ 255	255
	10	10	10	10	10	BLUE2 0÷100%	000 ÷ 255	255
	11	11	11	11	11	WHITE2 0÷100%	000 ÷ 255	255
			12	12	12	RED3 0÷100%	000 ÷ 255	255
			13	13	13	GREEN3 0÷100%	000 ÷ 255	255
			14	14	14	BLUE3 0÷100%	000 ÷ 255	255
			15	15	15	WHITE3 0÷100%	000 ÷ 255	255
			16	16	16	RED4 0÷100%	000 ÷ 255	255
			17	17	17	GREEN4 0÷100%	000 ÷ 255	255
			18	18	18	BLUE4 0÷100%	000 ÷ 255	255

1	2V	2H	4H	4V	8	FUNCTION	DMX Value	Default
			19	19	19	WHITE4 0÷100%	000 ÷ 255	255
					20	RED5 0÷100%	000 ÷ 255	255
					21	GREEN5 0÷100%	000 ÷ 255	255
					22	BLUE5 0÷100%	000 ÷ 255	255
					23	WHITE5 0÷100%	000 ÷ 255	255
					24	RED6 0÷100%	000 ÷ 255	255
					25	GREEN6 0÷100%	000 ÷ 255	255
					26	BLUE6 0÷100%	000 ÷ 255	255
					27	WHITE6 0÷100%	000 ÷ 255	255
					28	RED7 0÷100%	000 ÷ 255	255
					29	GREEN7 0÷100%	000 ÷ 255	255
					30	BLUE7 0÷100%	000 ÷ 255	255
					31	WHITE7 0÷100%	000 ÷ 255	255
					32	RED8 0÷100%	000 ÷ 255	255
					33	GREEN6 0÷100%	000 ÷ 255	255
					34	BLUE6 0÷100%	000 ÷ 255	255
					35	WHITE6 0÷100%	000 ÷ 255	255

14 - ACCESSORIES INSTALLATION

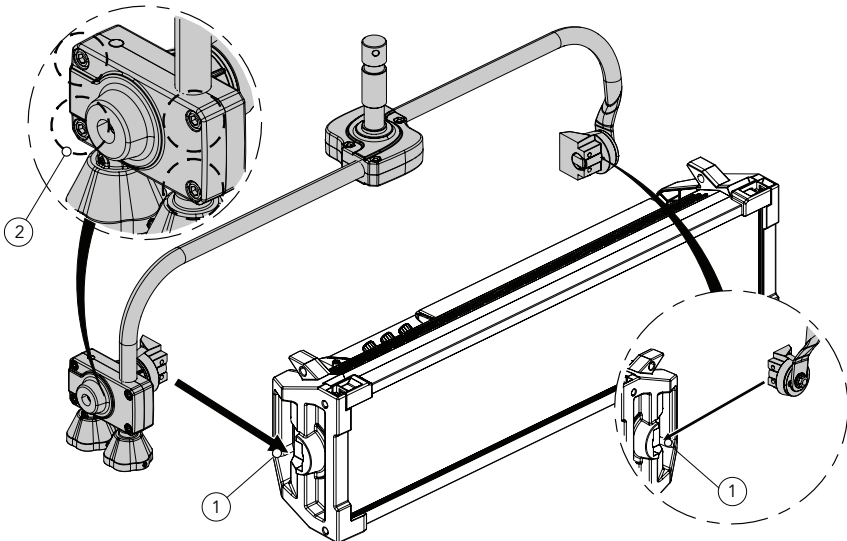
POLE OPERATED YOKE (CODE ECLPANELJR4X1POYO - OPTIONAL)

1



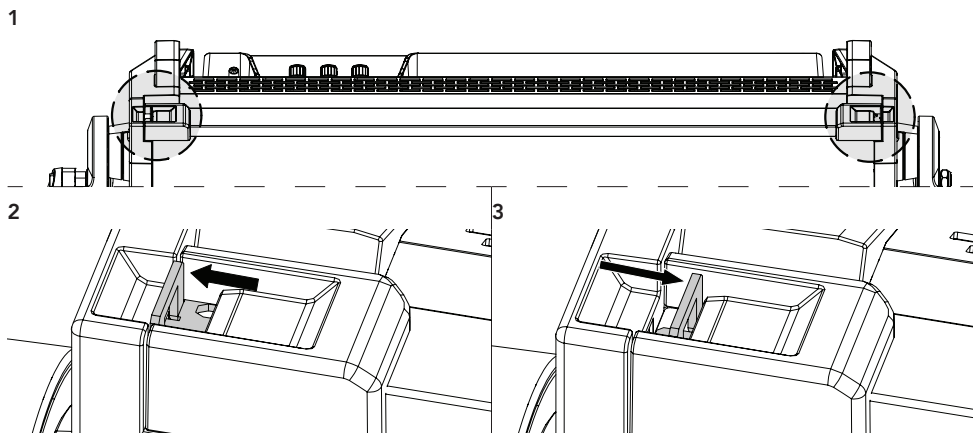
Loosen and remove the four screws (1). Then remove the bracket (2).

2

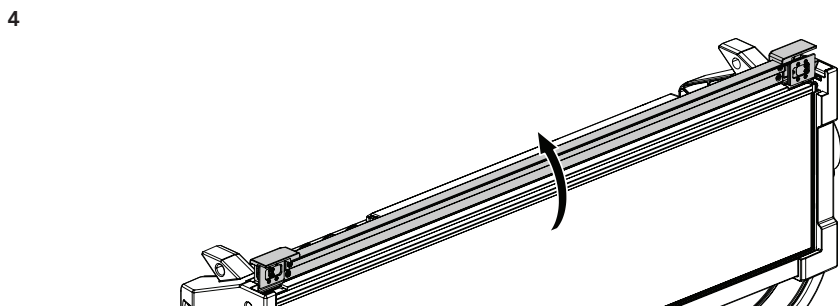


Mount the Pole Operated bracket Yoke (1) and tighten the screws (2).

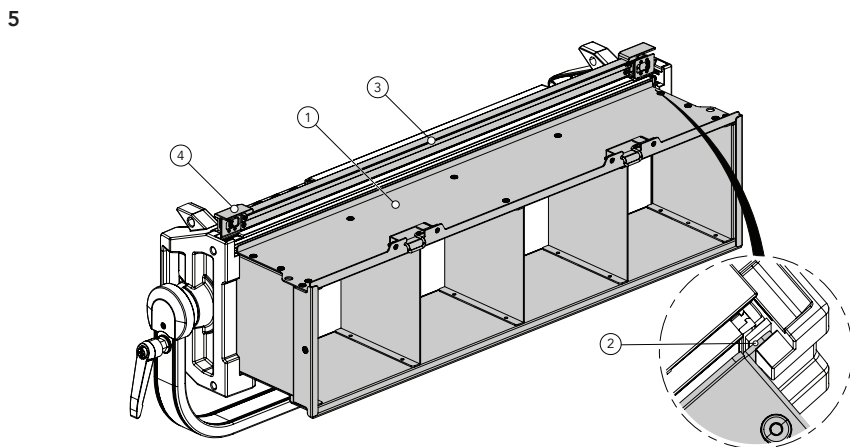
Fig. 08



Slide the tabs placed on the top (1), inward the product (2).



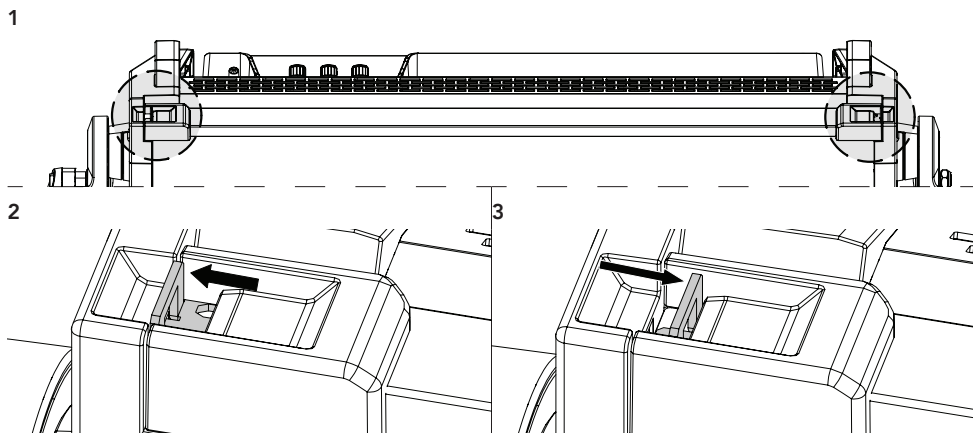
Open the holder plate by turning it upwards (4).



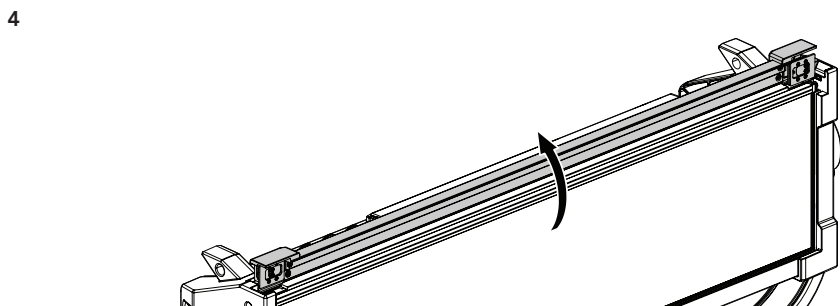
Insert the egg crate (1), inside the track guides (2). Then close the plate (3) and re-position the tabs outwards (4 - see image 2).

Fig. 09

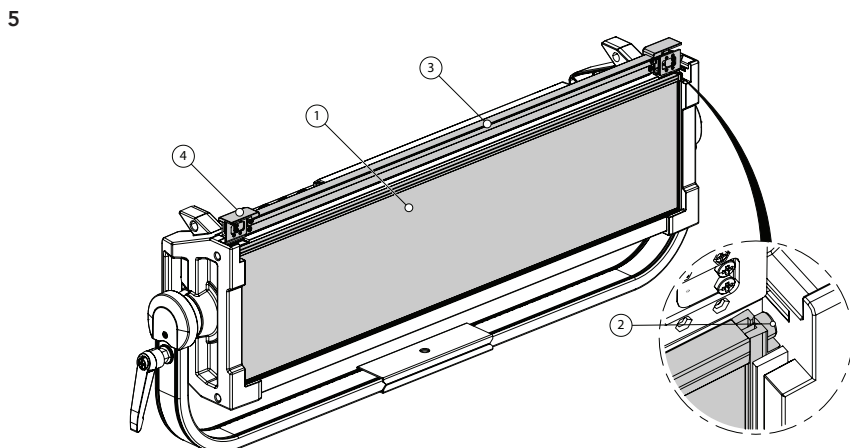
DIFFUSION FILTERS (CODES EPTWCJR4X1FILTINT / HD / MD / LD - OPTIONAL)



Slide the tabs placed on the top (1), inward the product (3).



Open the holder plate by turning it upwards (4).

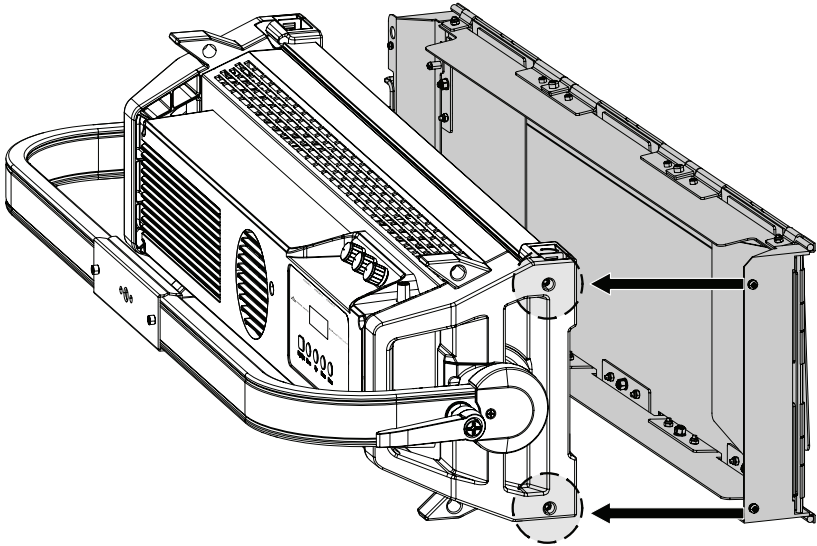


Insert the diffuser filter (1), inside the track guides (2). Then close the plate (3) and re-position the tabs outwards (4 - see image 2).

Fig. 10

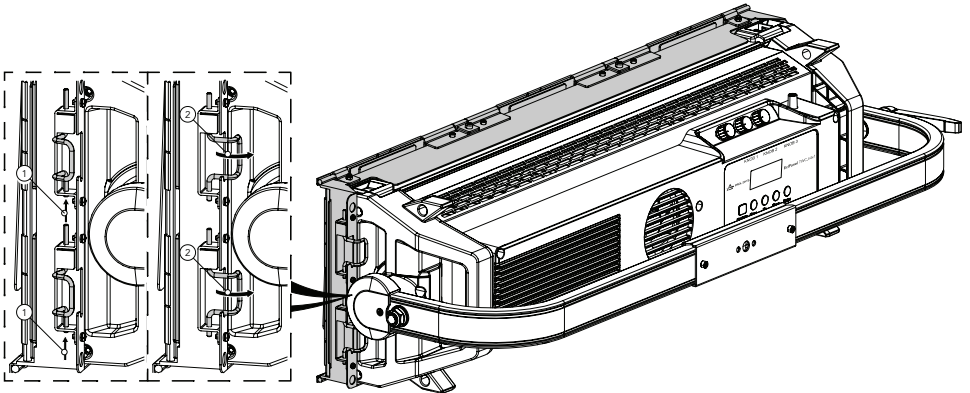
BARN DOOR (CODE EPTWCJR4X1BD - OPTIONAL)

1



Insert the two positioning and fixing pins on the hardware into the holes provided on the left side edge of the product.

2

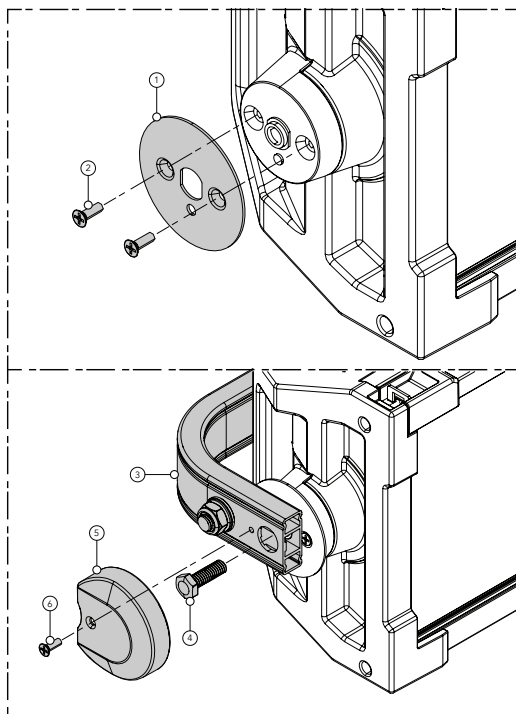
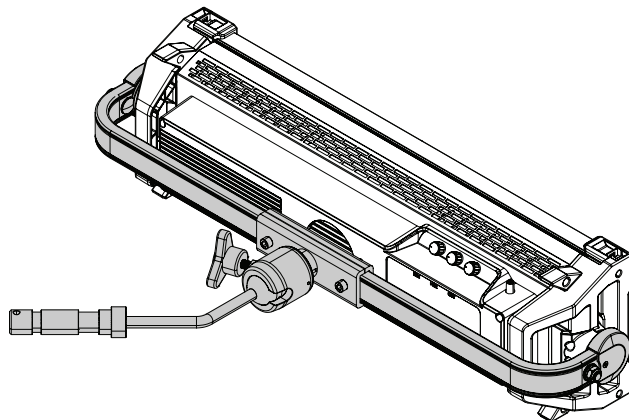


Apply pressure from below (1) and simultaneously rotate the clips towards the body of the product (2). Then adjust the angle of the four leaves to focus the beam.

NOTE: To remove the accessory, reverse the procedure.

Fig. 11

1



Remove the bracket, (see point 1, paragraph 13). Mount the center mounting bracket as follows:

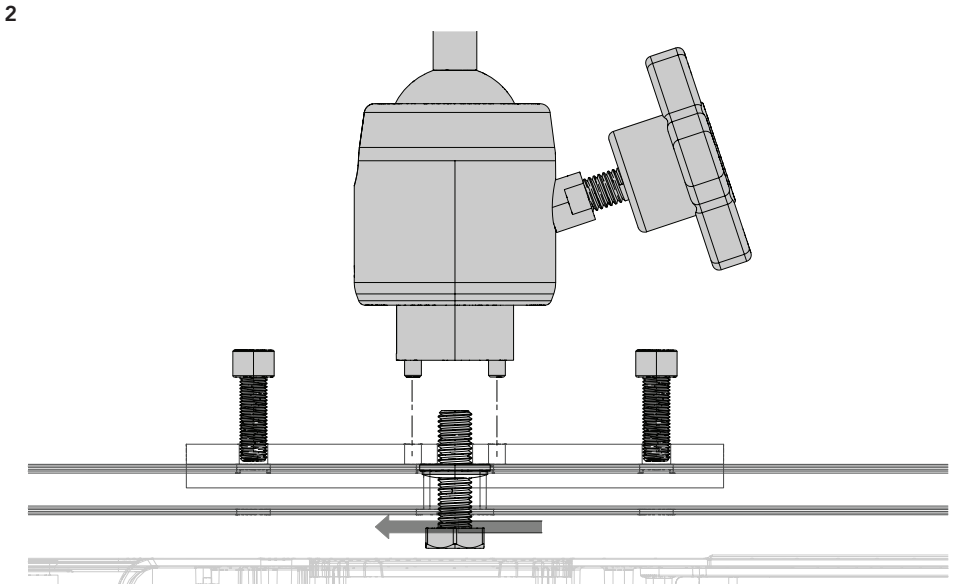
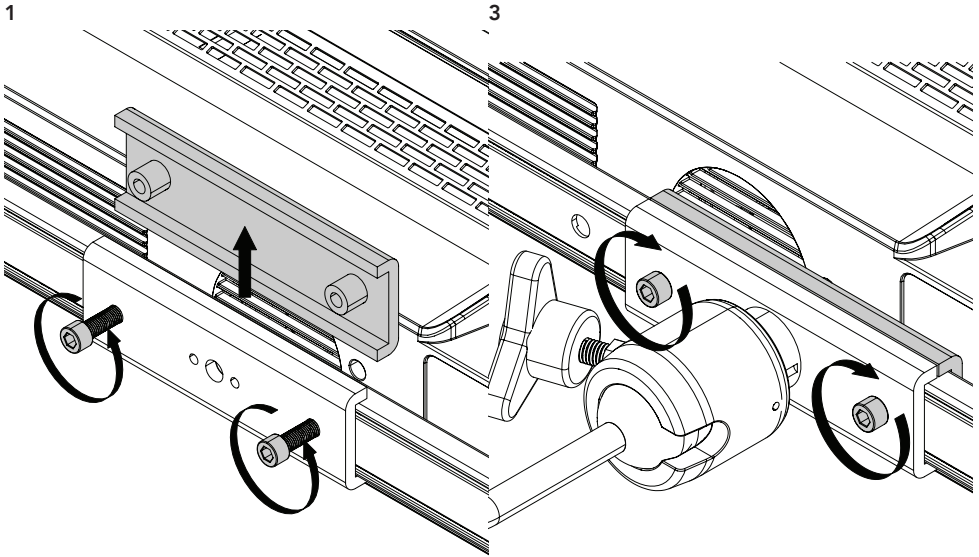
1. Mount the prevent slice (1) on the bracket holder part using the two screws (2).
2. Mount the center mount bracket (3) on the prevent slice (2) using the carriage screw (4).
3. Mount the plastic cover (5) on the center mount bracket with the screw (6).

NOTE: the assembly operation must be carried out on both sides.

NOTE: To remove the accessory, reverse the procedure.

Fig. 12

BALL HEAD JOINT (CODE EPTWCBHEAD - OPTIONAL)



- Remove the bracket, (see point 1, paragraph 13). Mount the center mounting bracket as follows
1. Loosen the two screws and remove the internal reinforced plate for bracket (1).
 2. Screw the ball head joint to the bracket using the marked screw. The anti-rotation pins must coincide with the provided holes (2)
 3. Mount the marked internal reinforced plate for bracket by tightening the two screws (3).
- NOTE: To remove the accessory, reverse the procedure.

Fig. 13

15 - MAINTENANCE

MAINTENANCE AND CLEANING THE PRODUCT

WARNING: Disconnect from the mains before starting any maintenance work

It is recommended to clean the front at regular intervals, from impurities caused by dust, smoke, or other particles to ensure that the light is radiated at maximum brightness.

- For cleaning, disconnect the main plug from the socket. Use a soft, clean cloth moistened with a mild detergent. Then carefully wipe the part dry. For cleaning other housing parts use only a soft, clean cloth. Never use a liquid, it might penetrate the unit and cause damage to it.
- The user must clean the product periodically to maintain optimum performance and cooling. The user may also upload firmware (product software) to the fixture via the DMX signal input port or USB port using firmware and instructions from PROLIGHTS.
- The frequency of such maintenance operations is to be performed according to various factors, such as the amount of the use and the condition of the installation environment (air humidity, presence of dust, salinity, etc.). It is recommended that the product is subject to annual service by a qualified technician for special maintenance involving at least the following procedures:
- General cleaning of internal parts.
- Restoring lubrication of all parts subject to friction, using lubricants specifically supplied by PROLIGHTS.
- General visual check of the internal components, cabling, mechanical parts, etc.
- Electrical, photometric and functional checks; eventual repairs.
- Cleaning the lenses. Only use neutral soap and water to clean the lenses, then dry it carefully with a soft, non-abrasive cloth.

WARNING: the use of alcohol or any other detergent could damage the lenses.

- All other service operations on the product must be carried out by PROLIGHTS, its approved service agents or trained and qualified personnel.
- It is PROLIGHTS policy to apply the strictest possible calibration procedures and use the best quality materials available to ensure optimum performance and the longest possible component lifetimes. However, optical components are subject to wear and tear over the life of the product, resulting in gradual changes in colours over many thousands of hours of use. The extent of wear and tear depends heavily on operating conditions and environment, so it is impossible to specify precisely whether and to what extent performance will be affected. However, you may eventually need to replace optical components if their characteristics are affected by wear and tear after an extended period of use and if you require fixtures to perform within very precise optical and colour parameters.
- Do not apply filters, lenses or other materials on lenses or other optical components. Use only accessories approved by PROLIGHTS.

REPLACING THE FUSE

WARNING: Before replacing the fuse, unplug the product from the mains.

- Remove the old fuse from the housing with a suitable screwdriver (anticlockwise) and replace it with one of the same type and of the same classification (250V,T3.15A, Ø5X20).


VISUAL CHECK OF PRODUCT HOUSING

- The parts of the product cover/housing should be checked for eventual damages and breaking start at least every two months. In addition, especially the parts of the front lens holder have to be checked mechanically (by means of movement by the part) if it is firmly fastened to the fixture. If hint of a crack is found on some plastic part, do not use the product until the damaged part will be replaced.
- Cracks or another damages of the cover/housing parts can be caused by the product transportation or manipulation and also ageing process may influence materials.
- This checking is necessary for both fixed installations and preparing product for renting. Any free moving parts inside of the product, cracked cover/housing or any part of front lens not sitting properly in place need to be immediately replaced.

TROUBLESHOOTING

Problems	Possible causes	Checks and remedies
Product doesn't power ON	<ul style="list-style-type: none"> No power to the product. 	<ul style="list-style-type: none"> Check that power is switched ON and cables are plugged in.
	<ul style="list-style-type: none"> Fuse blown or internal fault. 	<ul style="list-style-type: none"> Check if the Fuse is intact and eventually replace it if necessary. Contact the PROLIGHTS Service or authorized service partner. Do not remove parts and/or covers, or carry out any repairs or service that are not described in this Safety and User Manual unless you have both authorization from PROLIGHTS and the service documentation.
Product reset correctly but does not respond correctly to the controller.	<ul style="list-style-type: none"> Bad signal connection. 	<ul style="list-style-type: none"> Inspect connections and cables. Fix eventual bad connections. Repair or replace damaged cables.
	<ul style="list-style-type: none"> Signal connection not terminated. 	<ul style="list-style-type: none"> Insert DMX termination plug in signal output socket of the last product on the signal line.
	<ul style="list-style-type: none"> Incorrect addressing of the product. 	<ul style="list-style-type: none"> Check the product address and control settings.
	<ul style="list-style-type: none"> One of the product is defective and is corrupting the signal transmission on the signal line. 	<ul style="list-style-type: none"> Unplug the XLR in and out connectors and connect them directly together to bypass one product at a time until normal operation is regained. Once found the error, have that fixture serviced by a qualified technician.
Timeout error after fixture reset.	<ul style="list-style-type: none"> One or more hardware components requires mechanical adjustments. 	<ul style="list-style-type: none"> Check product stored error messages for more information. Contact PROLIGHTS Service or an authorized service partner.
Mechanical effect loses position	<ul style="list-style-type: none"> Mechanical hardware require cleaning, adjustment or lubrication. 	<ul style="list-style-type: none"> Check product stored error messages for more information. Contact PROLIGHTS Service or an authorized service partner.
Light output turn OFF Intermittently	<ul style="list-style-type: none"> Fixture is too hot. 	<ul style="list-style-type: none"> Check product stored error messages. Allow product to cool. Clean the product and airflow filters. Reduce ambient temperature.
	<ul style="list-style-type: none"> Hardware failure (temperature sensor, fans, Light source...). 	<ul style="list-style-type: none"> Check product stored error messages for more information. Contact PROLIGHTS Service or an authorized service partner.
General low light intensity	<ul style="list-style-type: none"> Dirty lens assembly 	<ul style="list-style-type: none"> Clean the fixture regularly.
	<ul style="list-style-type: none"> Dirty or damaged filters 	<ul style="list-style-type: none"> Install lens assembly properly.

Contact an authorized service center in case of technical problems or not reported in the table can not be resolved by the procedure given in the table.



PROLIGHTS is a trademark of
MUSIC & LIGHTS S.r.l.
musiclights.it

Via A.Olivetti snc
04026 - Minturno (LT) ITALY
Tel: +39 0771 72190

prolights.it
support@prolights.it