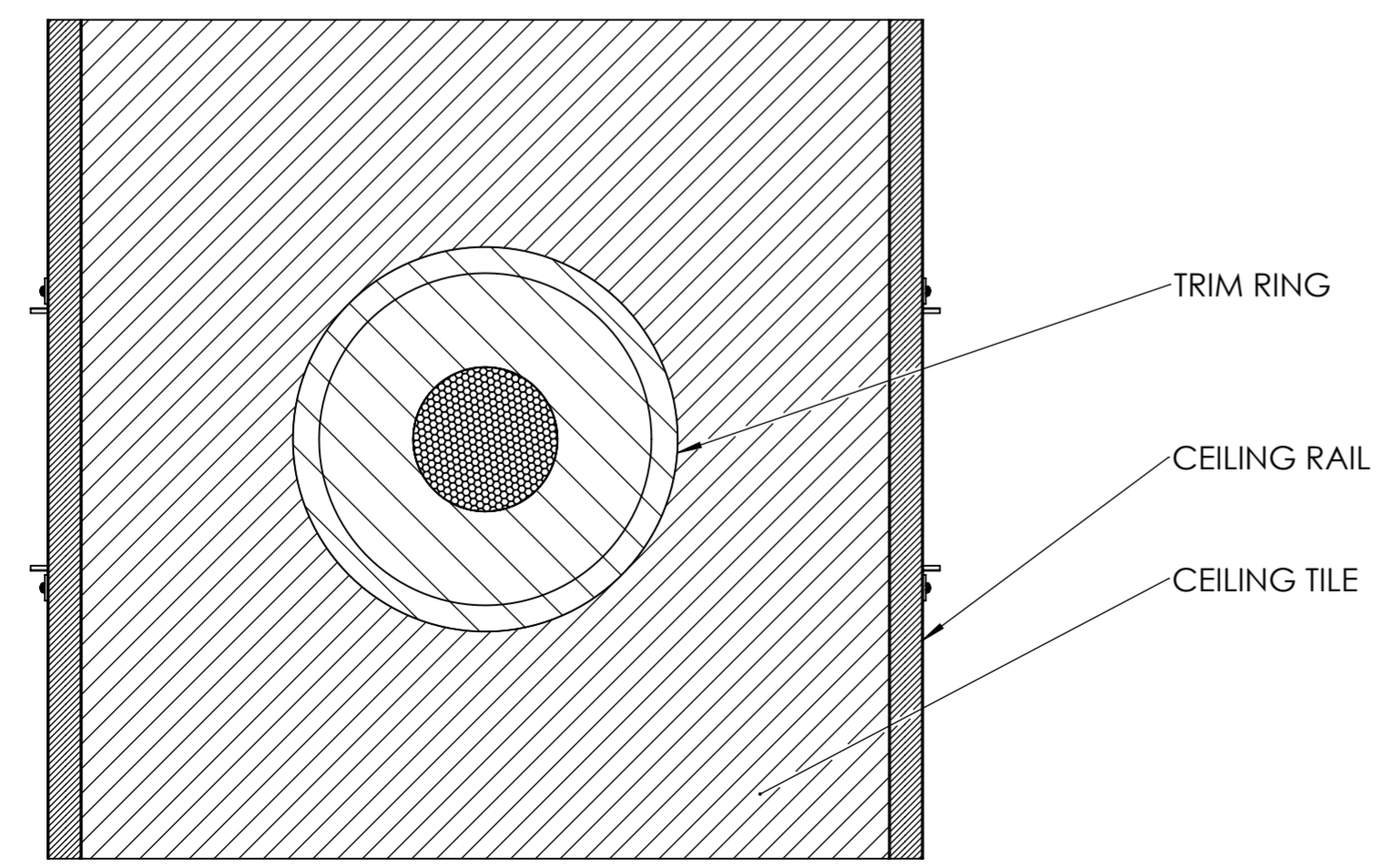
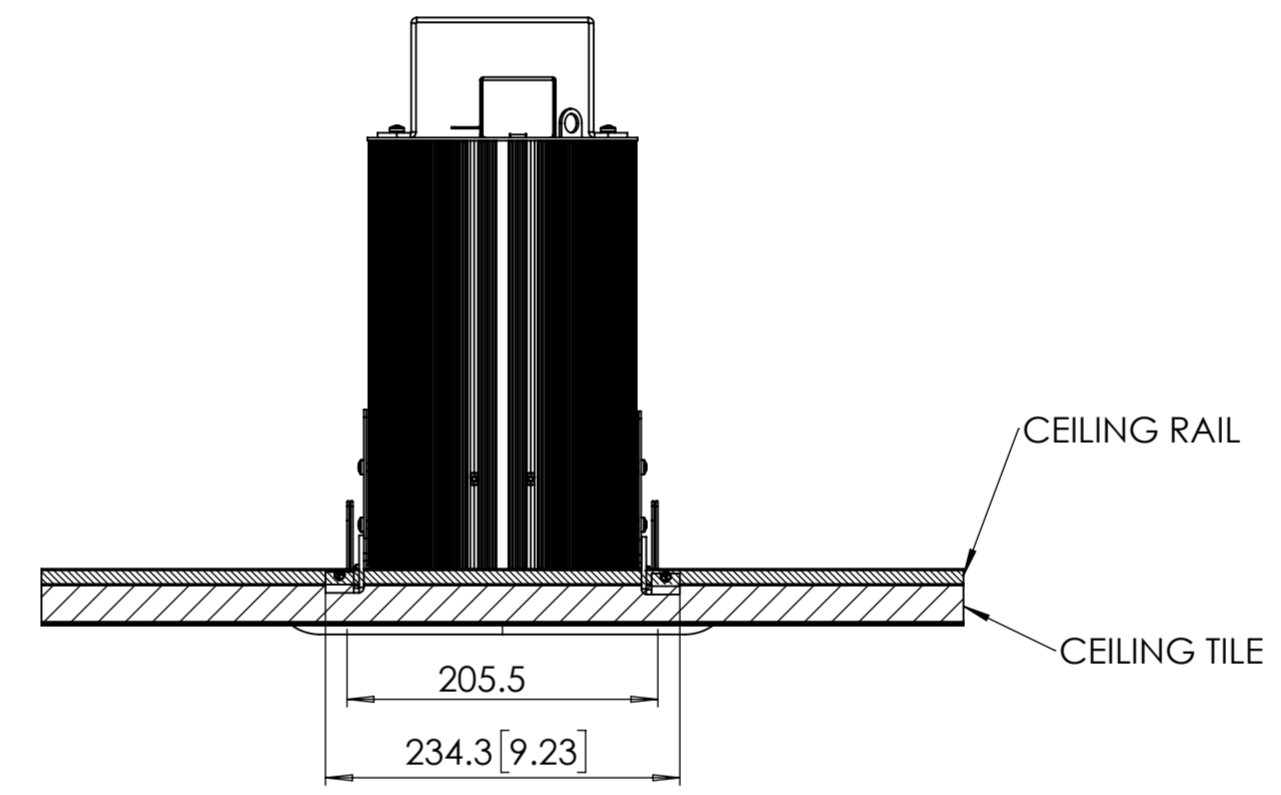
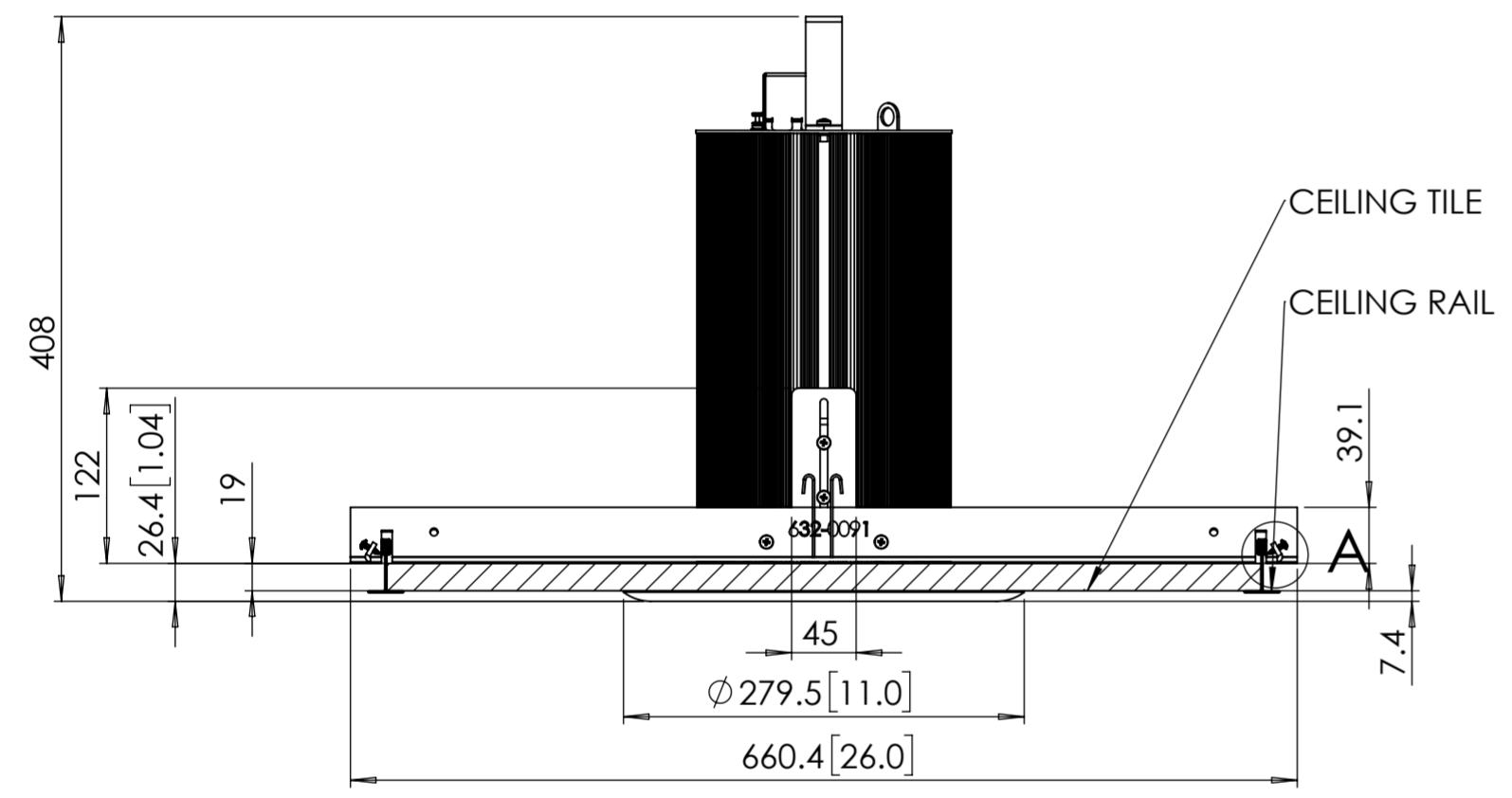
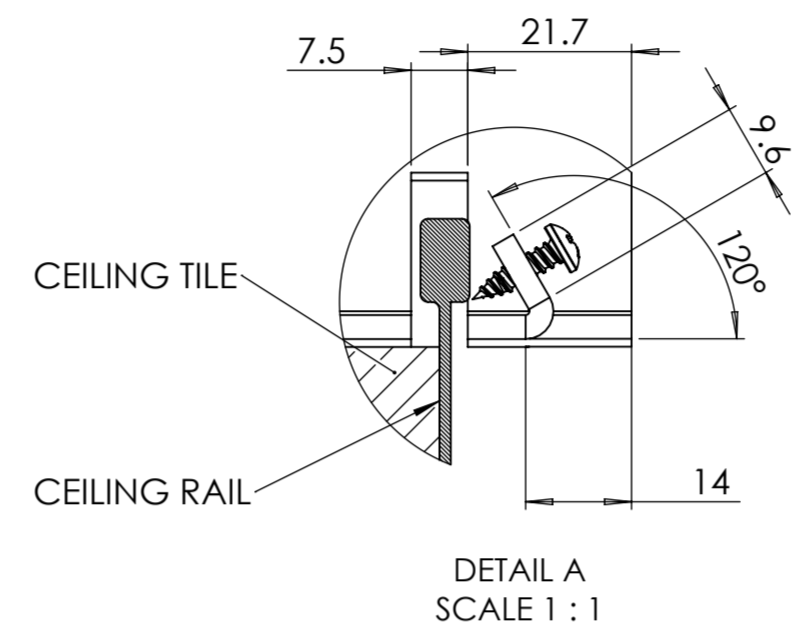
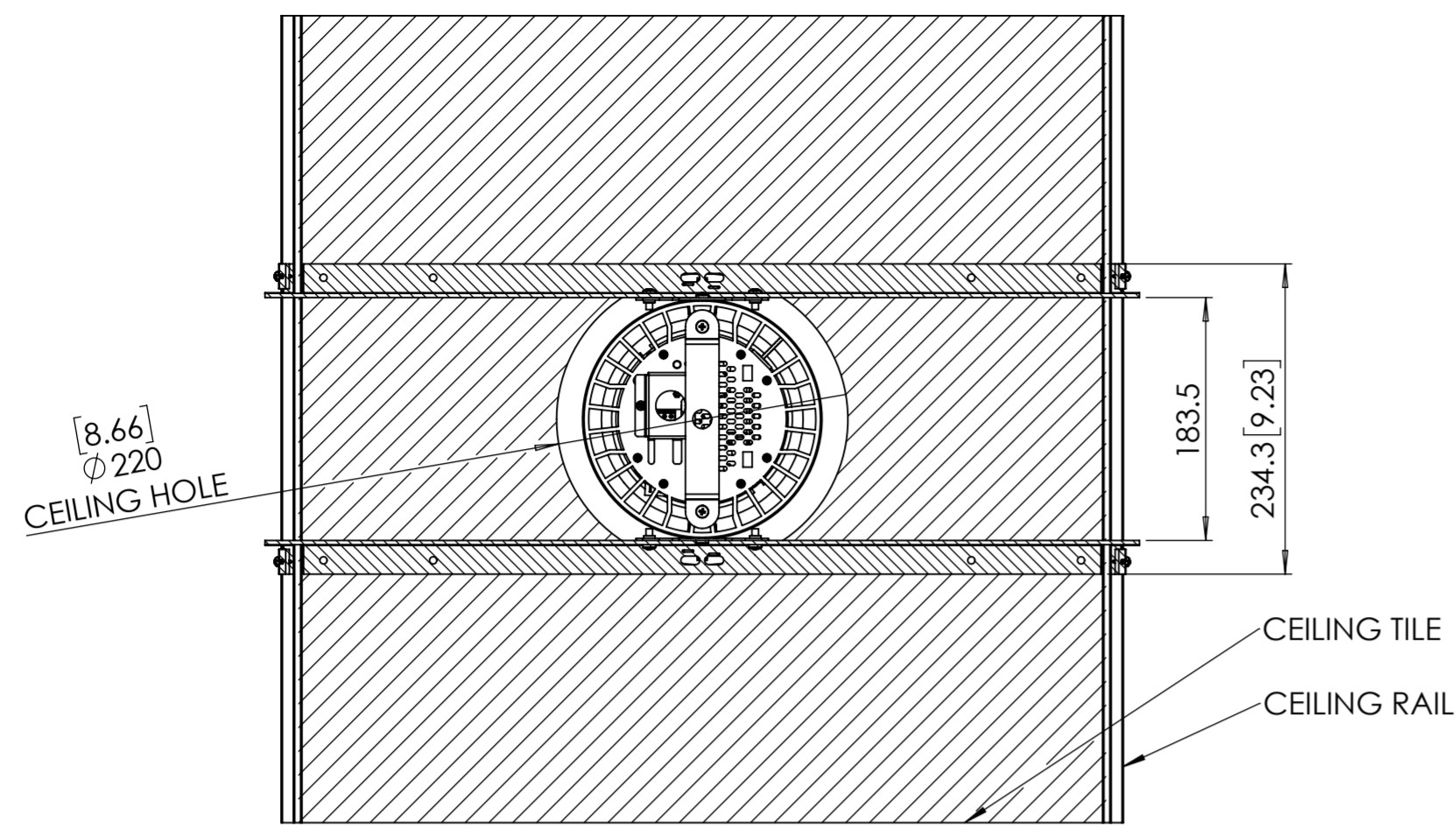


12 11 10 9 8 7 6 5 4 3 2 1

H
G
F
E
D
C
B
A

H
G
F
E
D
C
B
A



NOTE:

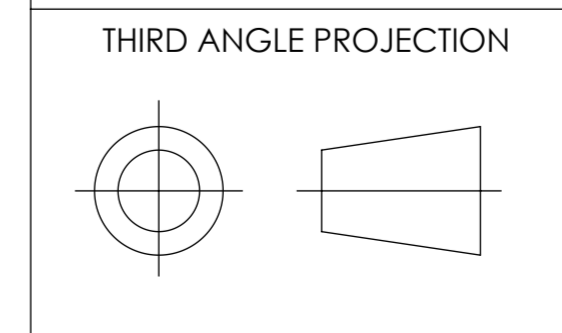
1. The Angle Supports of the Inspire™ fixture must be fastened to the ceiling with the appropriate load capacity.
2. The use of a safety rated chain or other arrest cable is mandatory as per standard rigging practice.
3. While the supplied rails can support the weight of the fixture, it is highly important to have the fixture secured with a safety cable.
4. CEILING TILE, CEILING RAIL, SAFETY CHAIN, LIGHT FIXTURE are not provided in the kit.



ALL INFORMATION CONTAINED IN THIS DOCUMENT IS PROPERTY OF CHROMA-Q AND MAY NOT BE REPRODUCED IN WHOLE OR PART WITHOUT PERMISSION OF CHROMA-Q

UNLESS OTHERWISE SPECIFIED ALL DIMENSIONS ARE IN MM [INCHES]

TITLE:
INSPIRE™ SUSPENDED CEILING BRACKET w/TRIM RING KIT BK/WT LINE DRAWING



THIRD ANGLE PROJECTION	SIZE A2	PART NO. 632-9060/632-9061	REV -
	SCALE: 1:10	WEIGHT:	SHEET 1 OF 1

12 11 10 9 8 7 6 5 4 3 2 1